

**CAUTION**



To prevent serious personal injury and/or property damage, operate all rKITtely controlled models in a responsible manner as outlined herein.

◆ **Safety Precautions**

- 1.1 This radio-controlled model is not a toy, it is designed for persons 14 years of age or older.
- 1.2 Do not operate your vehicle on unsafe terrain; always pay attention to your surroundings.
- 1.3 Never operate your vehicle on public roadways, around moving people, animals, or operating machinery.
- 1.4 Keep clear of power lines and high-powered radio equipment to minimize radio frequency interference.
- 1.5 Since this vehicle contains small components, it may be a choking hazard for small children. Keep the vehicle and any spare parts out of reach of small children.

◆ **Inspect your radio-controlled model before operation**

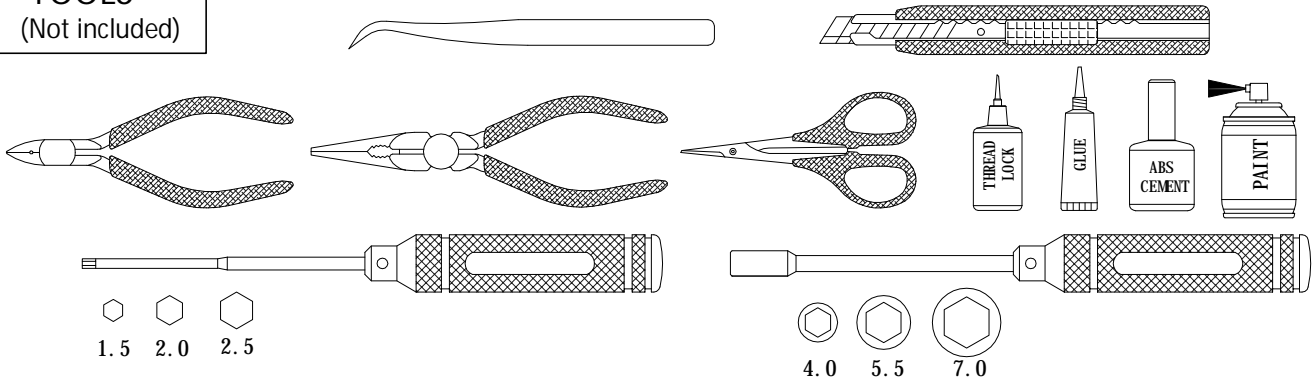
- 2.1 Ensure that all screws are properly tightened. Use thread-lock to secure any metal to metal contacts- especially for components designed to withstand torque (servo mounts, motor mount, drive shaft grub screws etc.).
- 2.2 Always check the battery voltage for both the transmitter and vehicle prior to operating your vehicle. Keep the batteries fresh in the transmitter and always begin your vehicle runs with a fully charged battery pack.
- 2.3 Always check that the motor and servo are operating smoothly and in the right direction prior to operation. If binding between components is observed, replace parts as necessary to reduce possibility of component or servo damage.
- 2.4 To turn on your vehicle, always power on your transmitter first, then power on your receiver.

◆ **After operating your radio-controlled model**

- 3.1 To turn off the vehicle, always power off your receiver prior to powering off your transmitter.
- 3.2 Use caution when handling the vehicle- components, especially the ESC and motor which will be hot after operation.
- 3.3 Never use battery packs which are dented or otherwise damaged. Ensure that the wire insulation is intact and that connectors are properly soldered. Lithium batteries can become fire hazards if mishandled.

**TOOLS**

(Not included)

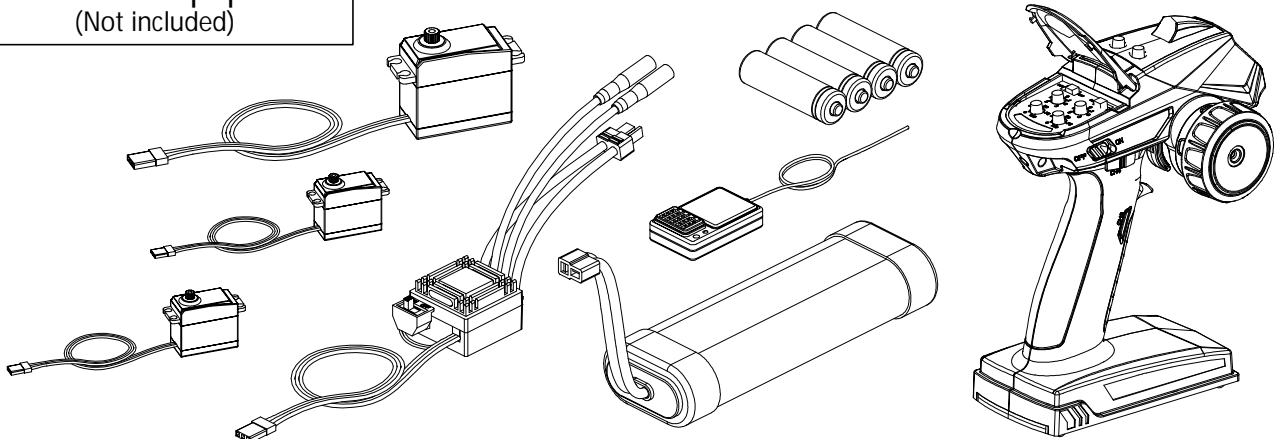


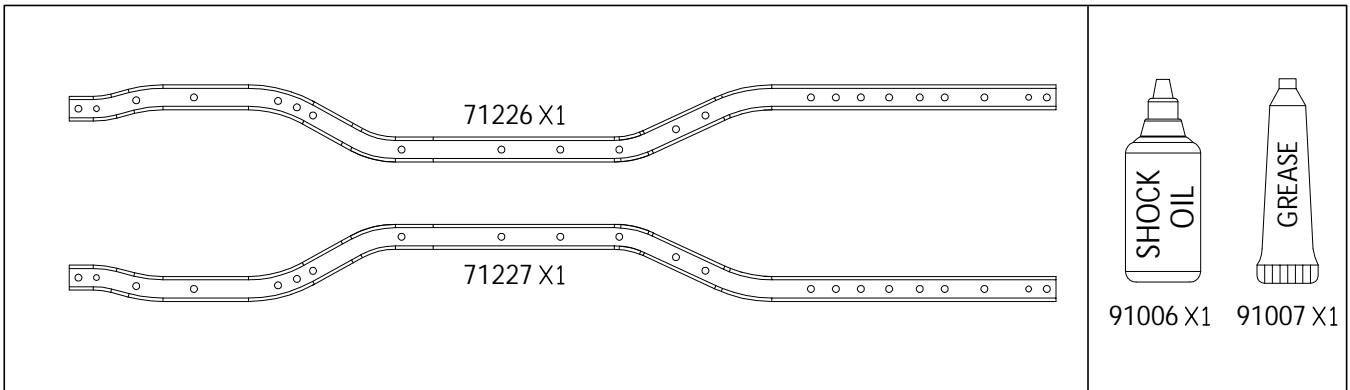
**Installation Reminder**

1. Please read the manual carefully before installation.
2. The Electronic equipment to be purchased separately:
  - (1) . 4 channels or above transmission and receiver \* 1;
  - (2) .Steering servo \* 1;
  - (3) . 25g Micro servo \*2;
  - (4) .ESC \* 1;
  - (5) . Battery (size in 150 \* 50 \* 40 mm).
3. Motor gear range: M0.6, 10t-18T.
4. Application range: Brush motor 30t - 35t; Brushless motor 1400kV.
5. Screw sealant is only used between screw and metal parts.
6. Please don't install tires or leave the model above the ground When debugging the truck.
7. Please clean the surface first before paint to truck body. Keep it in a ventilated and safe environment and away from the fire source.

**Electronic equipment**

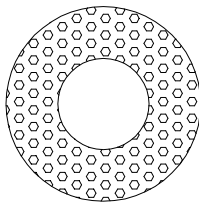
(Not included)



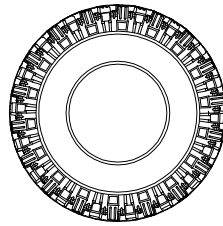


BAG(A)

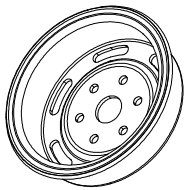
JT4(KIT)/JT4(RTR)	
1	71177 X4
2	71178 X4
3	30307 X4
4	41375 X4
5	11125 X24
6	12105 X24
7	12204 X4
8	50010 X4



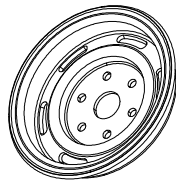
42324



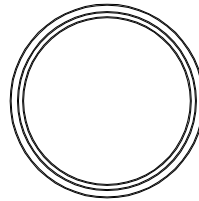
50010



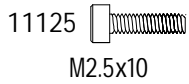
71177



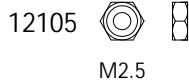
71178



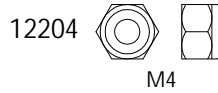
41375



M2.5x10



M2.5



M4



30307

BAG(B)

JT4(KIT)/(RTR)



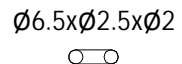
200501 X4



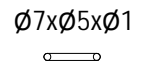
42312 X4



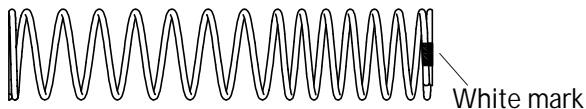
42313 X4



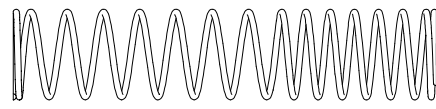
17007 X12



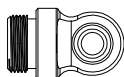
17008 X4



41802 X2(1.1)



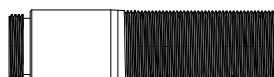
41381 X2(0.9)



41198 X4



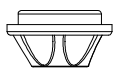
41196 X4



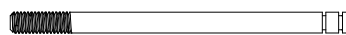
41418 X4



41197 X4



200401 X4



41195 X4

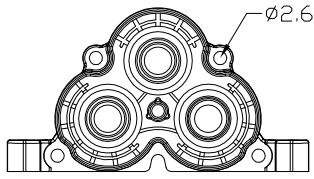
ø2.0xø5.5x0.4



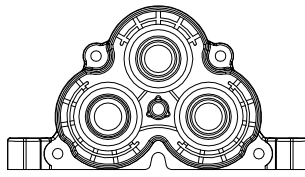
13004 X8

BAG(C)

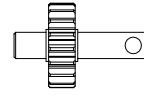
JT4(KIT)/(RTR)



215205



215206



41556 (18T)X3



15012

φ5xφ10x4 X6



72007

φ5xφ8x0.3 X6

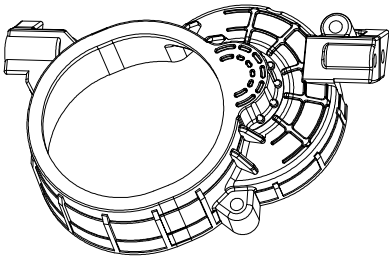


11125

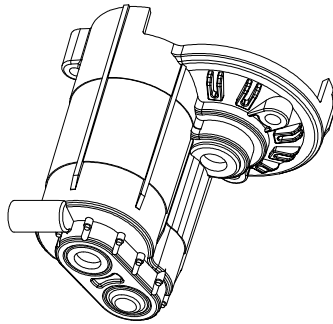
M2.5x10 X4

BAG(D)

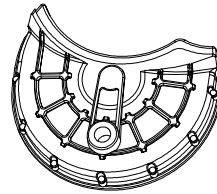
JT4(KIT)/(RTR)



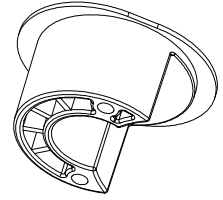
215202



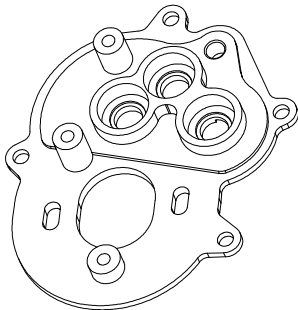
215203



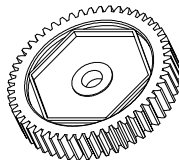
215201



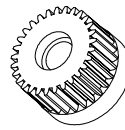
215204



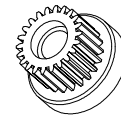
33801



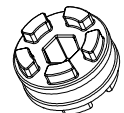
215101(52T)



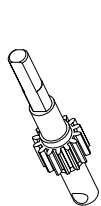
33901(29T)



33902(22T)



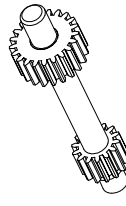
33903



41549(14T)



41302(10T)



41550 (21T-14T)

13001



φ3xφ7.2x0.5 X2



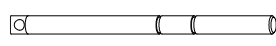
41554



41307

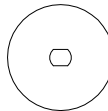


42201

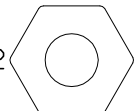


42202

71229 x2



74015 x2



14201



φ4.2xφ8x0.4 X4

42203



φ5.1xφ8x1.5 X3

72003



φ5xφ8x0.5 X3

14102



φ3xφ7x0.5 X2

15012



φ5xφ10x4 X6

15014



φ5xφ8x2.5 X4

11401



M3x4 X1

11207



M3x10 X7

11114

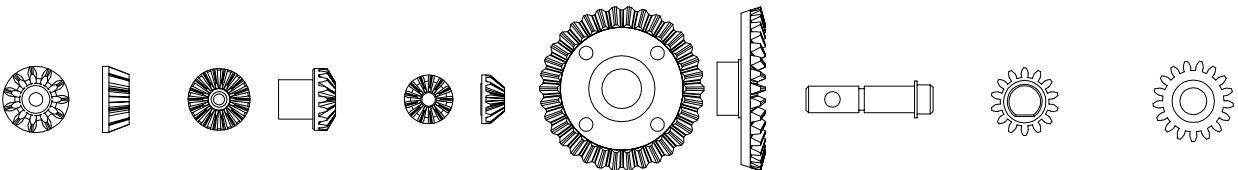
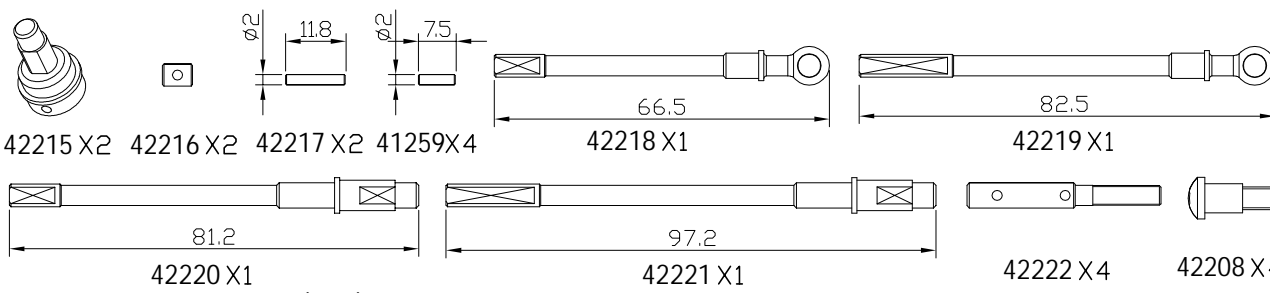
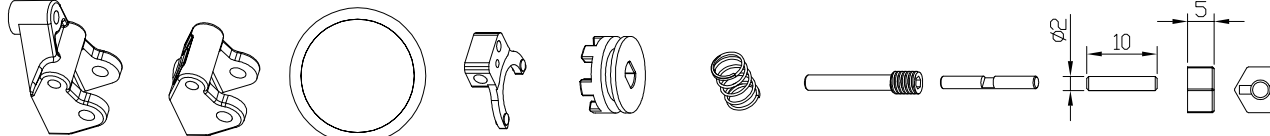
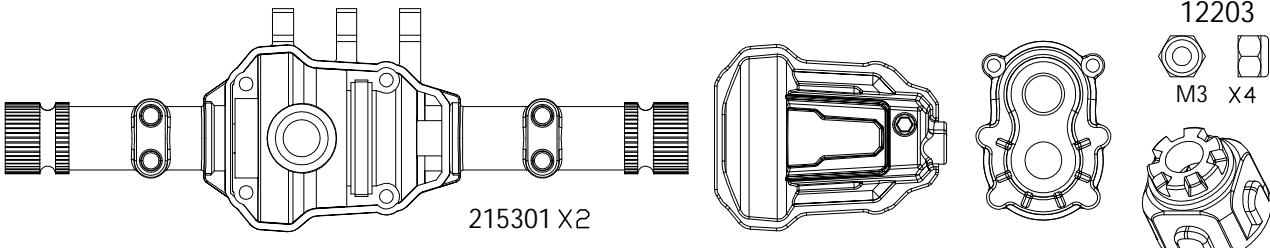
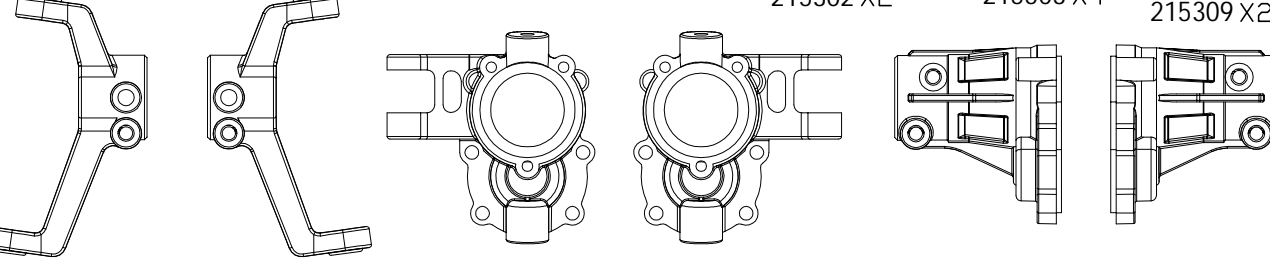
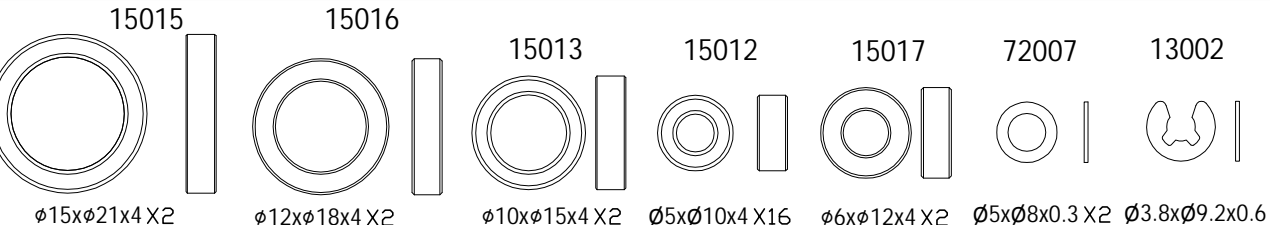
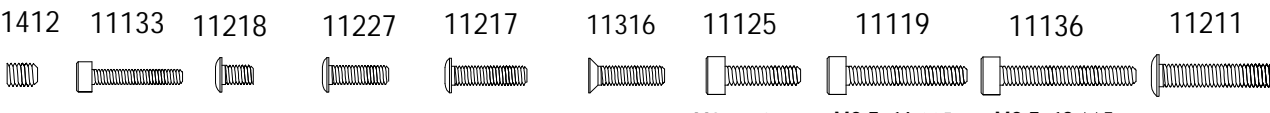


M3x25 X2

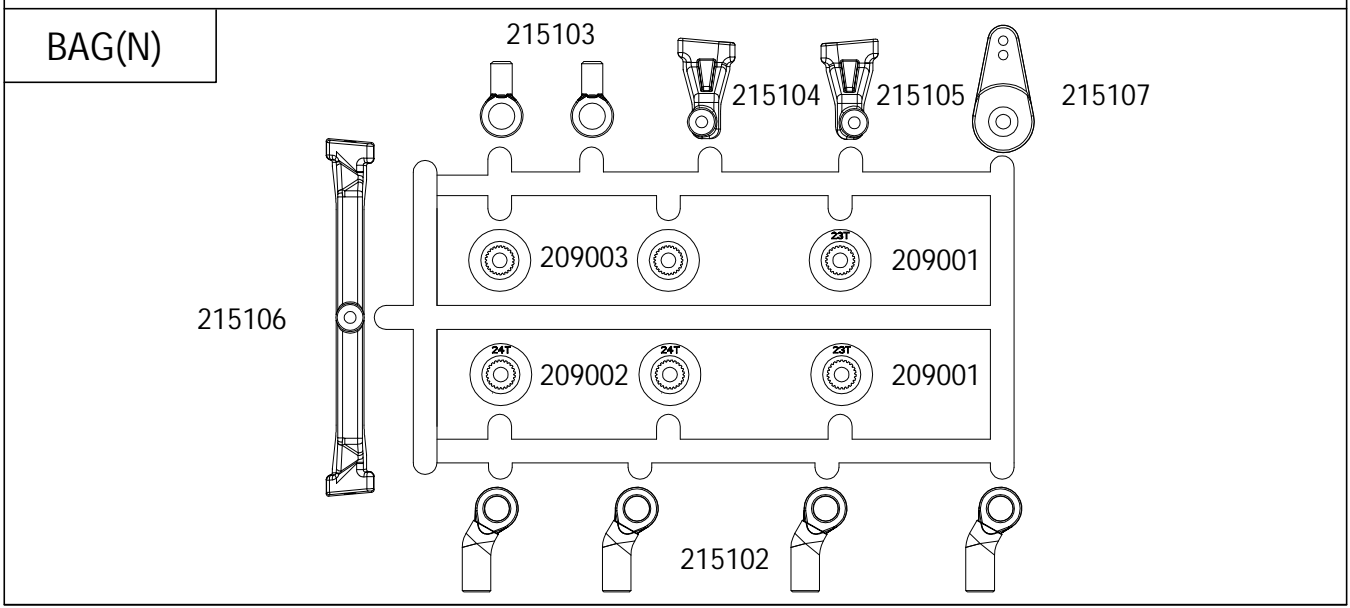
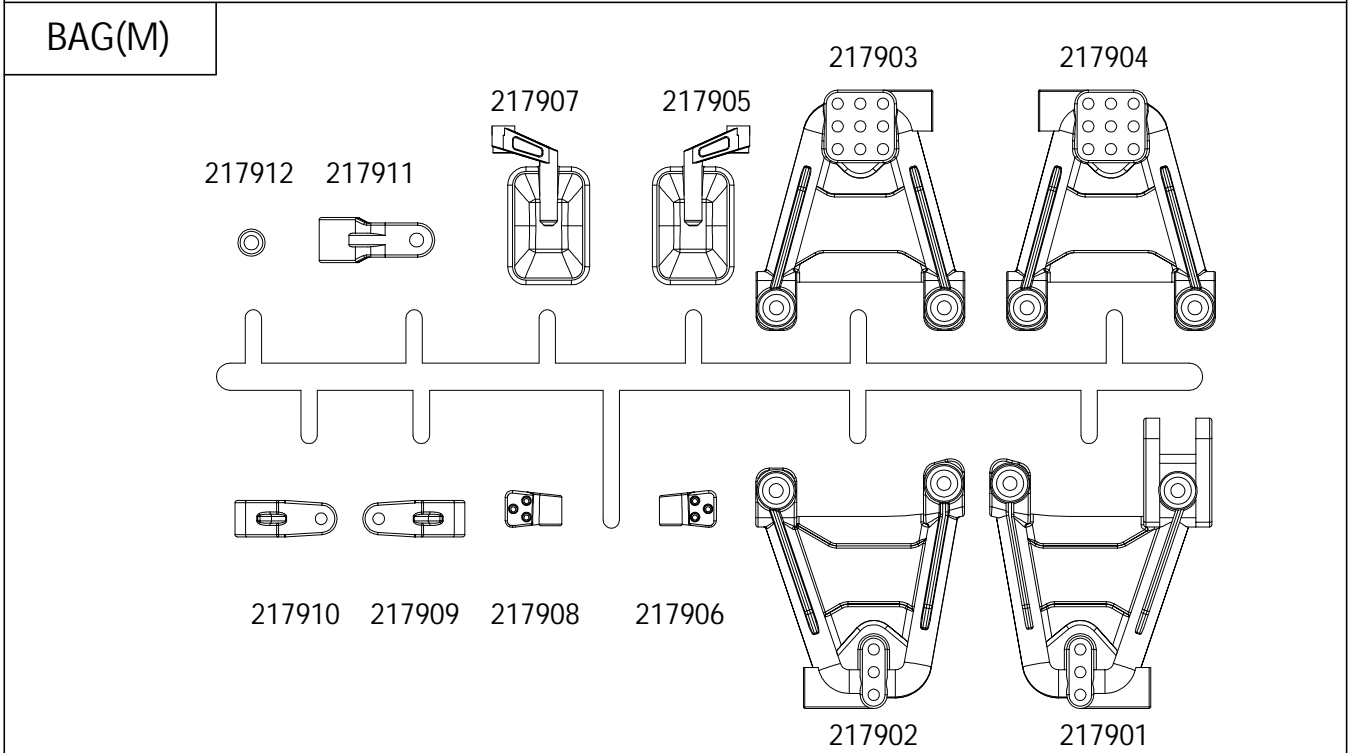
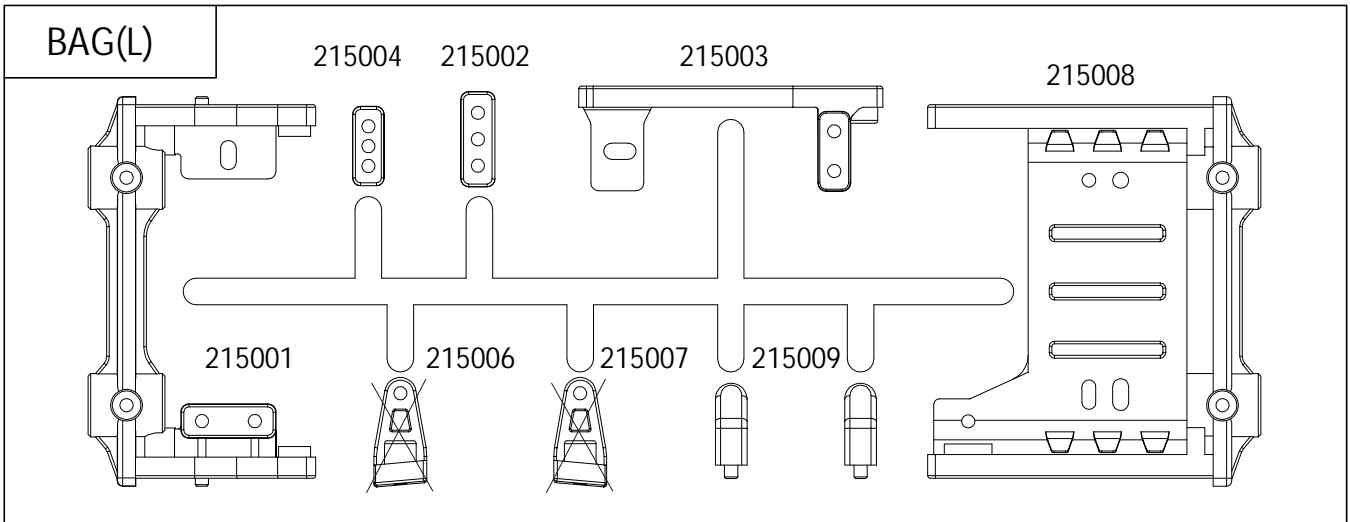
12304



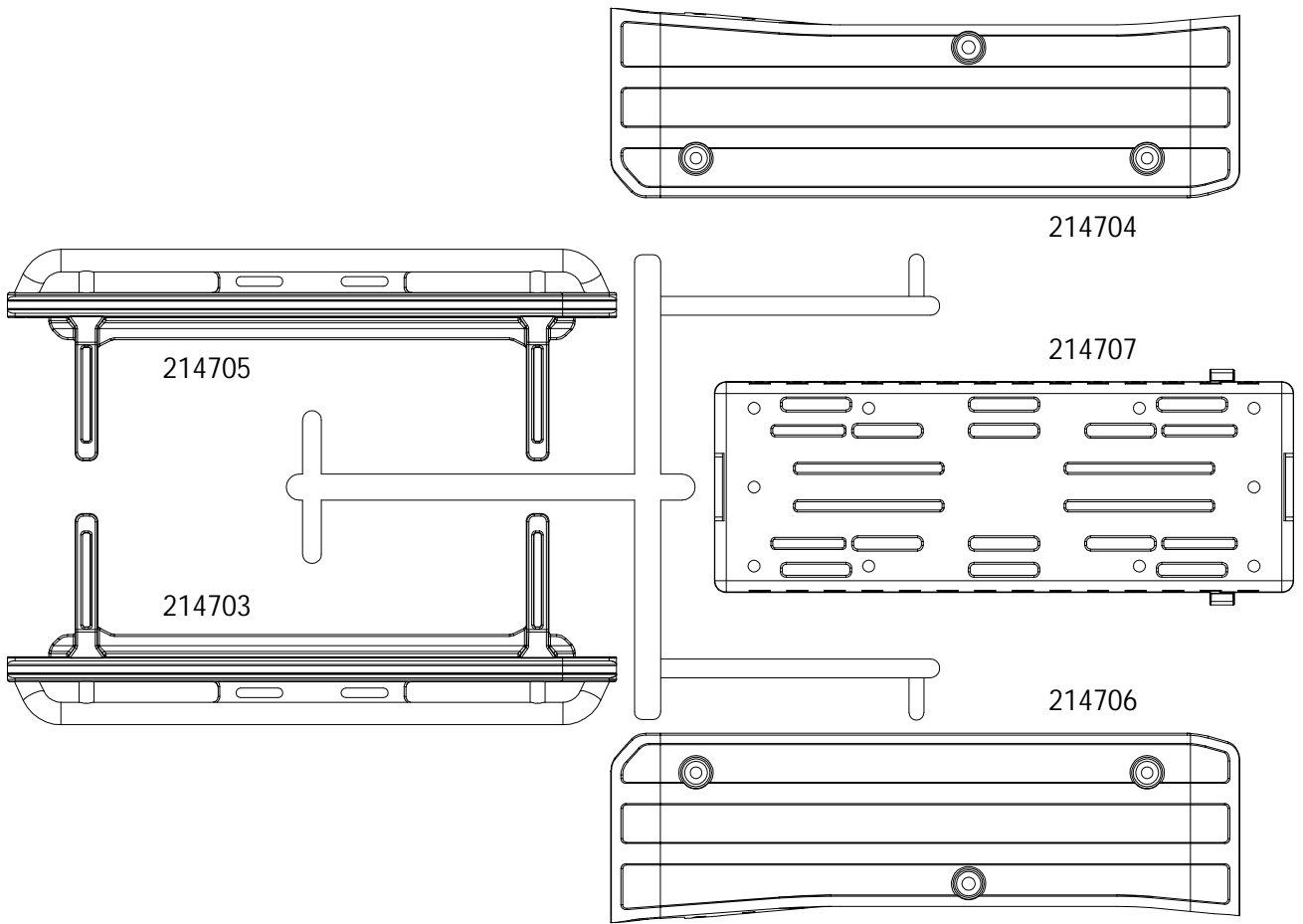
M4 X1

BAG(E)	JT4(KIT)/(RTR)									
										
<p>33905(11T) X2   33906(18T) X4   33907(13T) X8   33904(34T) X2   42214 X2   34701(14T) X4   34702(17T) X4</p>										
										
<p>42215 X2   42216 X2   42217 X2   41259X4   42218 X1   42219 X1   42220 X1   42221 X1   42222 X4   42208 X4</p>										
										
<p>215307 X1   215308 X3   75020 X2   41558 X2   33908 X2   41398 X2   42209 X2   42223 X4   41209 X4   44092 X4</p>										
										
<p>215301 X2   215302 X2   215503 X4   12203   M3 X4   215309 X2</p>										
										
<p>215502 X1   215501 X1   215505 X1   215504 X1   215506 X1   215507 X1</p>										
										
<p>15015   15016   15013   15012   15017   72007   13002</p> <p><math>\phi 15 \times \phi 21 \times 4 \times 2</math>   <math>\phi 12 \times \phi 18 \times 4 \times 2</math>   <math>\phi 10 \times \phi 15 \times 4 \times 2</math>   <math>\phi 5 \times \phi 10 \times 4 \times 16</math>   <math>\phi 6 \times \phi 12 \times 4 \times 2</math>   <math>\phi 5 \times \phi 8 \times 0.3 \times 2</math>   <math>\phi 3.8 \times \phi 9.2 \times 0.6 \times 2</math></p>										
										
<p>11412   11133   11218   11227   11217   11316   11125   11119   11136   11211</p> <p>M3x3 X6   M2x12 X4   M2.5x4 X6   M2.5x8 X8   M2.5x10 X24   M2.5x10 X2   M2.5x10 X8   M2.5x16 X2   M2.5x18 X8   M3x18 X4</p>										

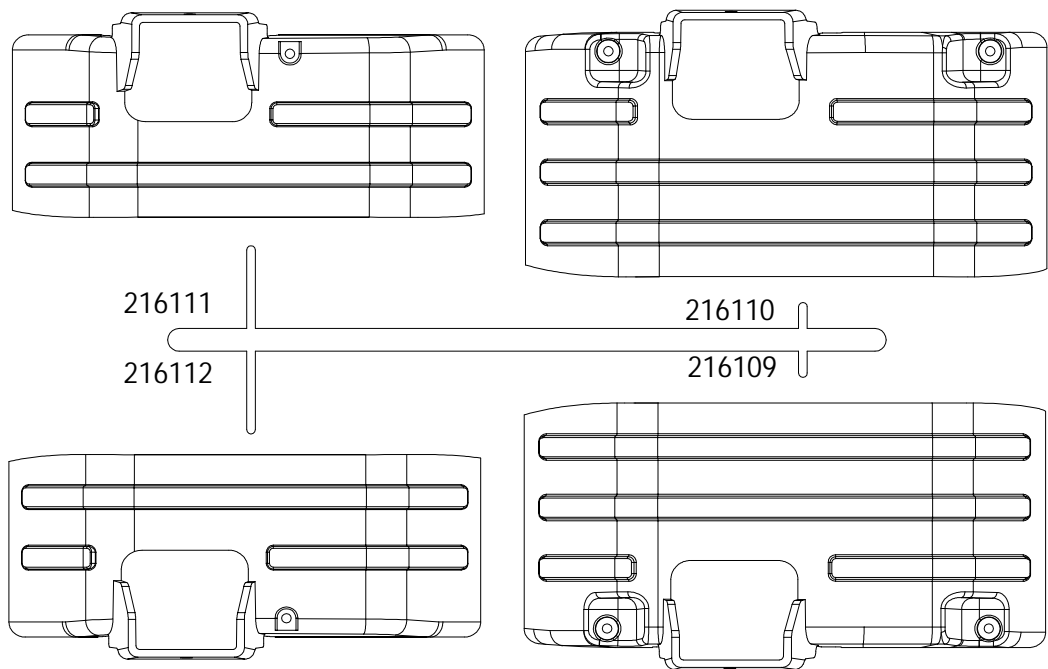
<b>BAG(F)</b>	<p>41629 <math>\varnothing 1.5 \times \varnothing 1 \times 20 \times 2</math></p> <p>94051 (490) 94052 (410) 94053 (170) 94054 (90)</p>
<b>BAG(G)</b>	<p>41645 X1 (53.5)</p> <p>41646 X1 (61)</p> <p>41641 X1 (93)</p> <p>41640 X2 (95.5)</p> <p>41644 X1 (115)</p> <p>41642 X2 (101)</p> <p>41643 X2 (98.5)</p> <p>41164 X8 (5)</p>
<b>BAG(H)</b>	<p>41336 X25</p> <p>200103</p> <p>200104</p> <p>200101</p> <p>200102</p> <p>2001</p> <p>2001x2</p>
<b>BAG(I)</b>	<p>11413 M4x12x4</p> <p>95064 X1 (114)</p> <p>95065 X1 (120)</p>
<b>BAG(J)</b>	<p>42230 X1</p> <p>73085 X2</p> <p>94061 X4</p> <p>71257 X1</p>
<b>BAG(K)</b>	<p>202402 X2</p> <p>213901 X2</p> <p>21216 X2</p> <p>206102 x2</p> <p>207803 x2</p>



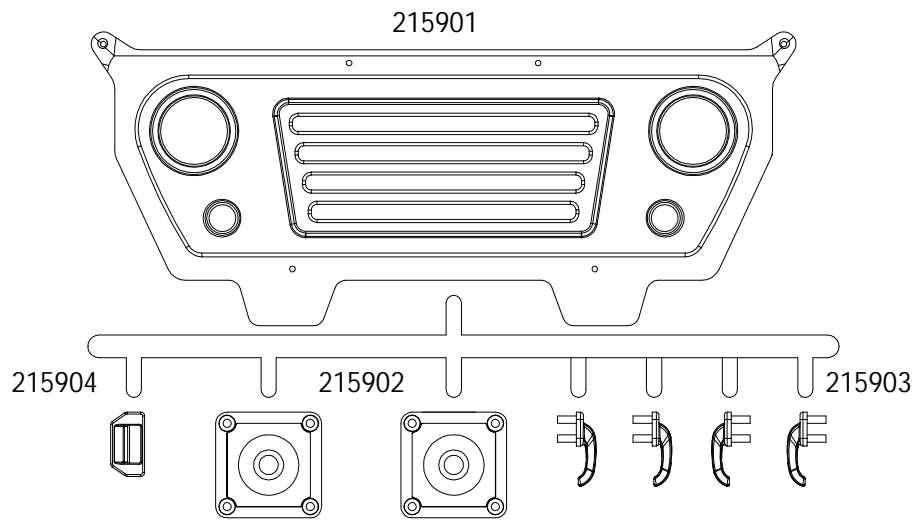
BAG(O)



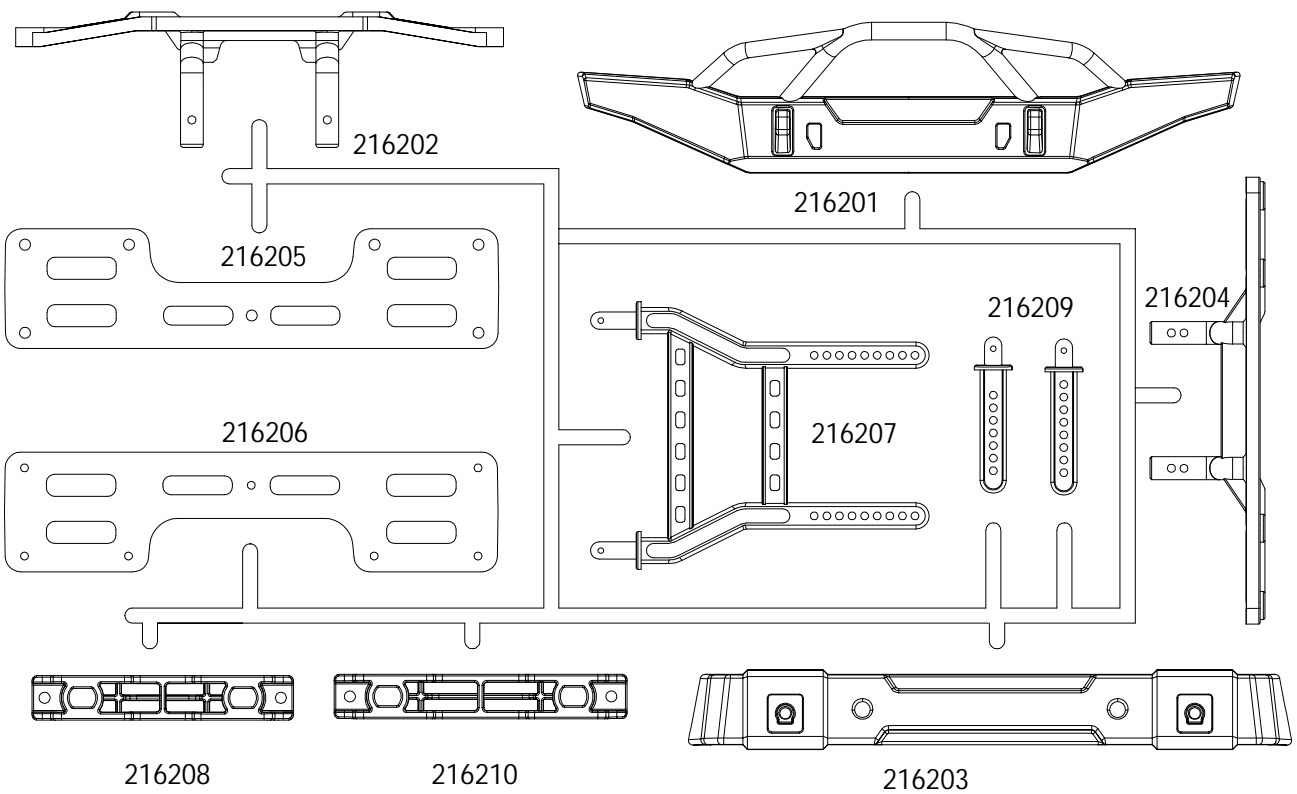
BAG(P)



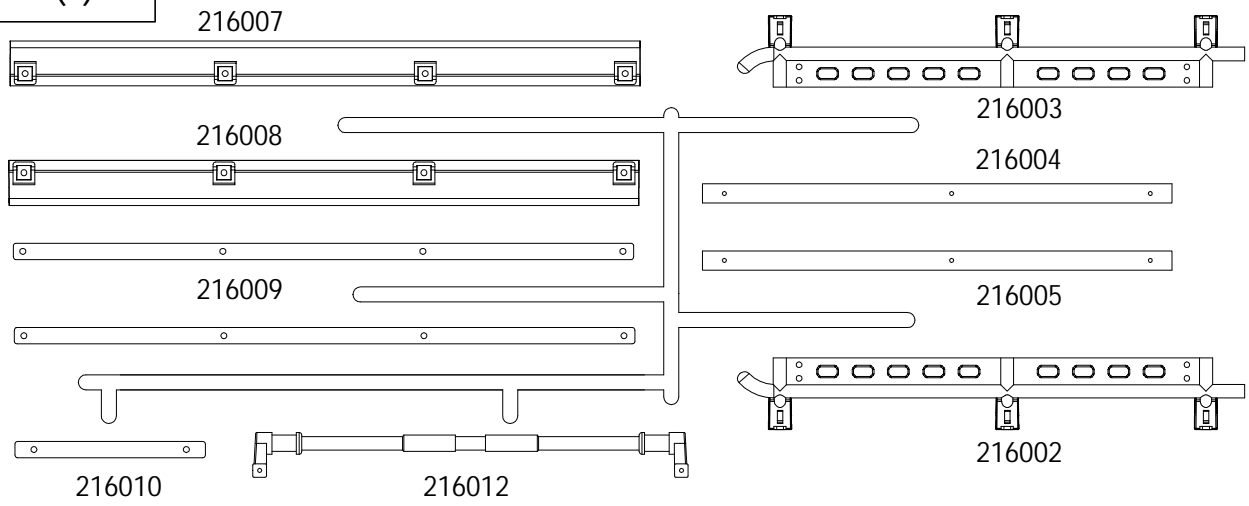
BAG(Q)



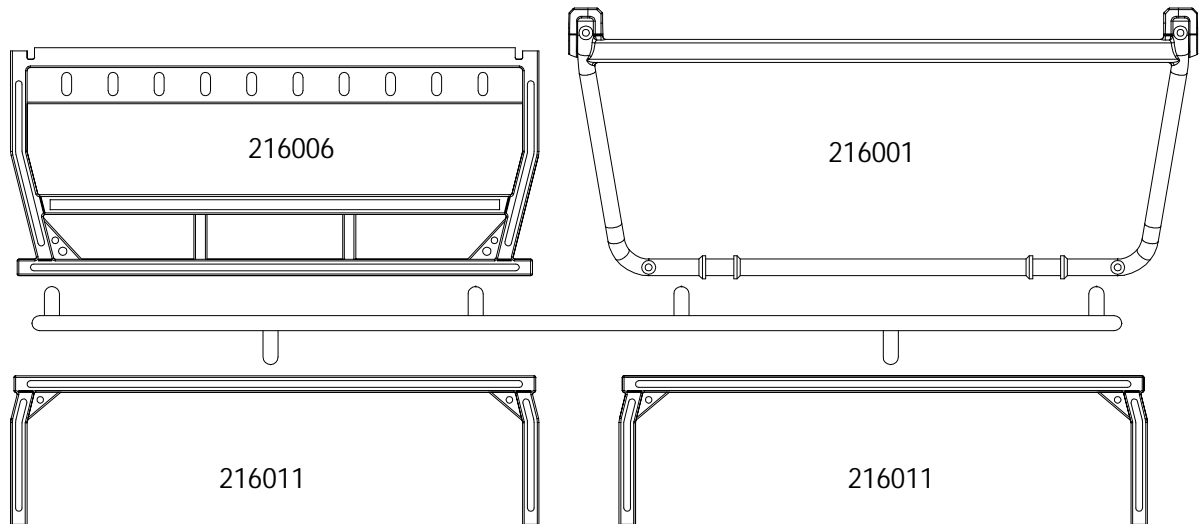
BAG(R)



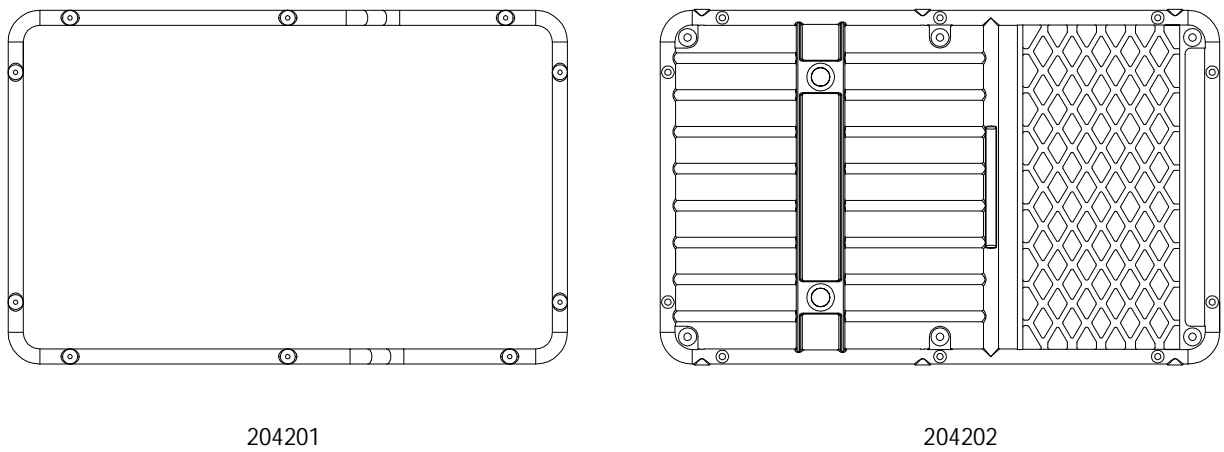
BAG(S)



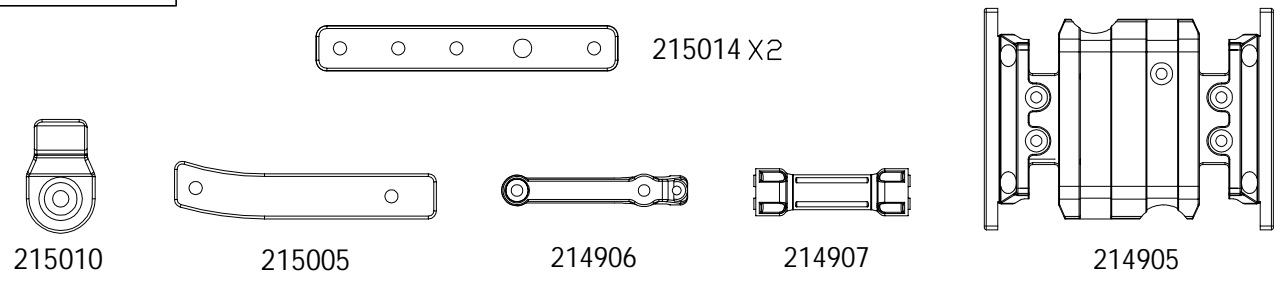
BAG(T)



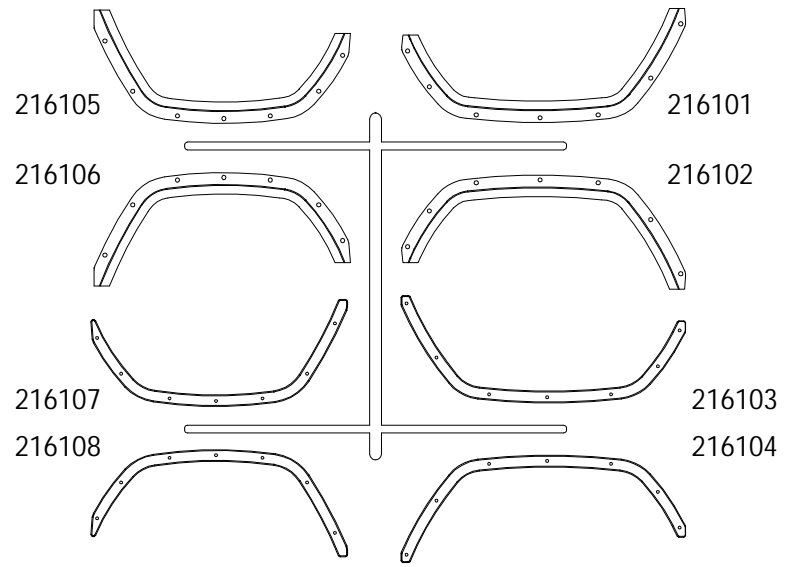
BAG(U)



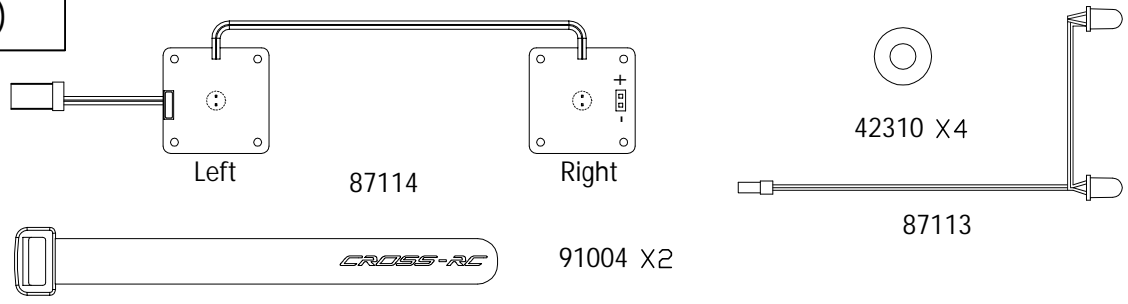
BAG(V)



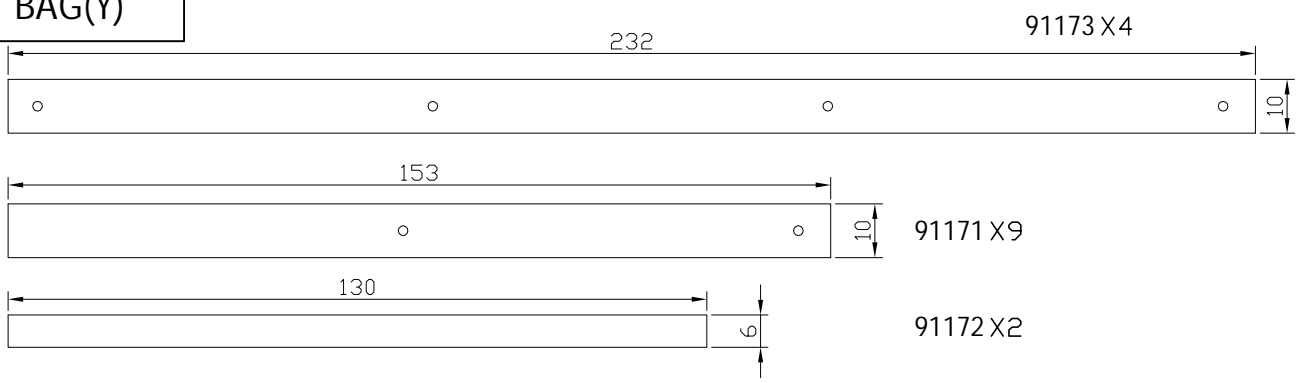
BAG(W)



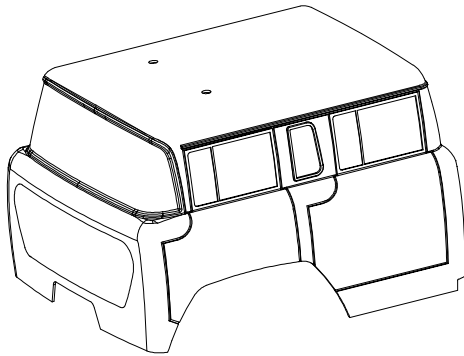
BAG(X)



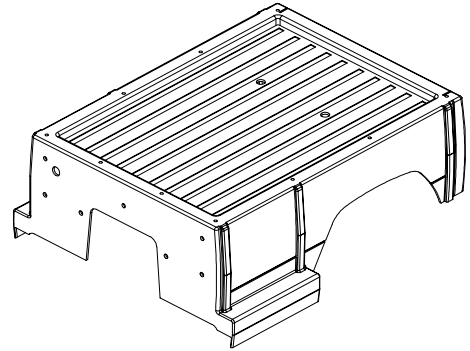
BAG(Y)



BAG(Z)

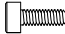



215801




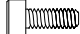
215802


BAG(ZA)

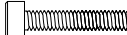
11102  M2x6 X36

11133  M2x12 X32


11118  M2x16 X6


11127  M2.5x7X4


11116  M2.5x12X2

11131  M2.5x14 X2


11212  M3x20 X8


11214  M3x25 X5


11205  M3x6 X2

11206  M3x8 X26


11207  M3x10 X39


11208  M3x12 X4

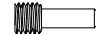
11209  M3x14 X5


11210  M3x16 X4


11211  M3x18 X7


11215  M3x28 X2


11303  M3x8 X12


11413  M4x12X4


11401  M3x4 X2

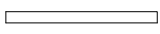
11704  M1.6x6 X22


12105  M2.5 X6


12203  M3 X10




71284 X2 

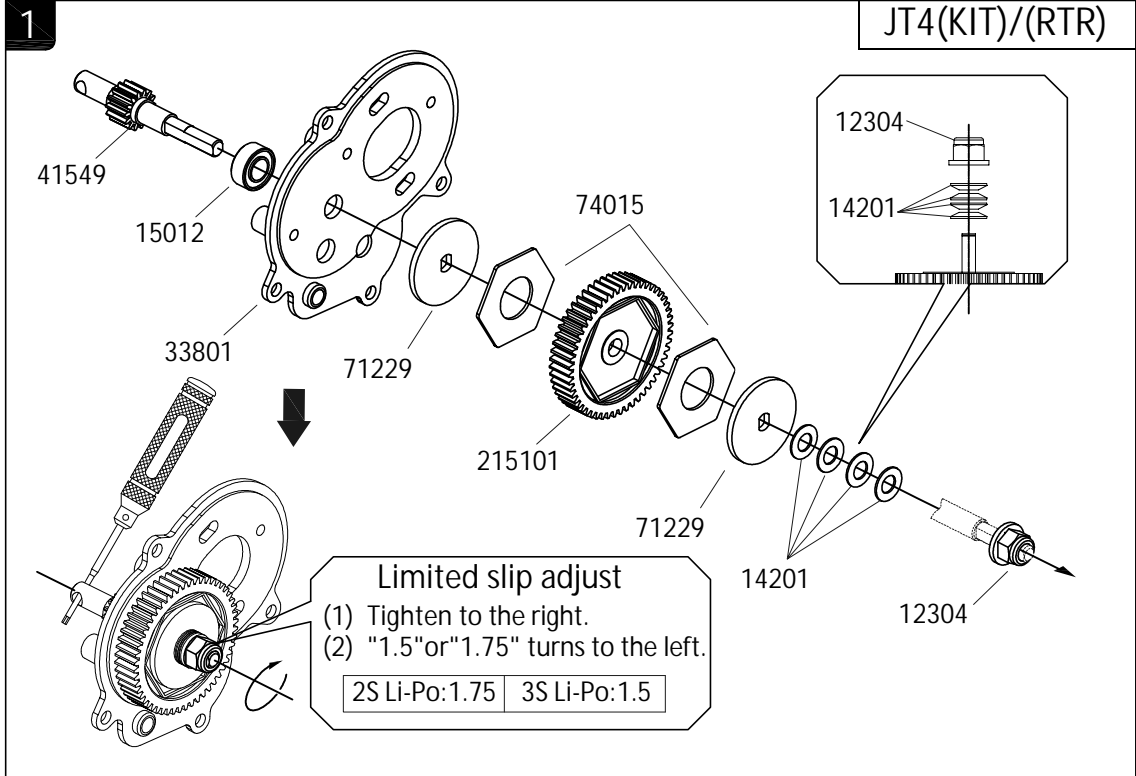
42224  Ø3x10 .8 X2





41629  Ø1.5xØ1 x20X2

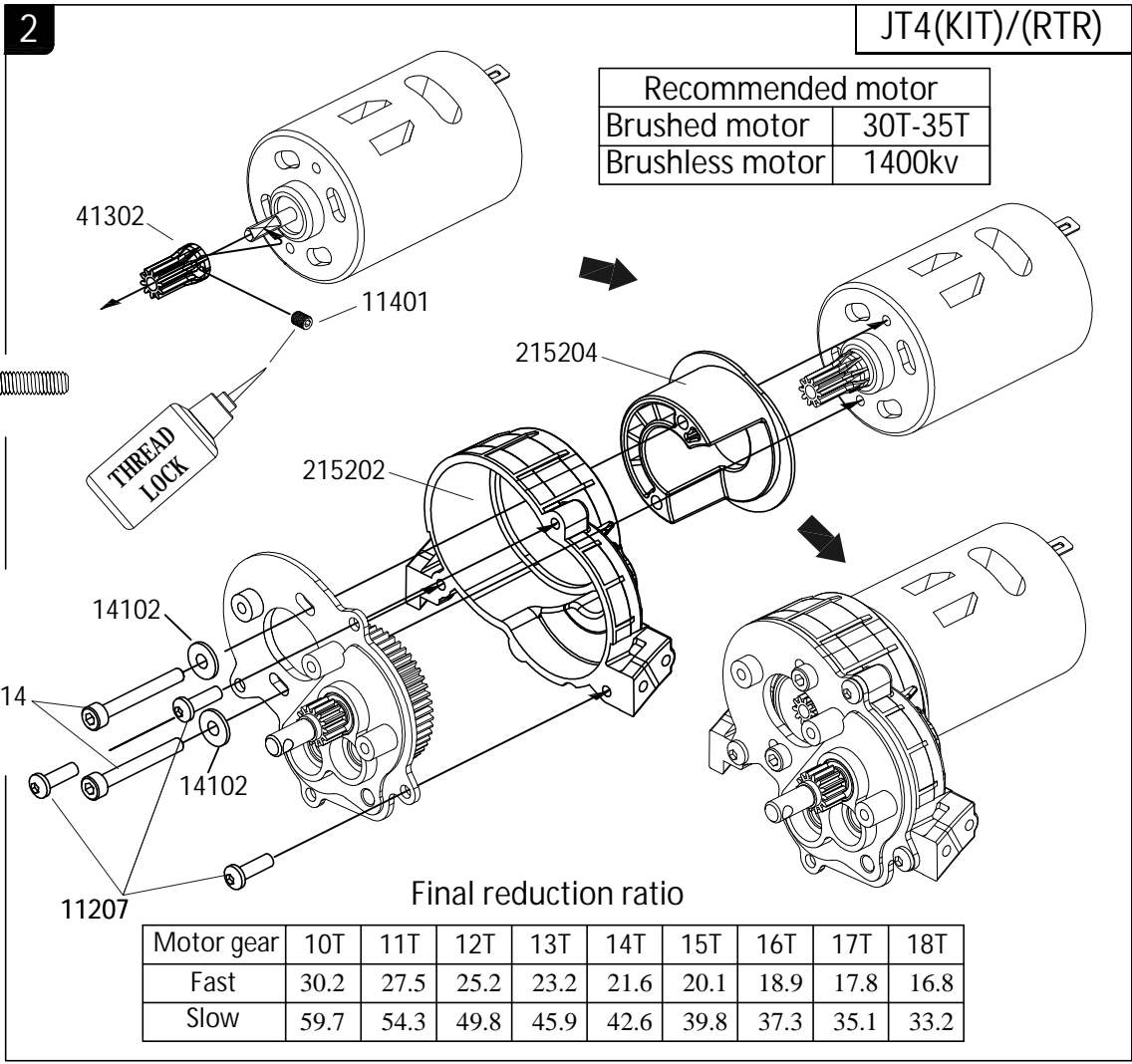
91152  Ø4xØ3 X2

14102  Ø3xØ7x0.5 X1

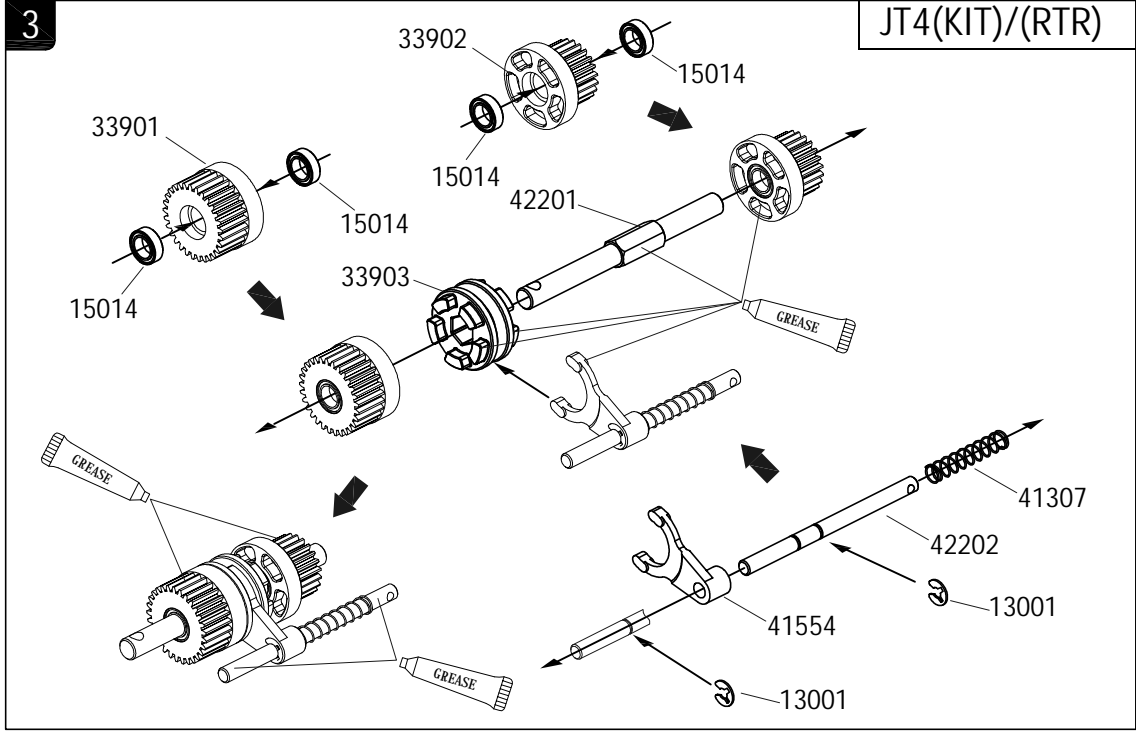
- BAG(D)**
- 15012  
  
 $\phi 5 \times \phi 10 \times 4$  X1
  - 12304  
  
 M4 X1
  - 14201  
  
 $\phi 4.2 \times \phi 8 \times 0.4 \times 4$



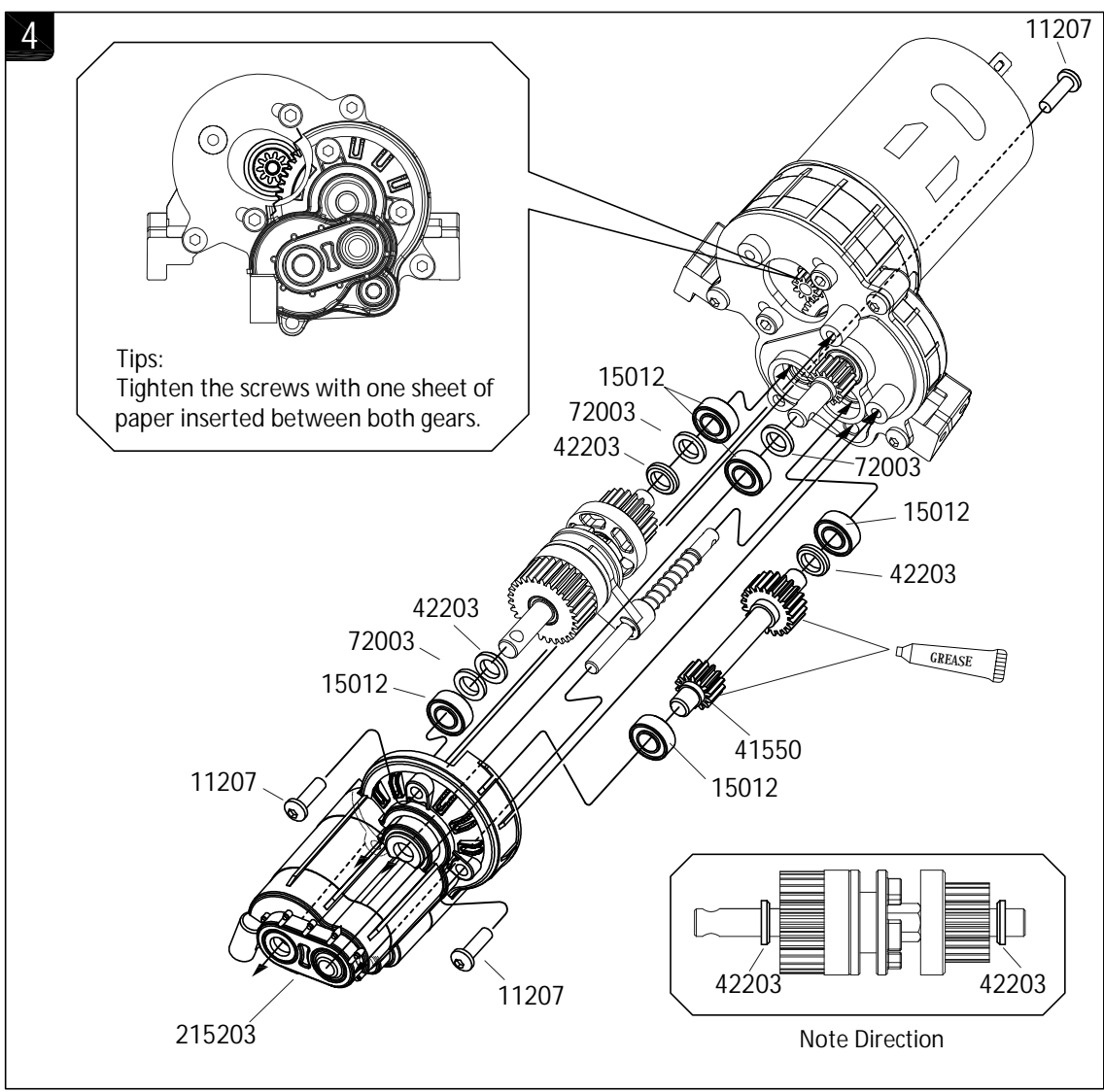
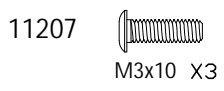
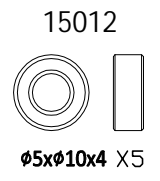
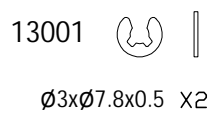
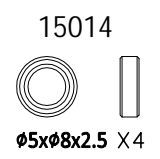
- 11401  
  
 M3x4 X1
- 11207  
  
 M3x10 X3
- 11114  
  
 M3x25 X2
- 14102  
  
 $\phi 3 \times \phi 7 \times 0.5$  X2



JT4(KIT)/(RTR)

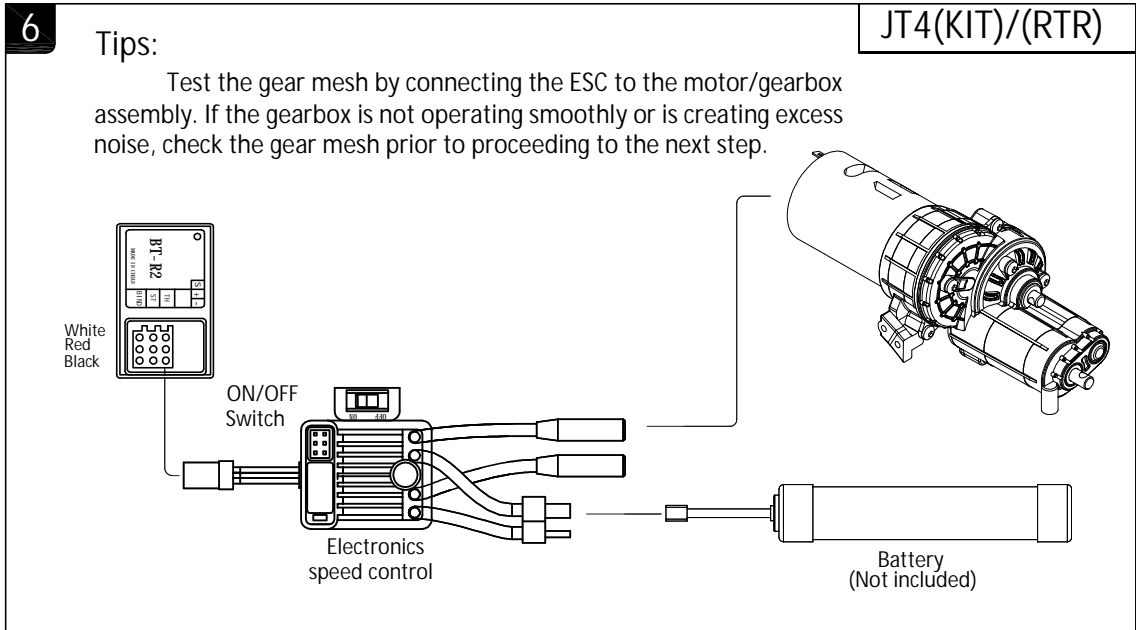
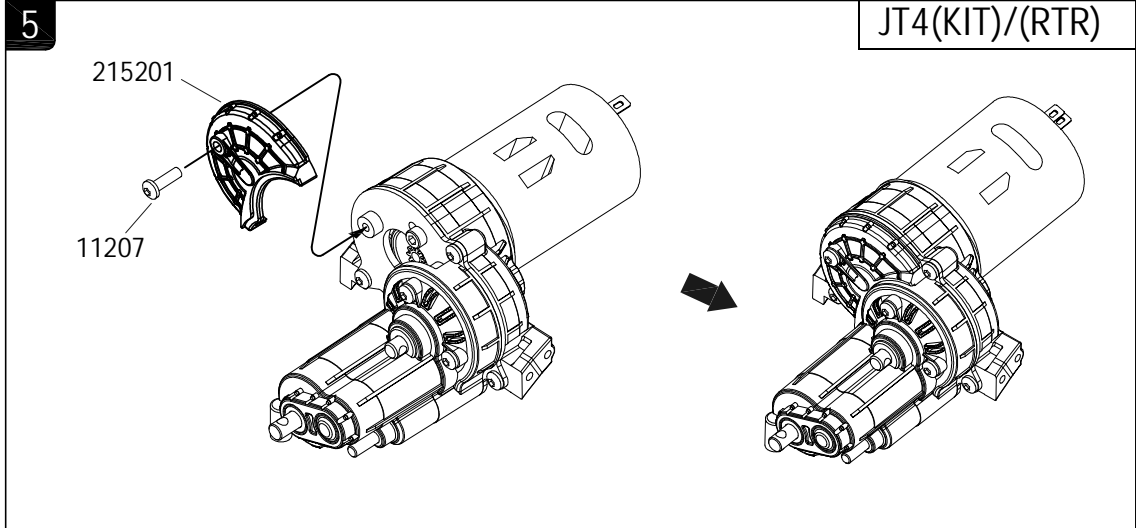


BAG(D)




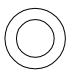



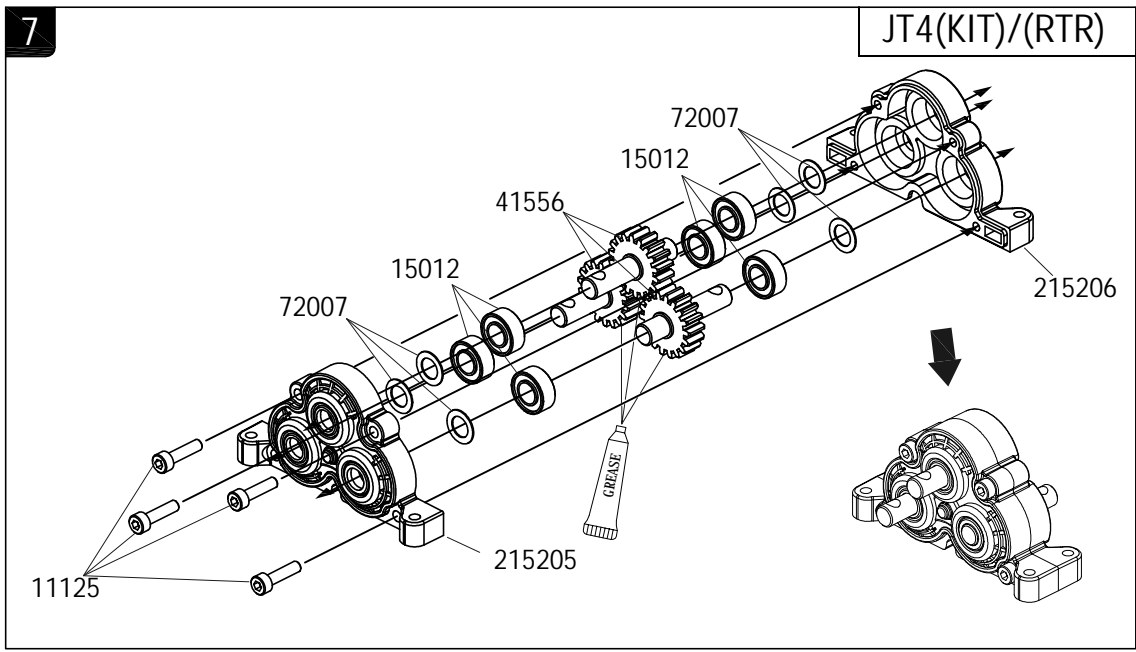
BAG(D)

- 11207  M3x10 X1




BAG(C)

- 11125  M2.5x10 X4
- 15012    $\phi 5 \times \phi 10 \times 4$  X6
- 72007    $\phi 5 \times \phi 8 \times 0.3$  X6

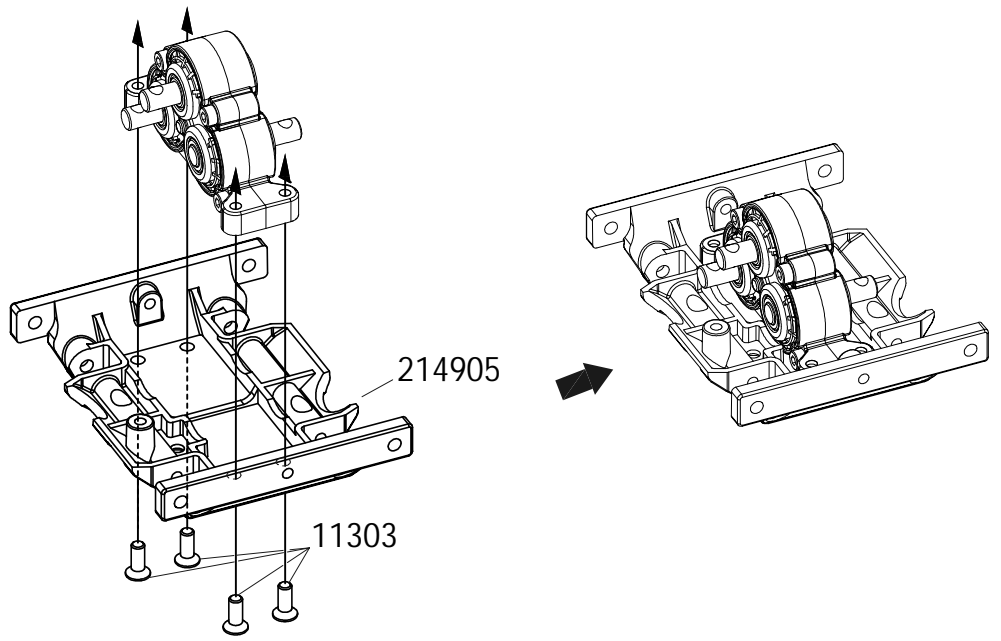


BAG(ZA)

11303   
M3x8 X4


8


JT4(KIT)/(RTR)

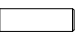


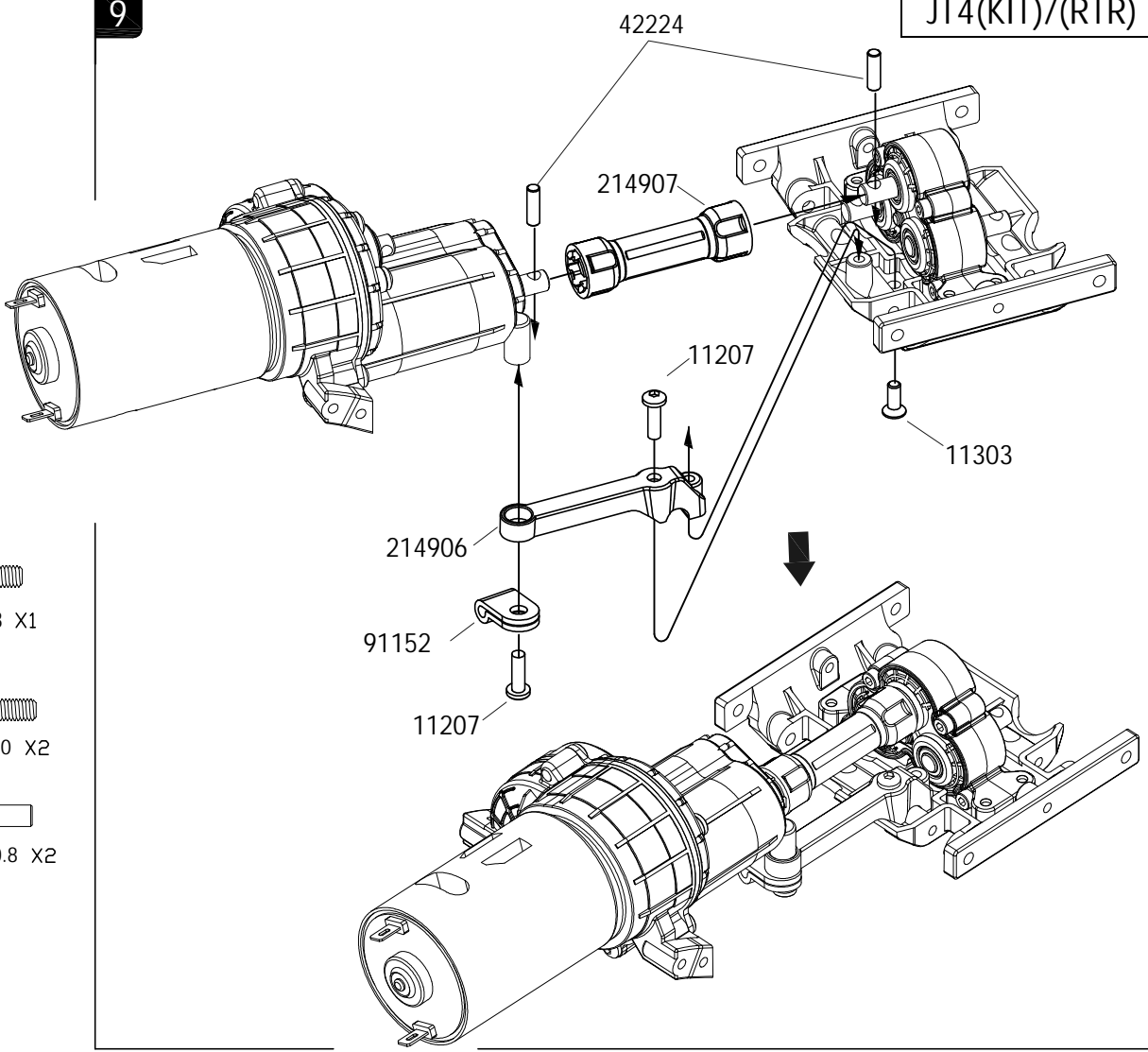
9

JT4(KIT)/(RTR)

11303   
M3x8 X1

11207   
M3x10 X2


42224   
Ø3x10.8 X2

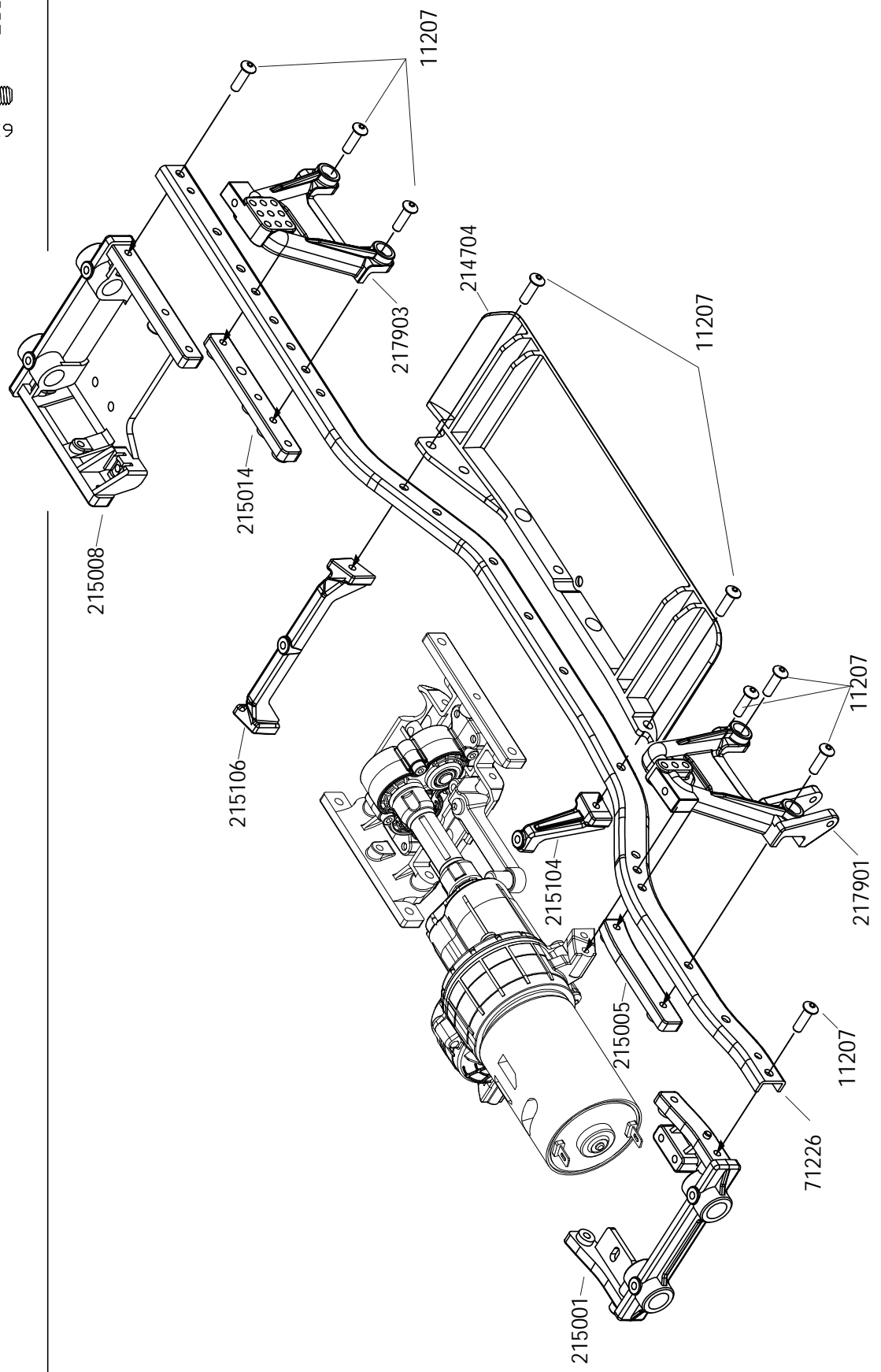


BAG(ZA)

10

JT4(KIT)/(RTR)


11207   
M3x10 X9

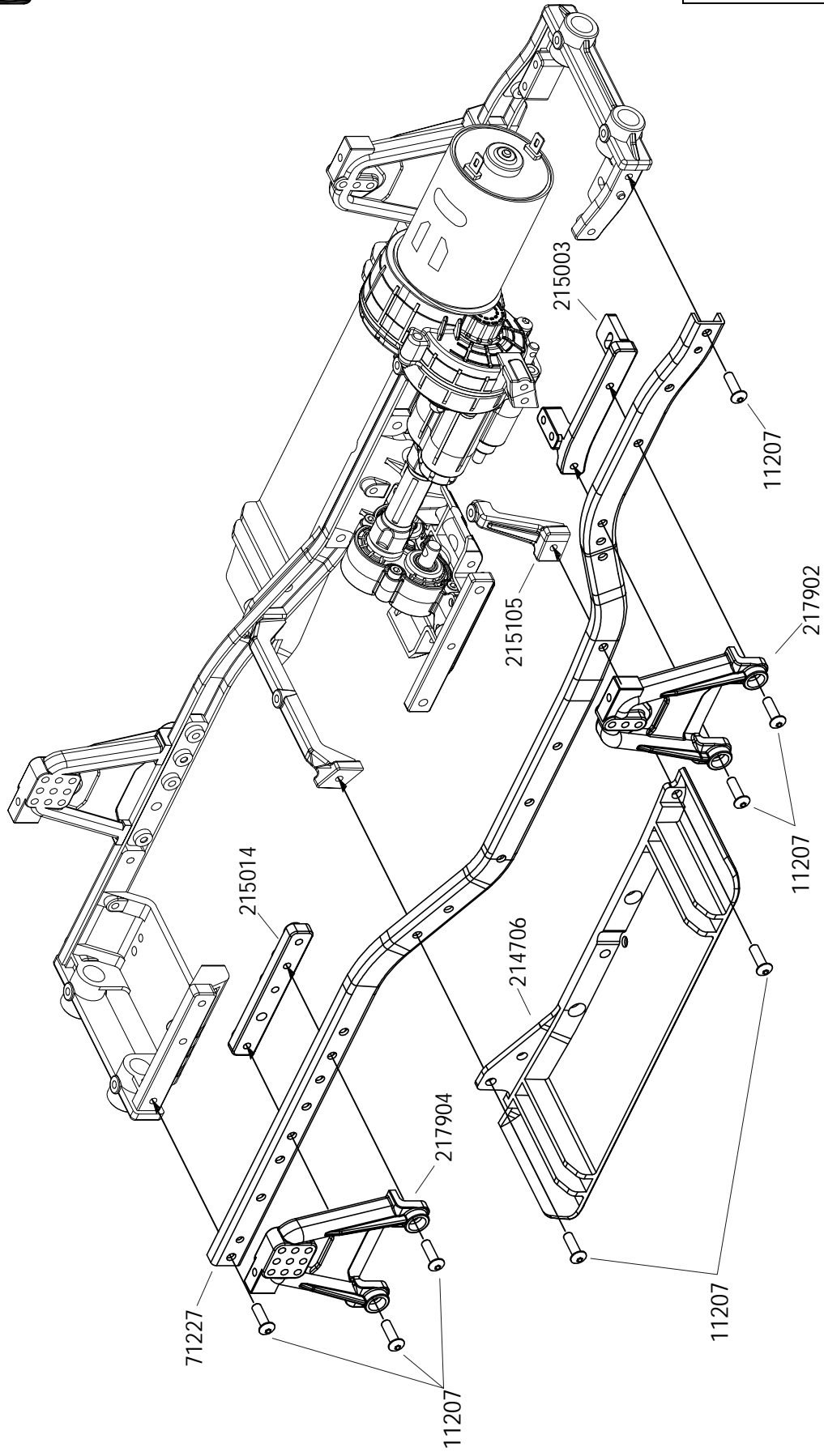


BAG(ZA)


11

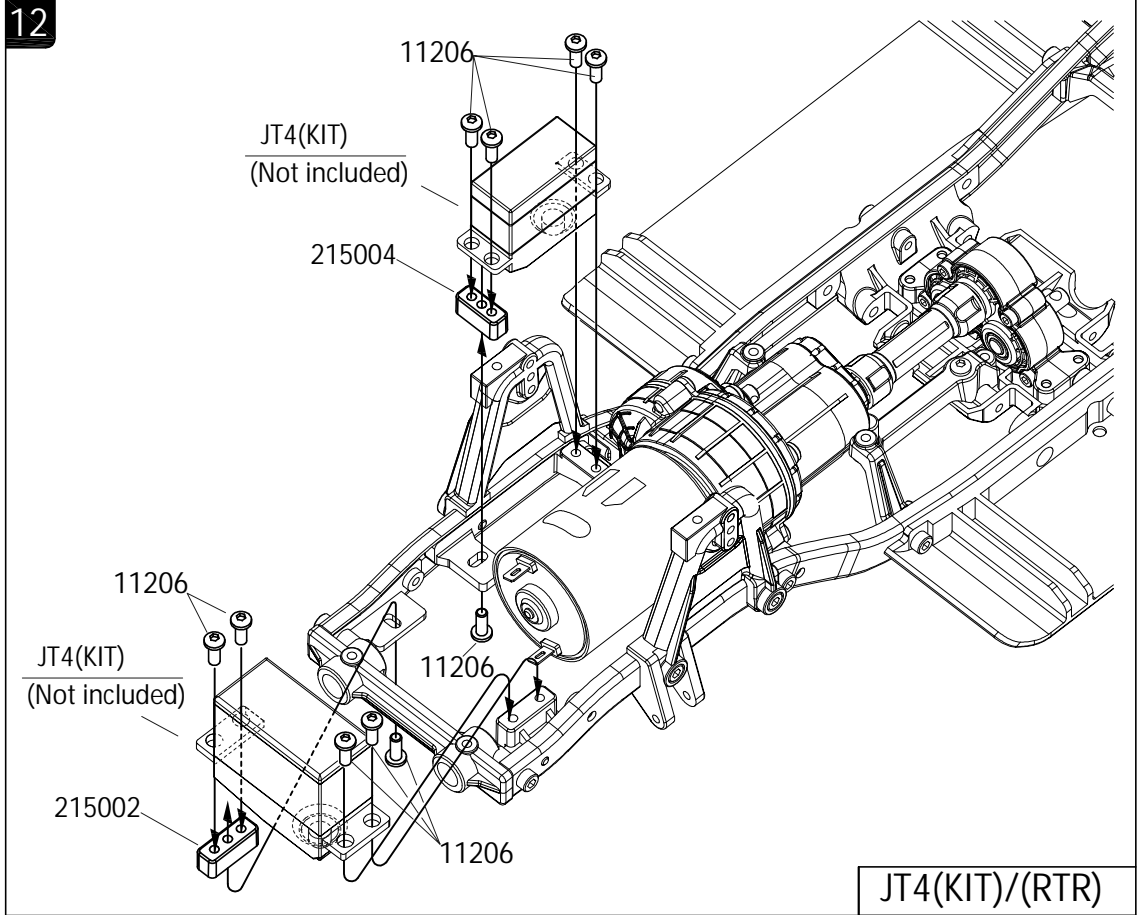
JT4(KIT)/(RTR)


11207   
M3x10 X9




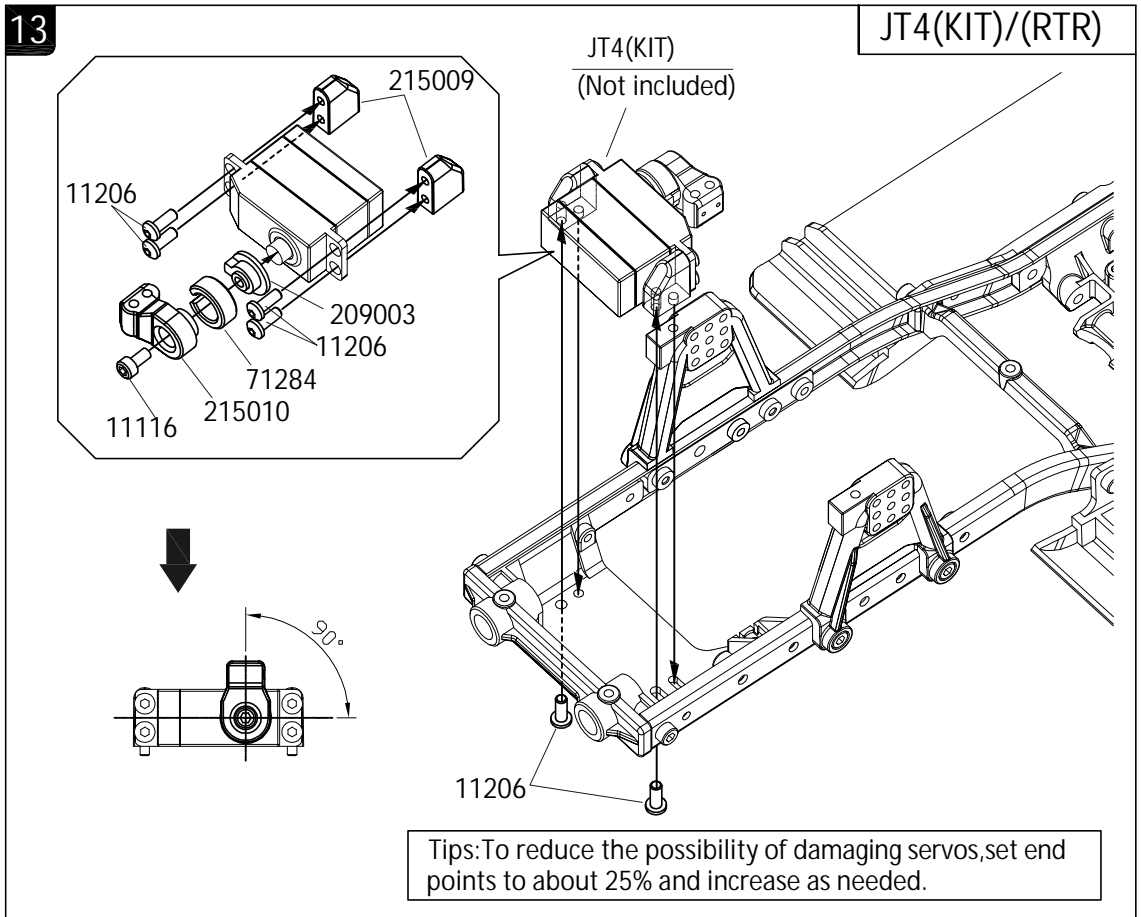
BAG(ZA)

11206   
M3x8 X10



11206   
M3x8 X6


11116   
M2.5x12 X1





14


JT4(KIT)/(RTR)


BAG(ZA)

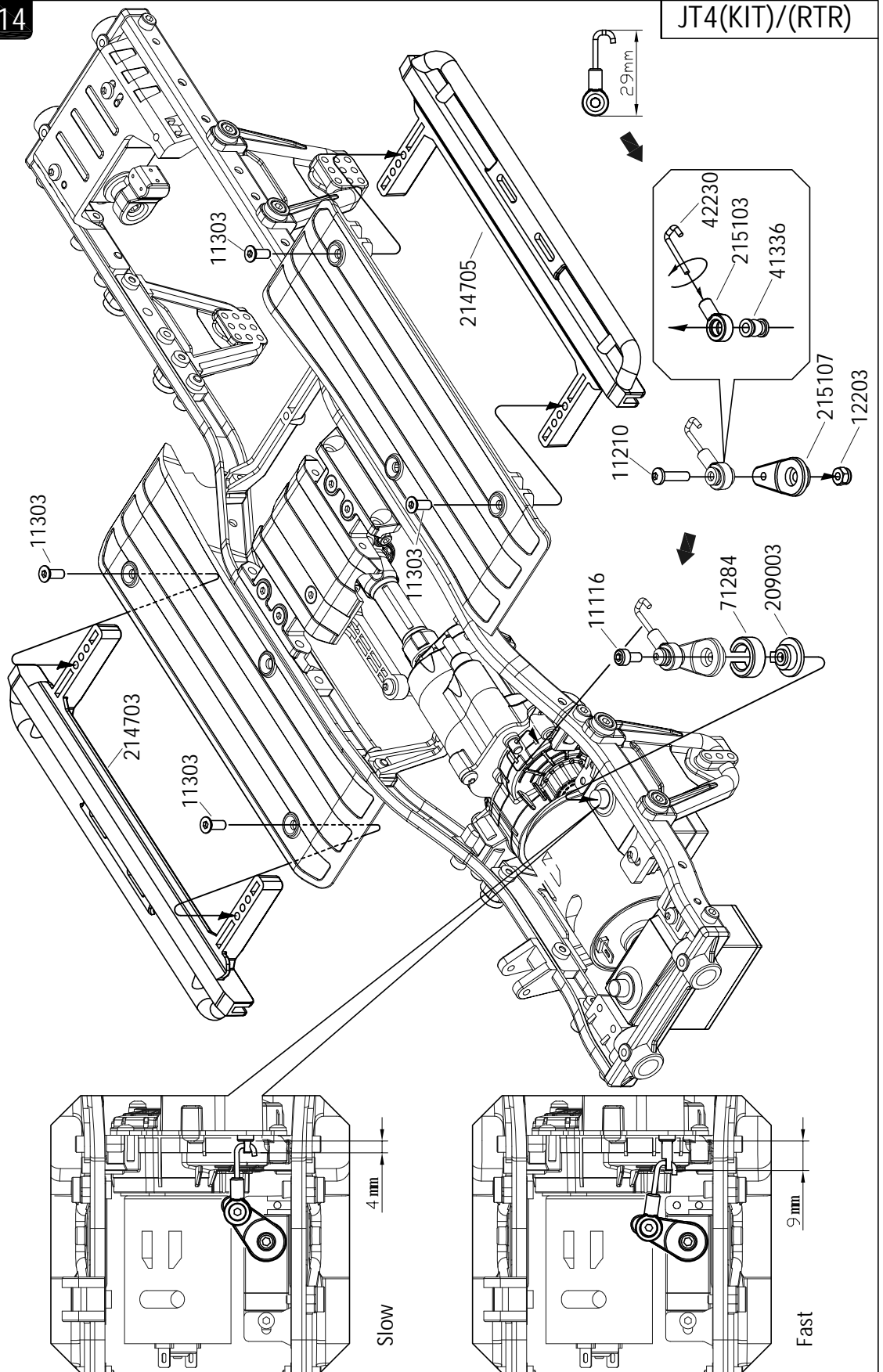
11210  M3x16 X1

11116  M2.5x12 X1

11303  M3x8 X4


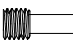
12203  M3 X1

 41336 X1



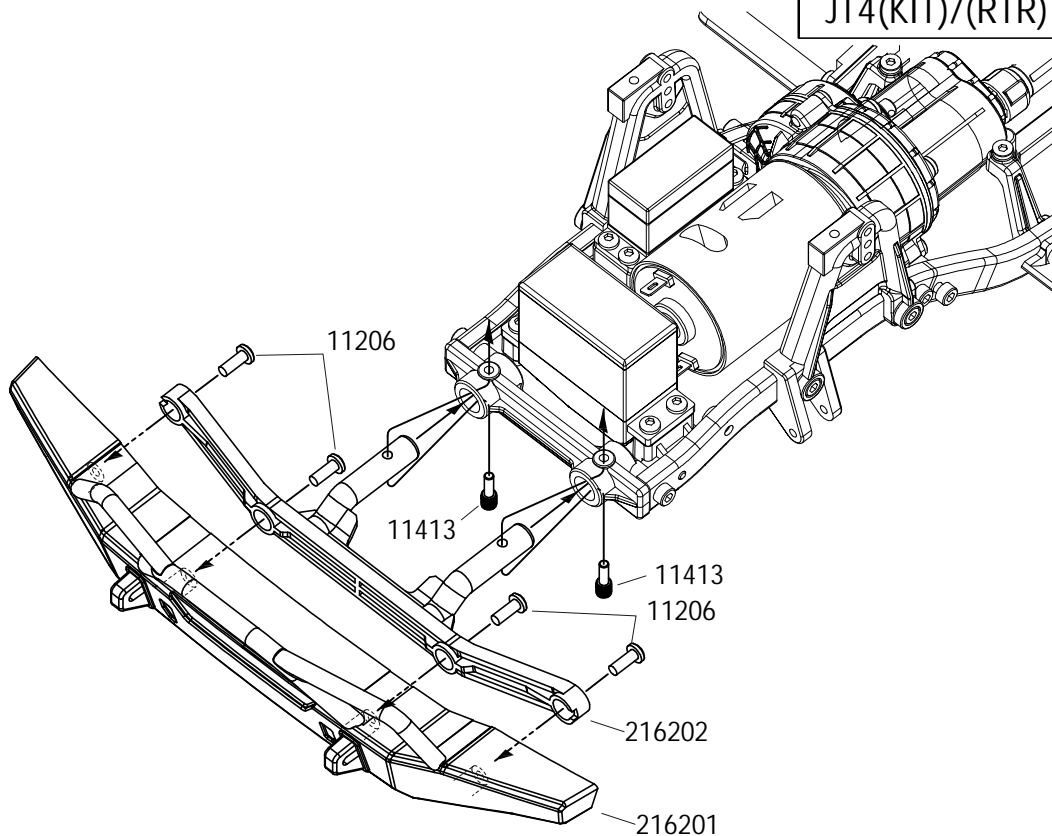
Tips: To reduce the possibility of damaging servos, set end points to about 25% and increase as needed.

BAG(ZA)

- 11206  M3x8 X4
- 11413  M4x12 X2


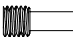
15

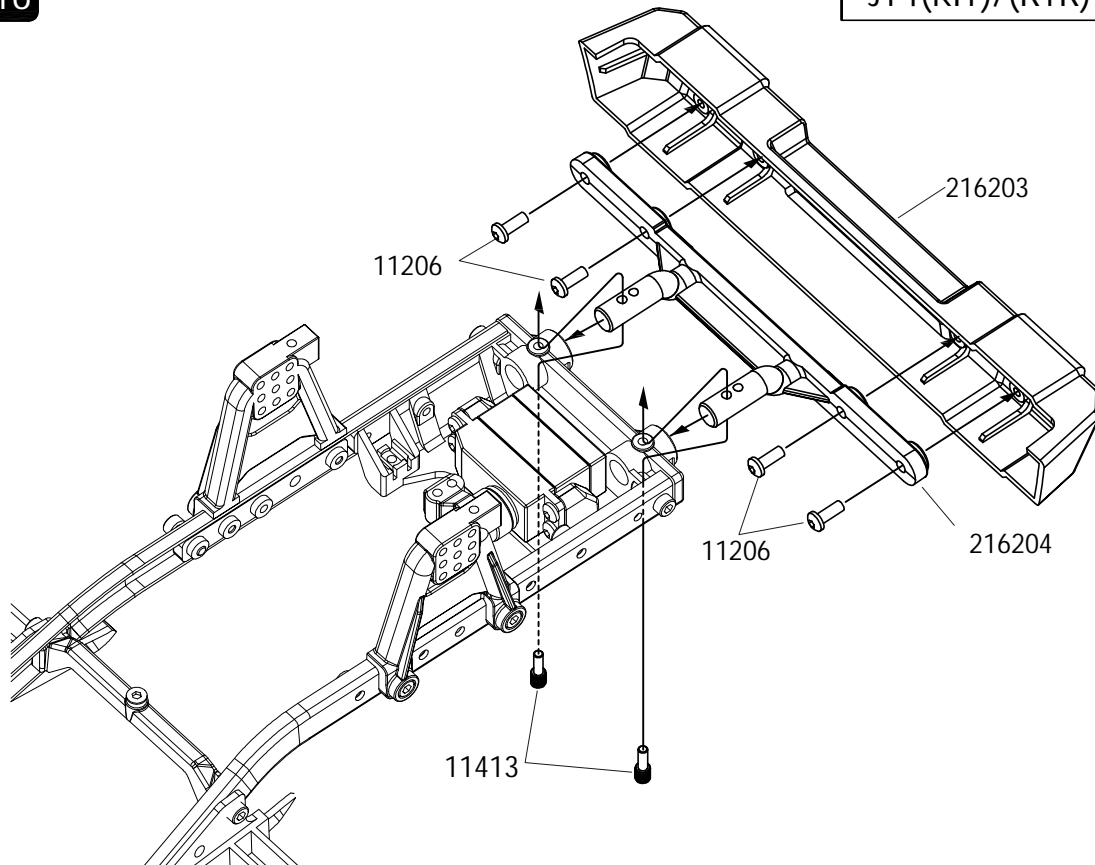
JT4(KIT)/(RTR)



16

JT4(KIT)/(RTR)

- 11206  M3x8 X4
- 11413  M4x12 X2

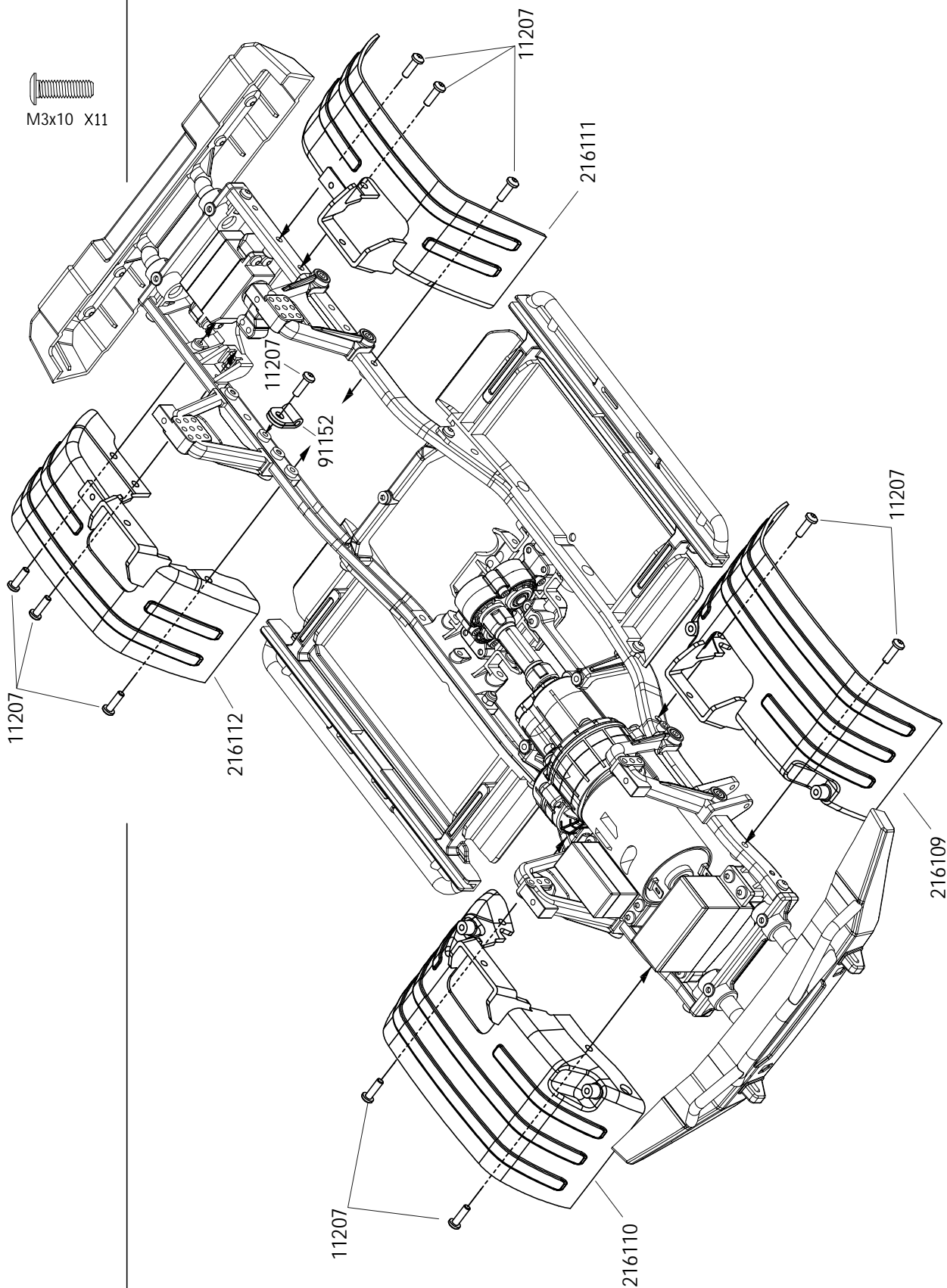
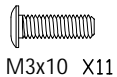


BAG(ZA)

17

JT4(KIT)/(RTR)


11207



18

JT4(KIT)/(RTR)

BAG(B)

13004  |  
 ø2.0xø5.5x0.4 X8

ø6.5xø2.5xø2



17007 X12

ø7xø5xø1



17008 X4



41336 X4



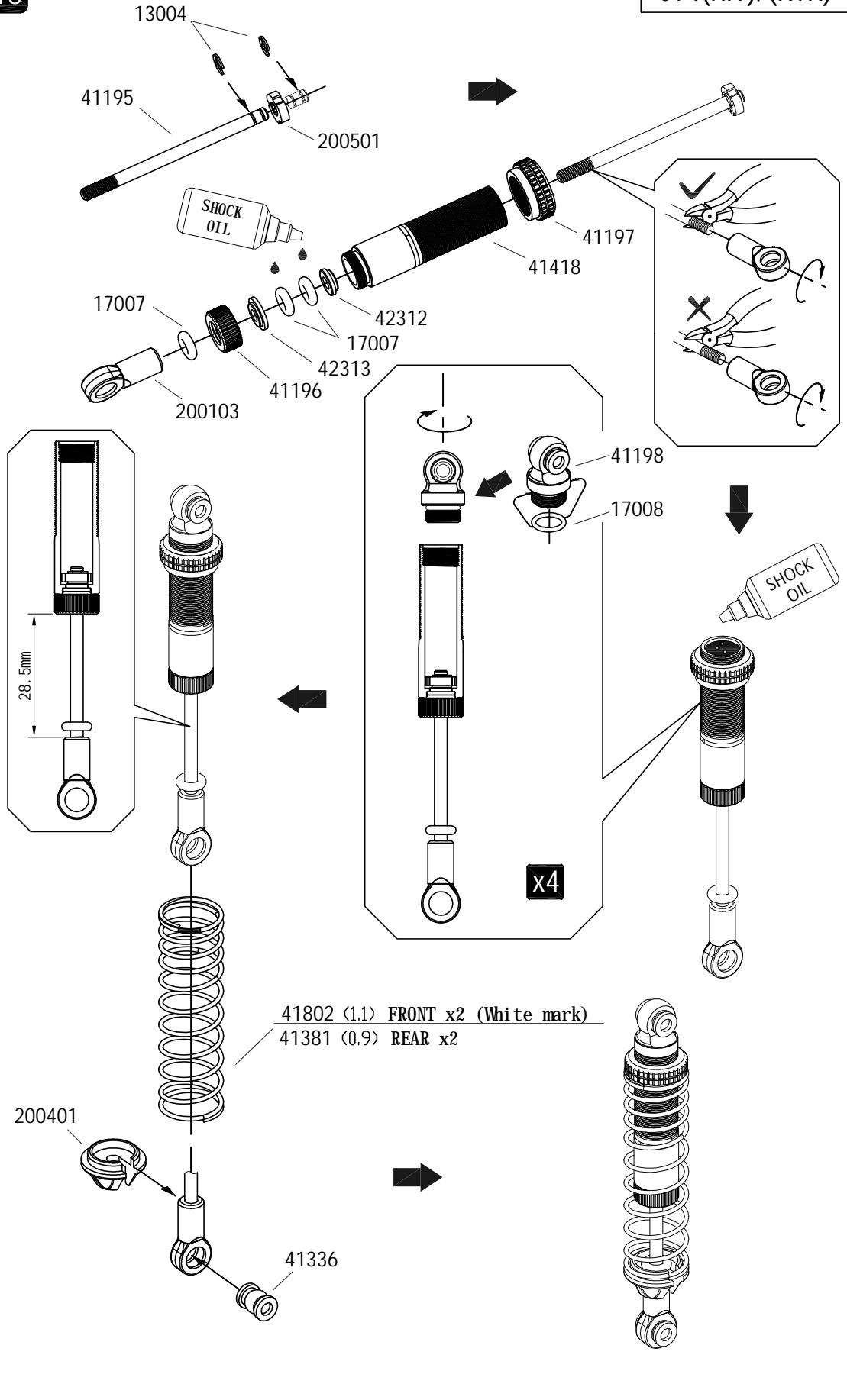
White mark




41802 X2(1.1)




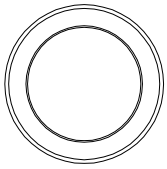
41381 X2(0.9)

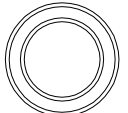


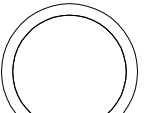
**BAG(E)**

11316  M2.5x10 X2


11227  M2.5x8 X8


15015   $\phi 15 \times \phi 21 \times 4$  X2


15013   $\phi 10 \times \phi 15 \times 4$  X2


75020   $\phi 15 \times \phi 18 \times 0.2$  X2


15012   $\phi 5 \times \phi 10 \times 4$  X2


13002   $\phi 3.8 \times \phi 9.2 \times 0.6$  X1

72007   $\phi 5 \times \phi 8 \times 0.3$  X1

11125  M2.5x10 X4

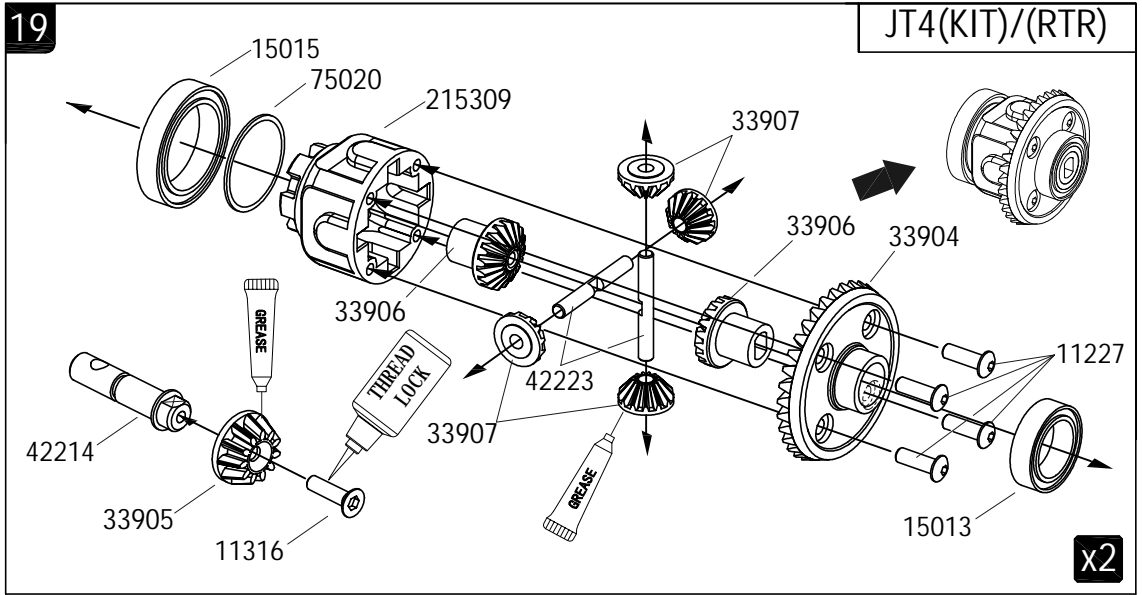
11205  M3x6 X4

12203  M3 X2

11211  M3x18 X2

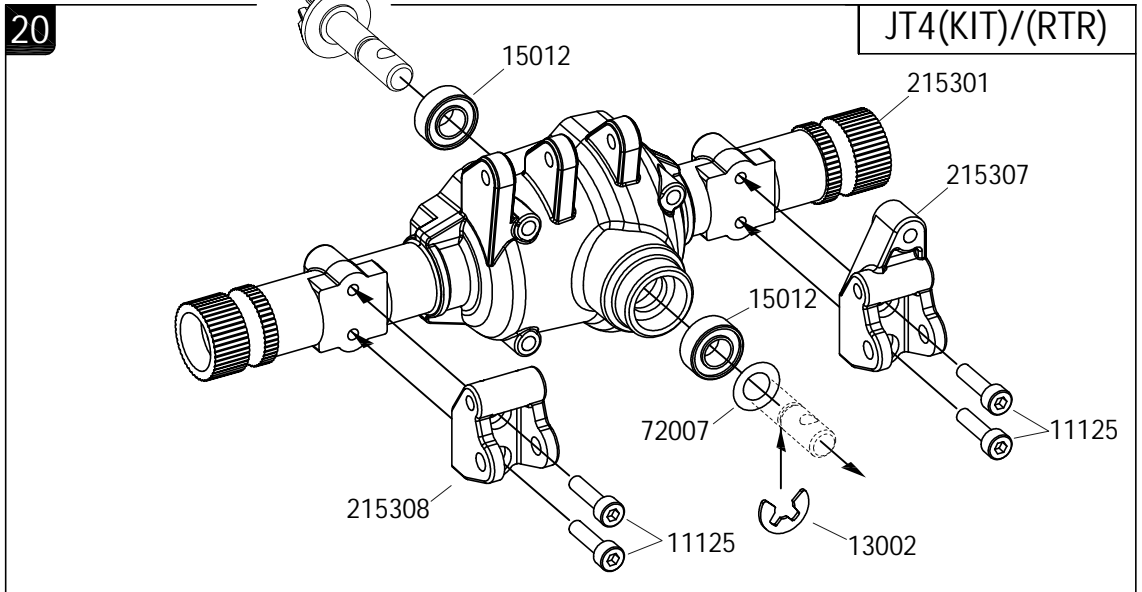
**19**

**JT4(KIT)/(RTR)**



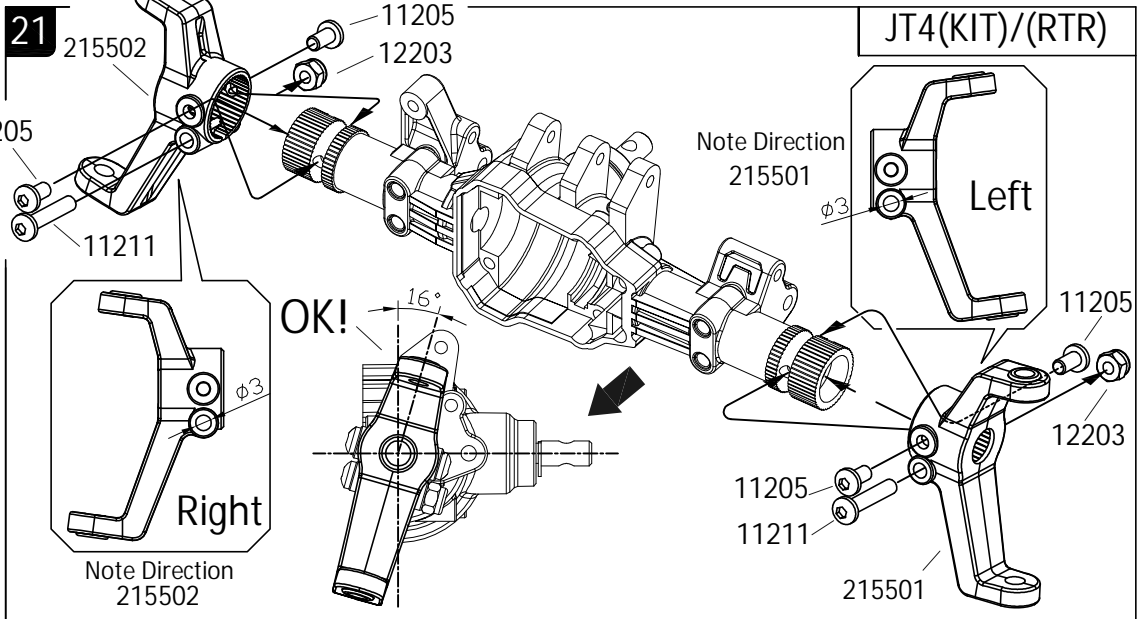
**20**

**JT4(KIT)/(RTR)**



**21**




**JT4(KIT)/(RTR)**



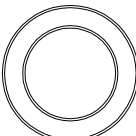



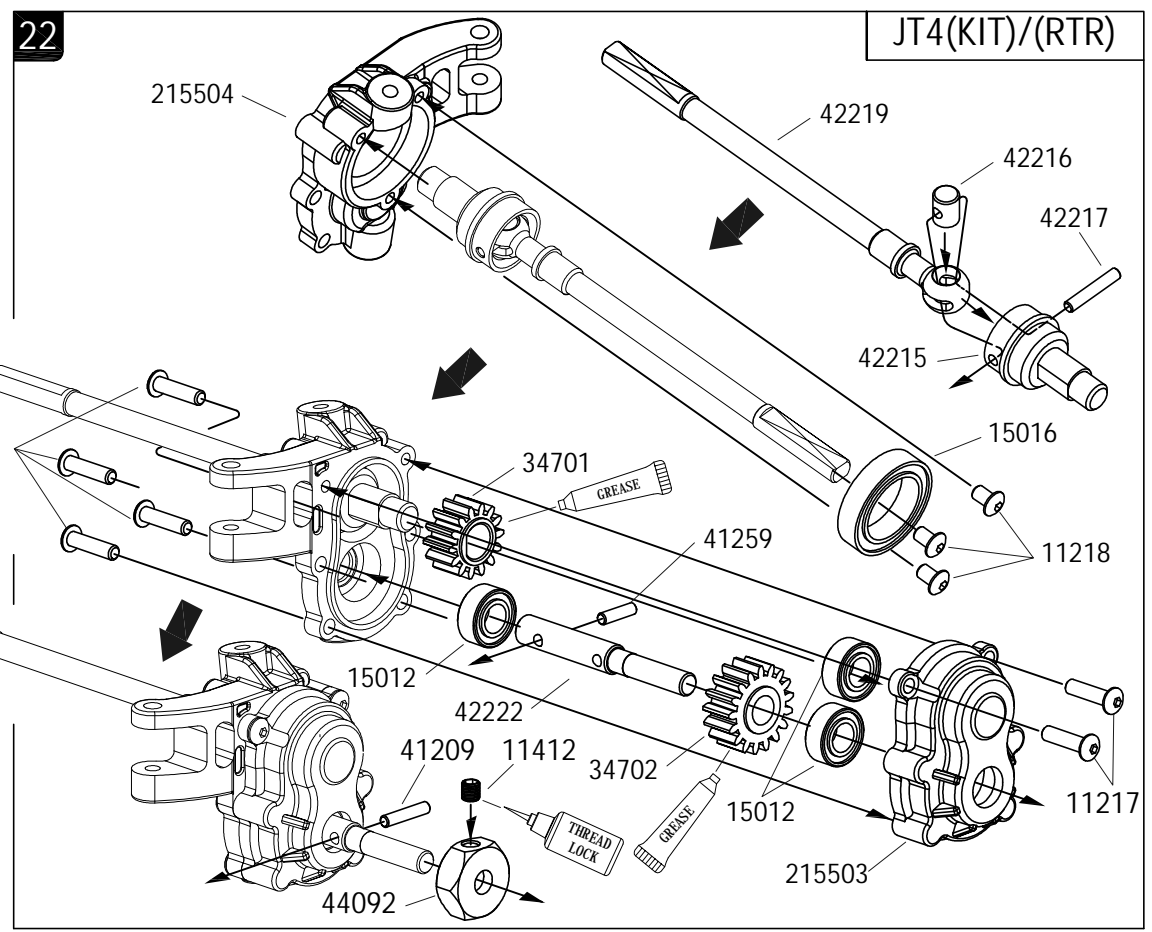
BAG(E)

22

JT4(KIT)/(RTR)




- 11412  M3x3 X1
- 11218  M2.5x4 X3
- 11217  M2.5x10 X6


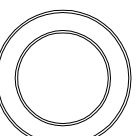

- 15012    $\phi 5 \times \phi 10 \times 4 \times 3$
- 15016    $\phi 12 \times \phi 18 \times 4 \times 1$

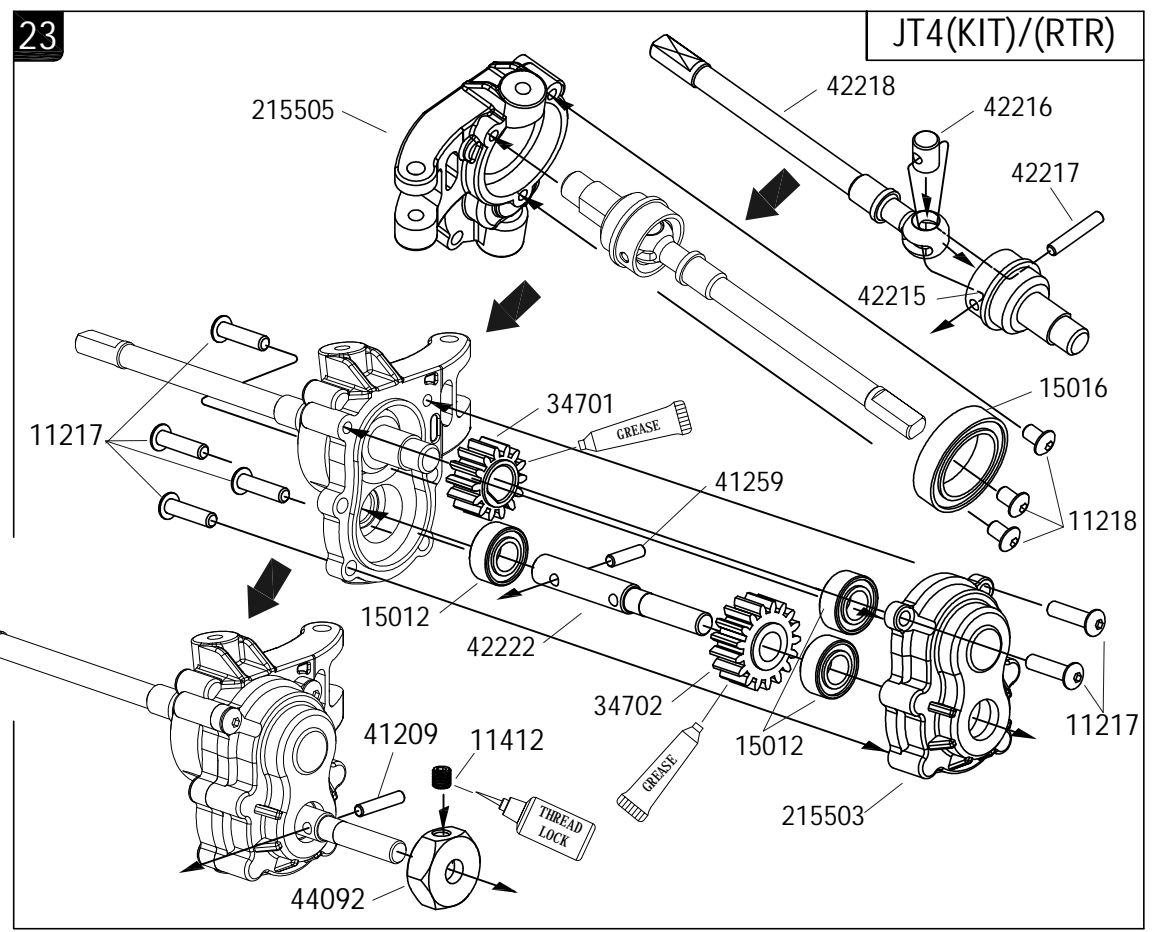


23

JT4(KIT)/(RTR)

- 11412  M3x3 X1
- 11218  M2.5x4 X3
- 11217  M2.5x10 X6

- 15012    $\phi 5 \times \phi 10 \times 4 \times 3$
- 15016    $\phi 12 \times \phi 18 \times 4 \times 1$

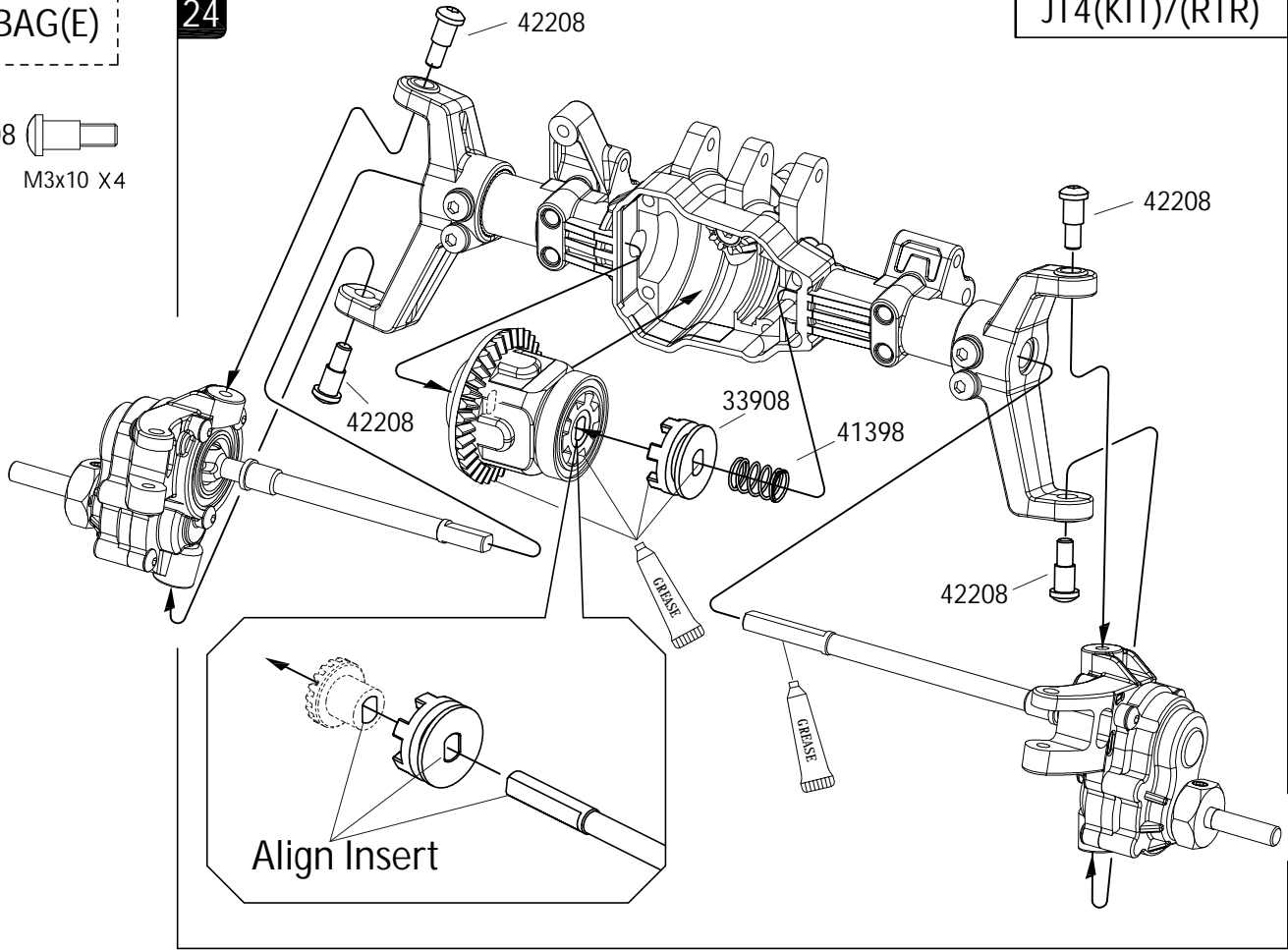


BAG(E)

24

JT4(KIT)/(RTR)

42208 M3x10 X4



25

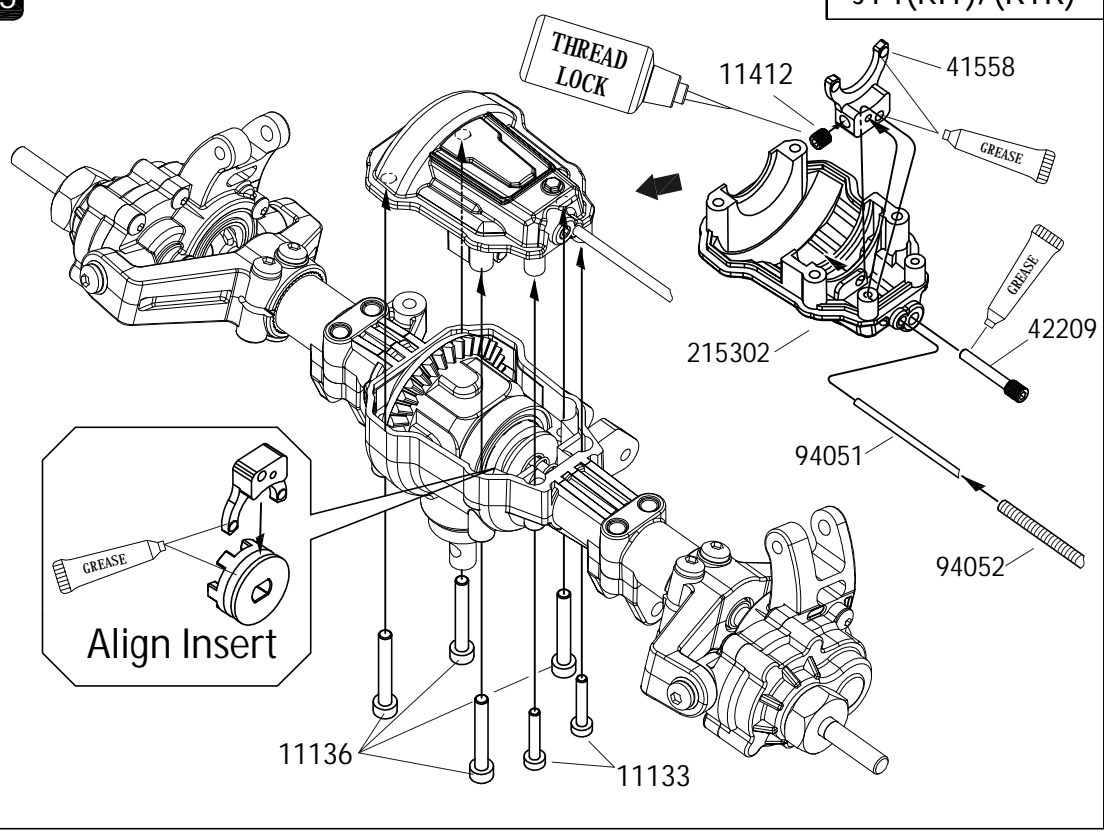
JT4(KIT)/(RTR)

11412 M3x3 X1

42209 X1

11133 M2x12 X2

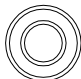






11136 M2.5x18 X4

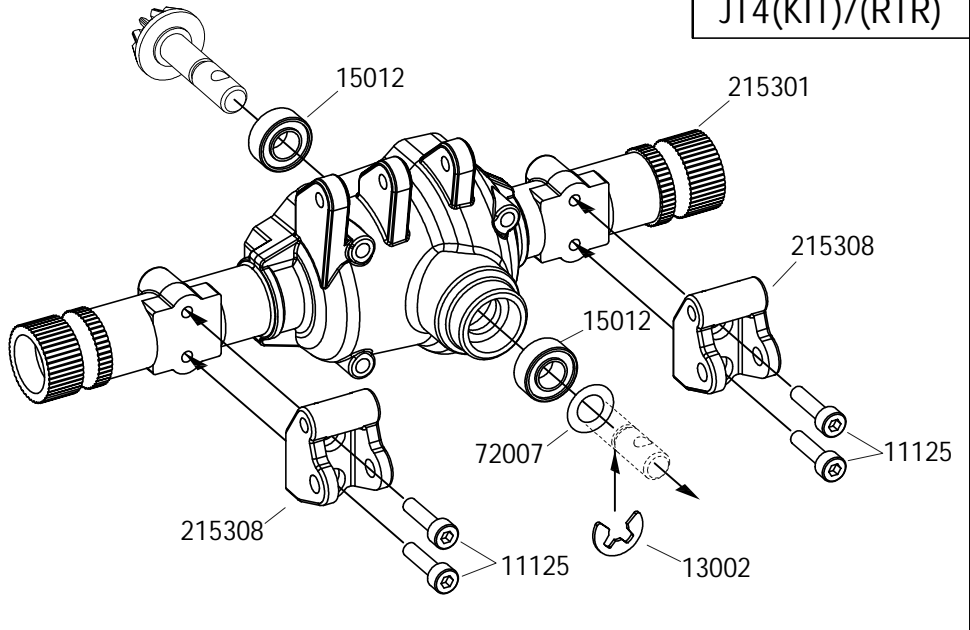


BAG(E)

26





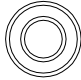

JT4(KIT)/(RTR)

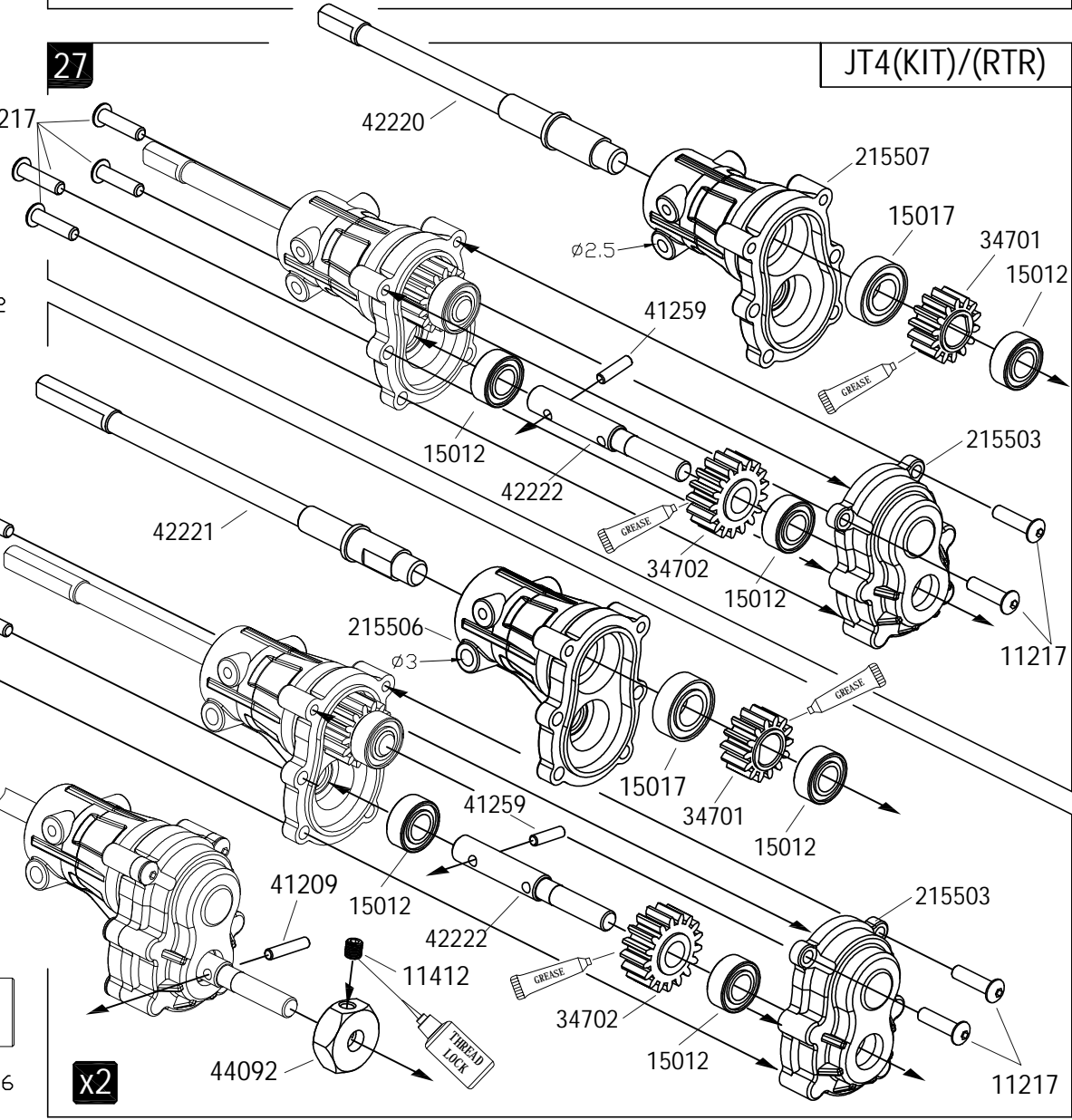
- 15012    
ø5xø10x4 X2
- 13002    
ø3.8xø9.2x0.6 X1
- 72007    
ø5xø8x0.3 X1
- 11125   
M2.5x10 X4



27

JT4(KIT)/(RTR)

- 11217   
M2.5x10 X12
- 15017    
ø6xø12x4 X2
- 11412   
M3x3 X2
- 15012    
ø5xø10x4 X6





x2


BAG(E)

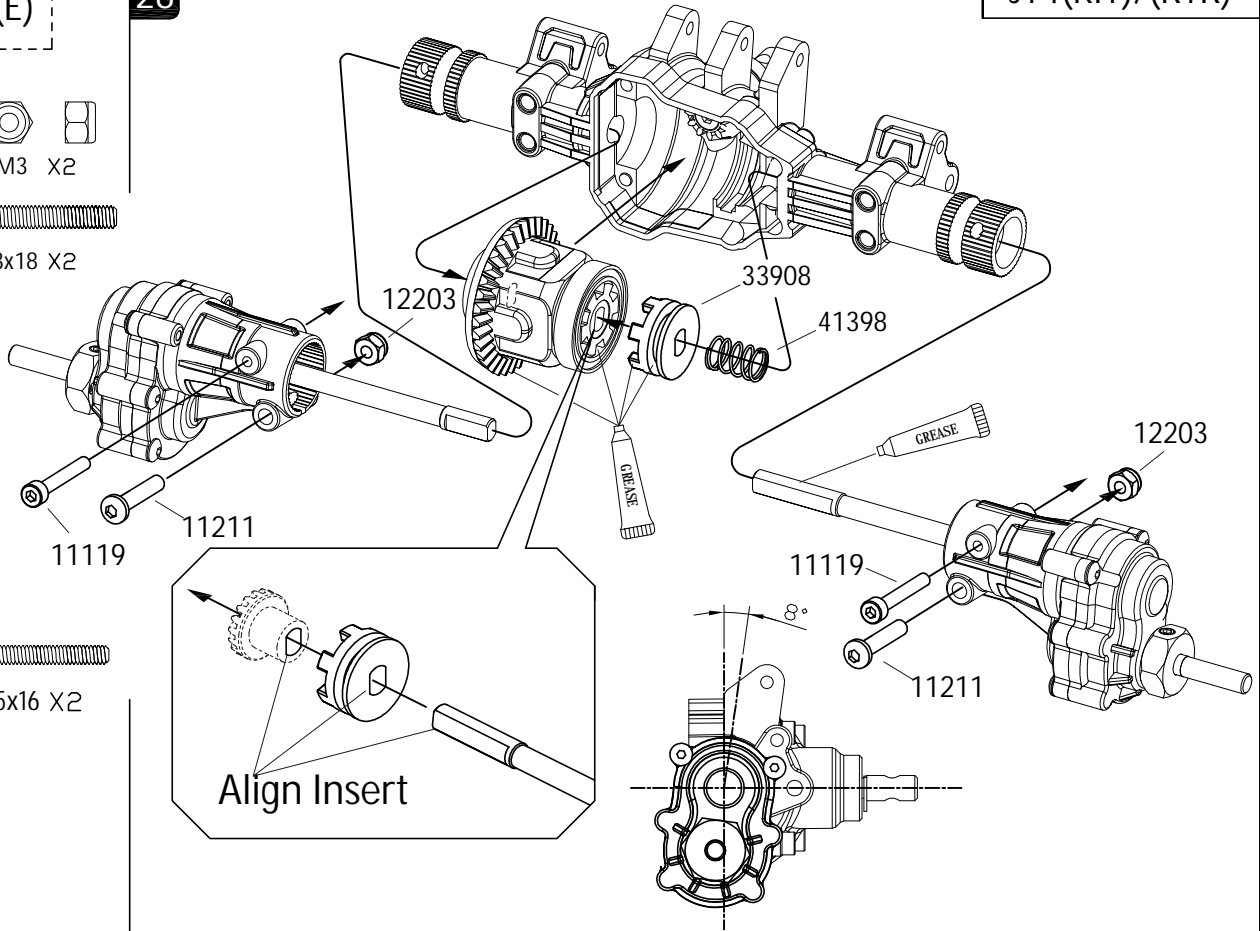
28

JT4(KIT)/(RTR)

12203  M3 X2


11211  M3x18 X2

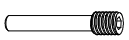
11119  M2.5x16 X2




29


JT4(KIT)/(RTR)

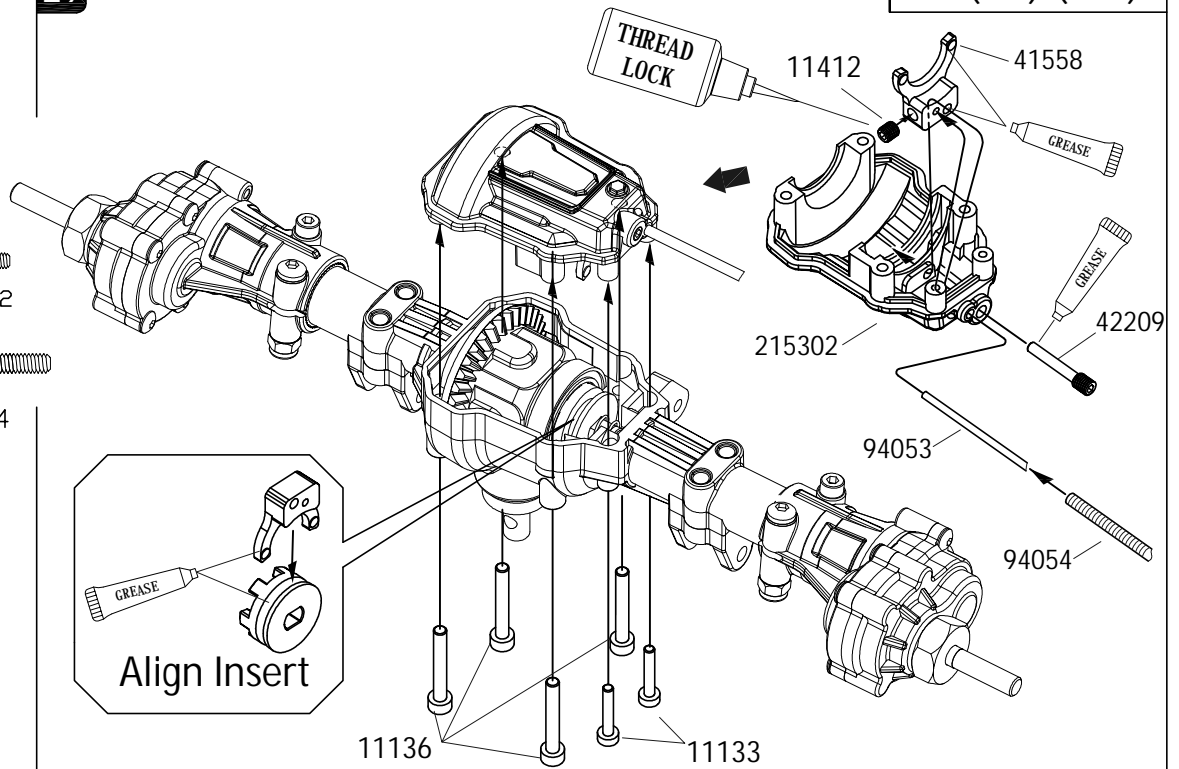
11412  M3x3 X1



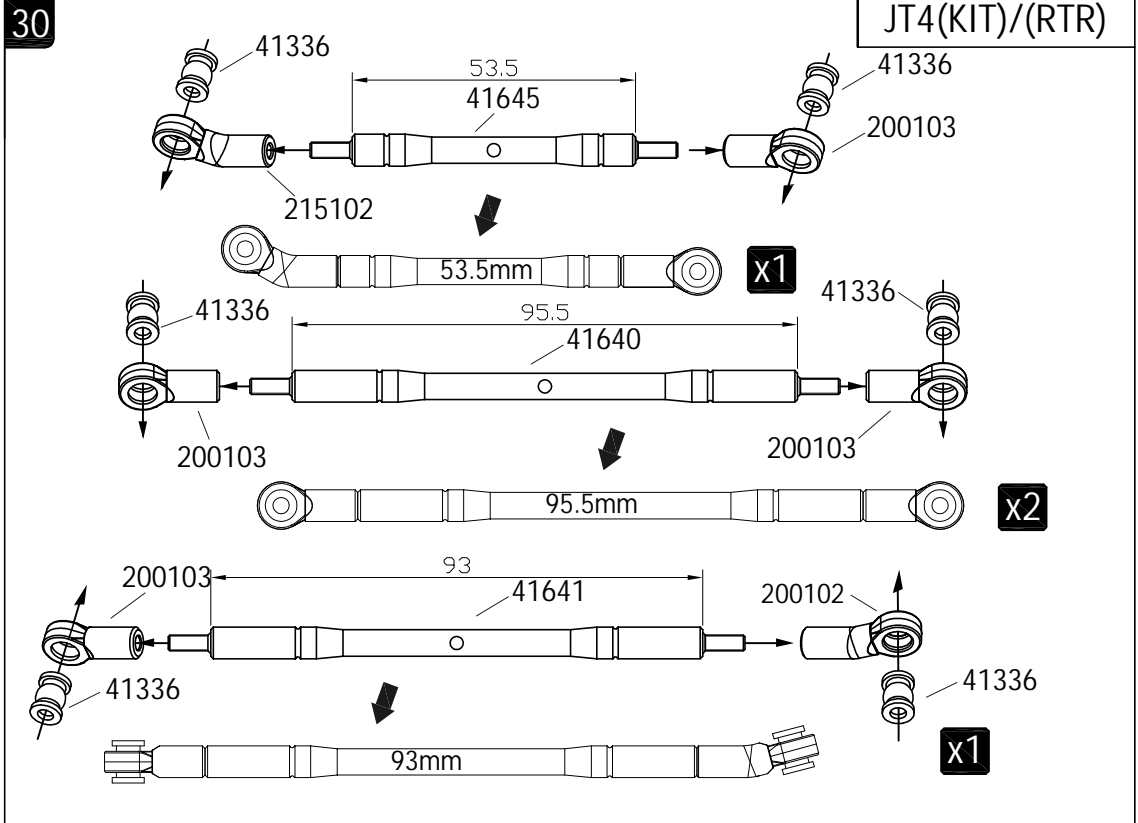
42209 X1

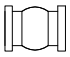
11133  M2x12 X2

11136  M2.5x18 X4

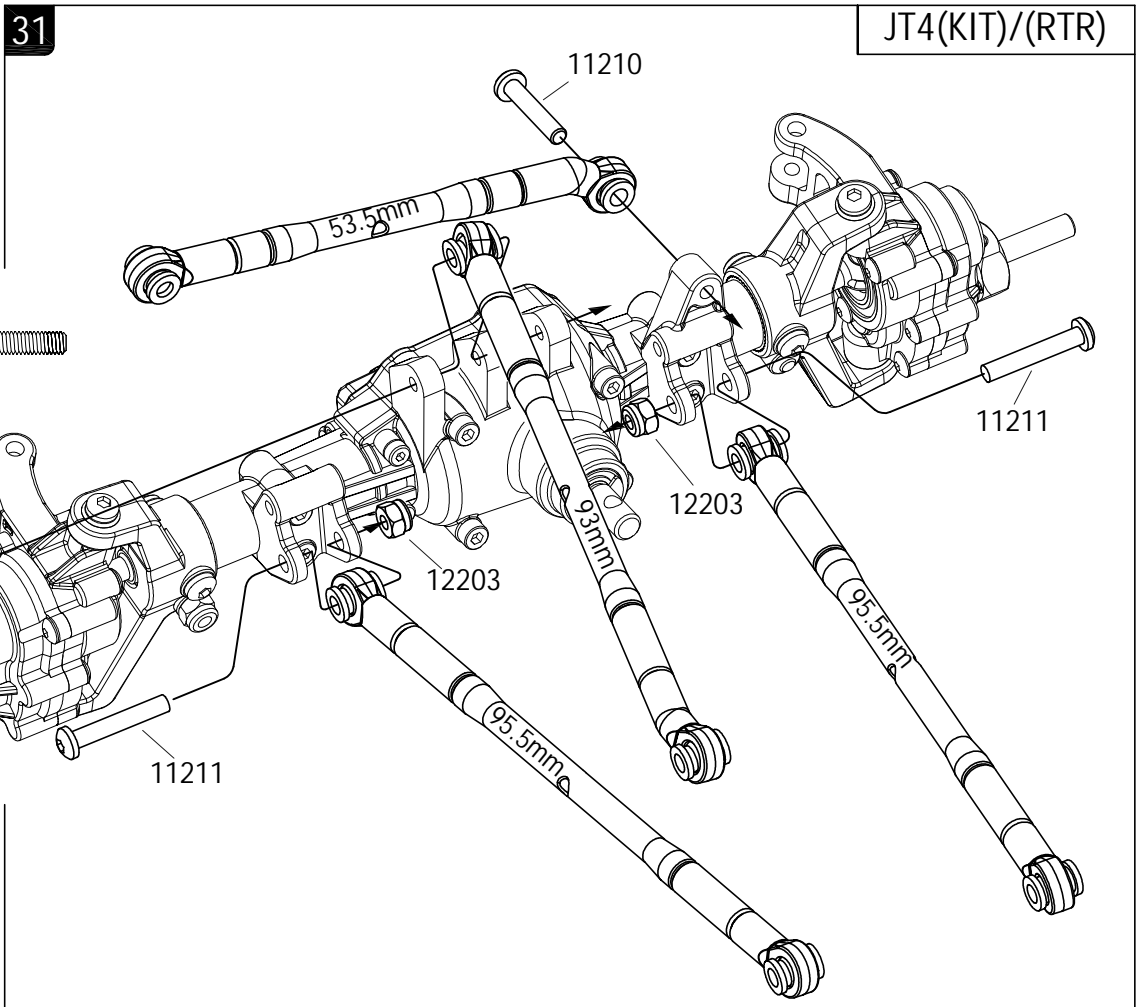



BAG(G)  
BAG(H)





  
41336 X8

BAG(ZA)



11210   
M3x16 X1


11211   
M3x18 X2

11215   
M3x28 X1

11215

11211

12203

  
M3 X2

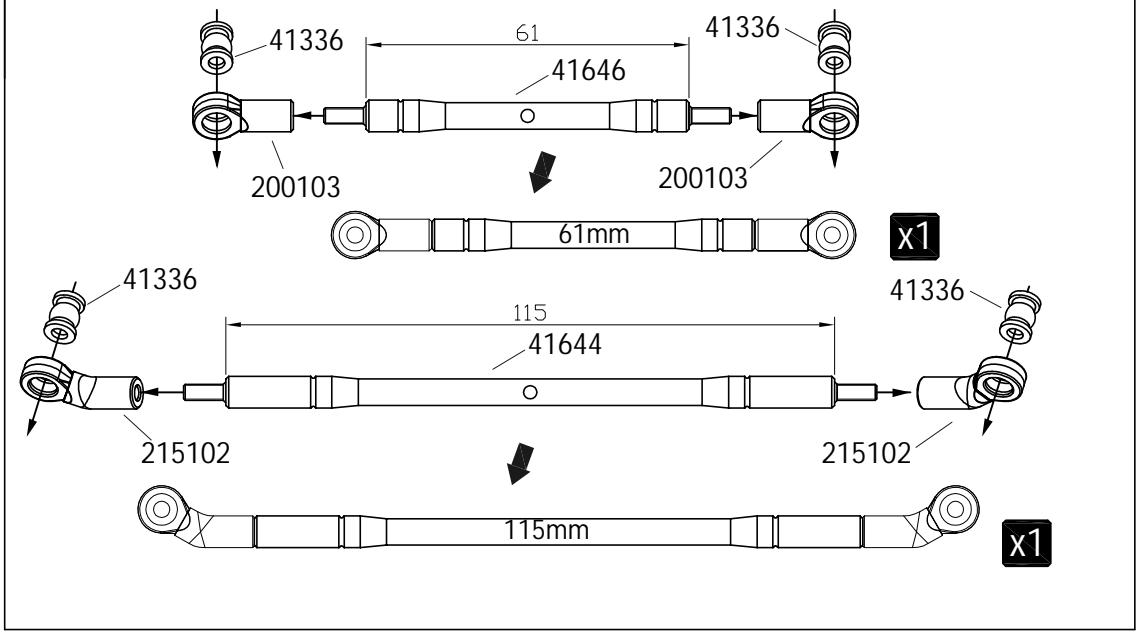
BAG(G)

BAG(H)

41336 X4

32

JT4(KIT)/(RTR)



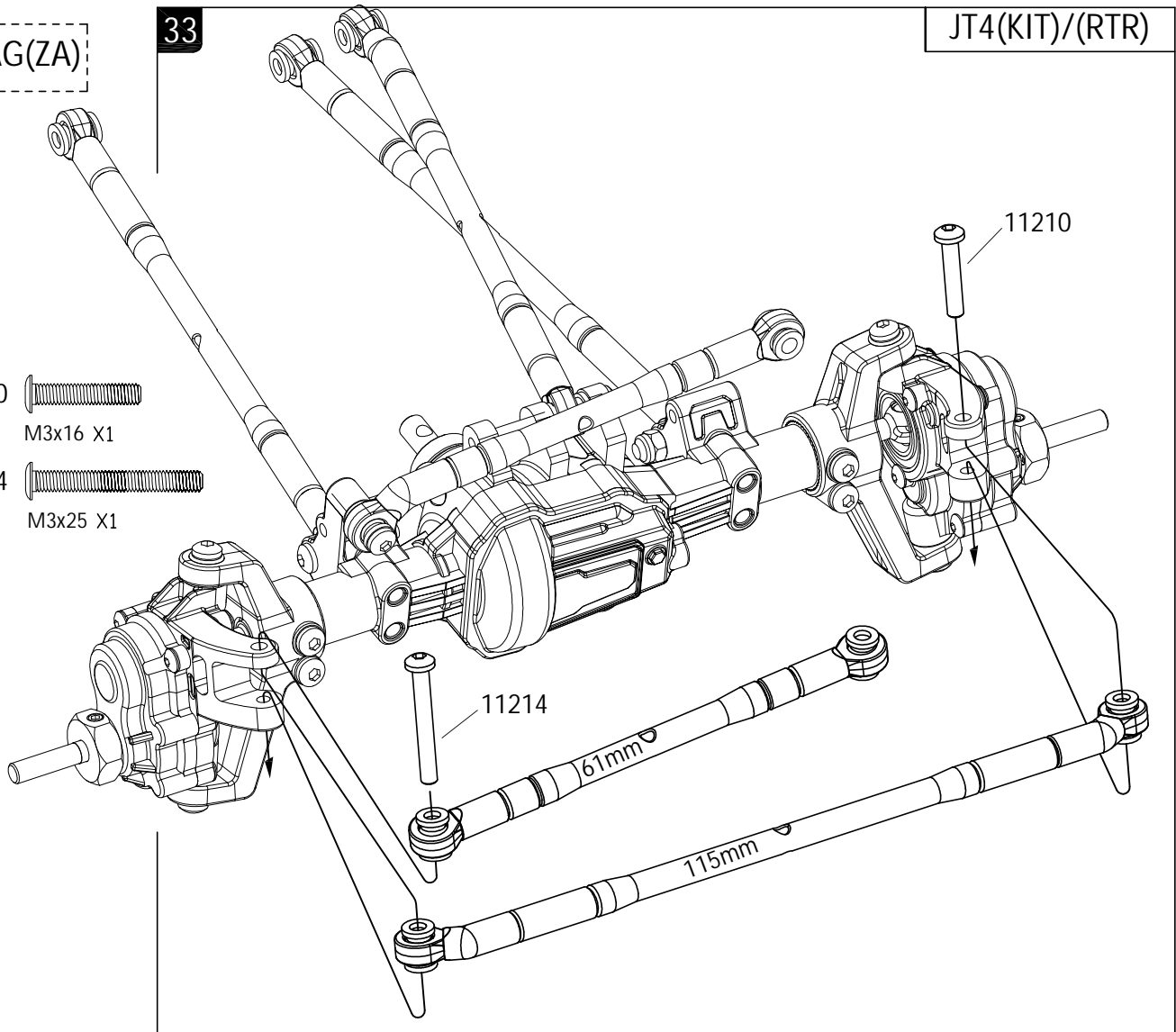
BAG(ZA)

33

JT4(KIT)/(RTR)

11210 M3x16 X1

11214 M3x25 X1



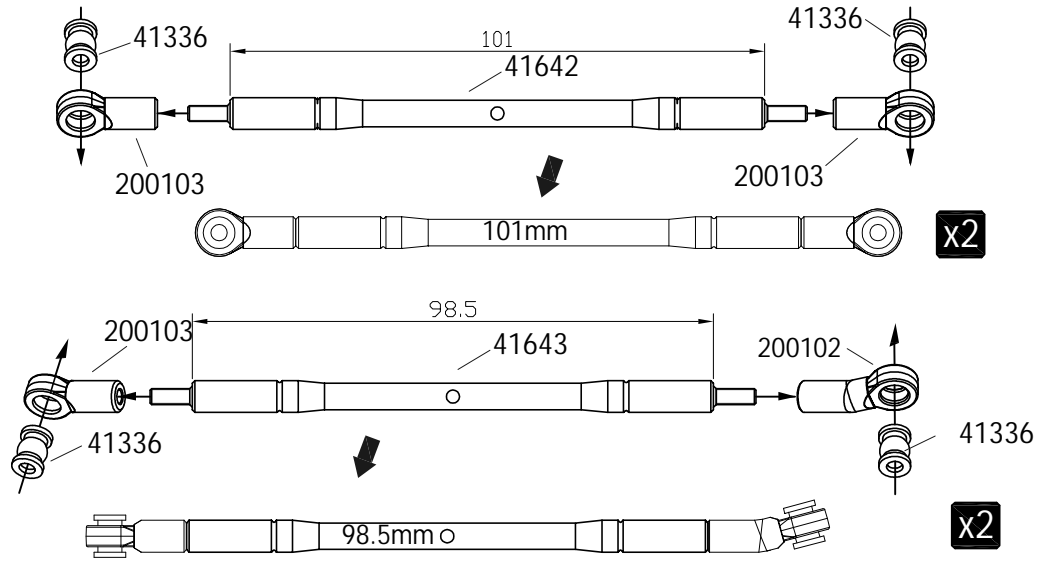
BAG(G)

BAG(H)

34

JT4(KIT)/(RTR)


41336 X8






BAG(ZA)

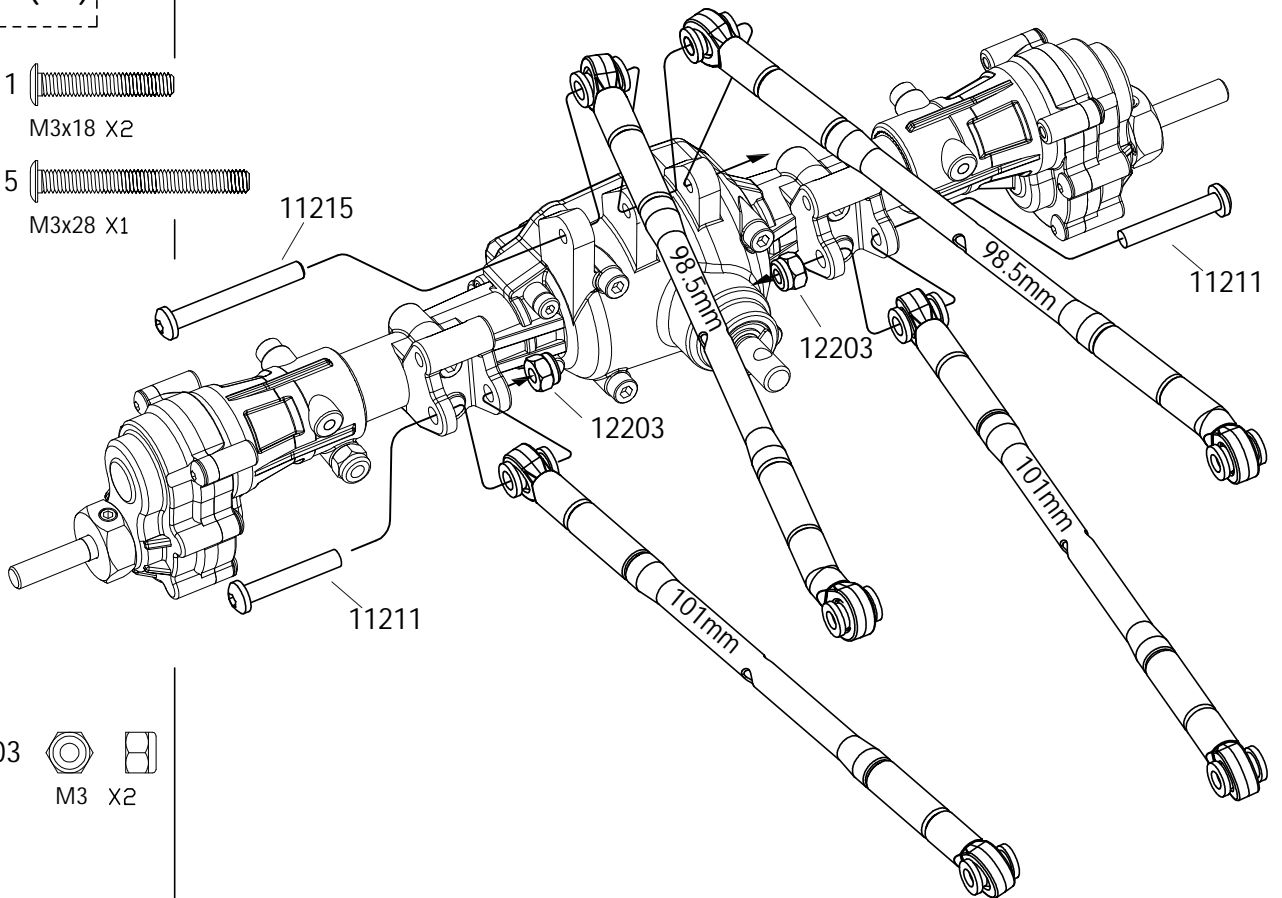
35

JT4(KIT)/(RTR)

11211   
M3x18 X2

11215   
M3x28 X1


12203    
M3 X2

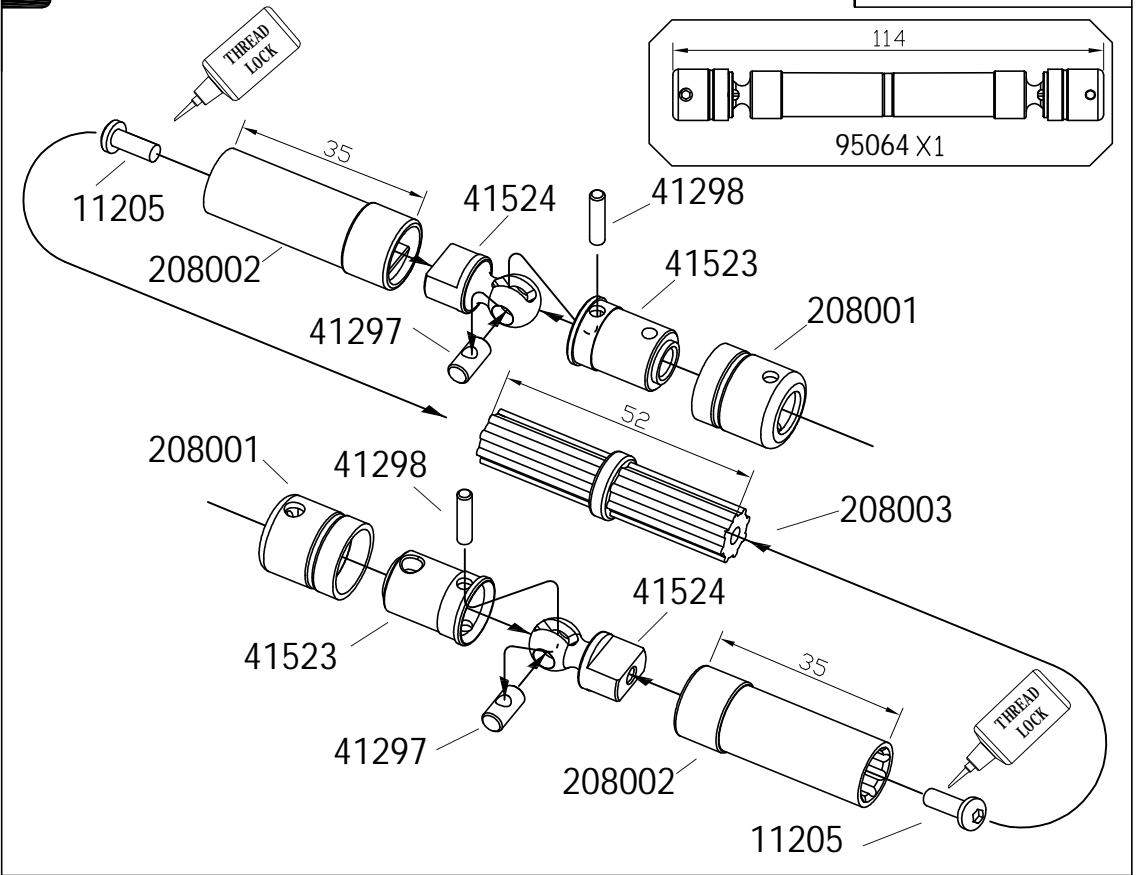


36

JT4(KIT)/(RTR)

BAG(I)


11205   
M3x6 X2

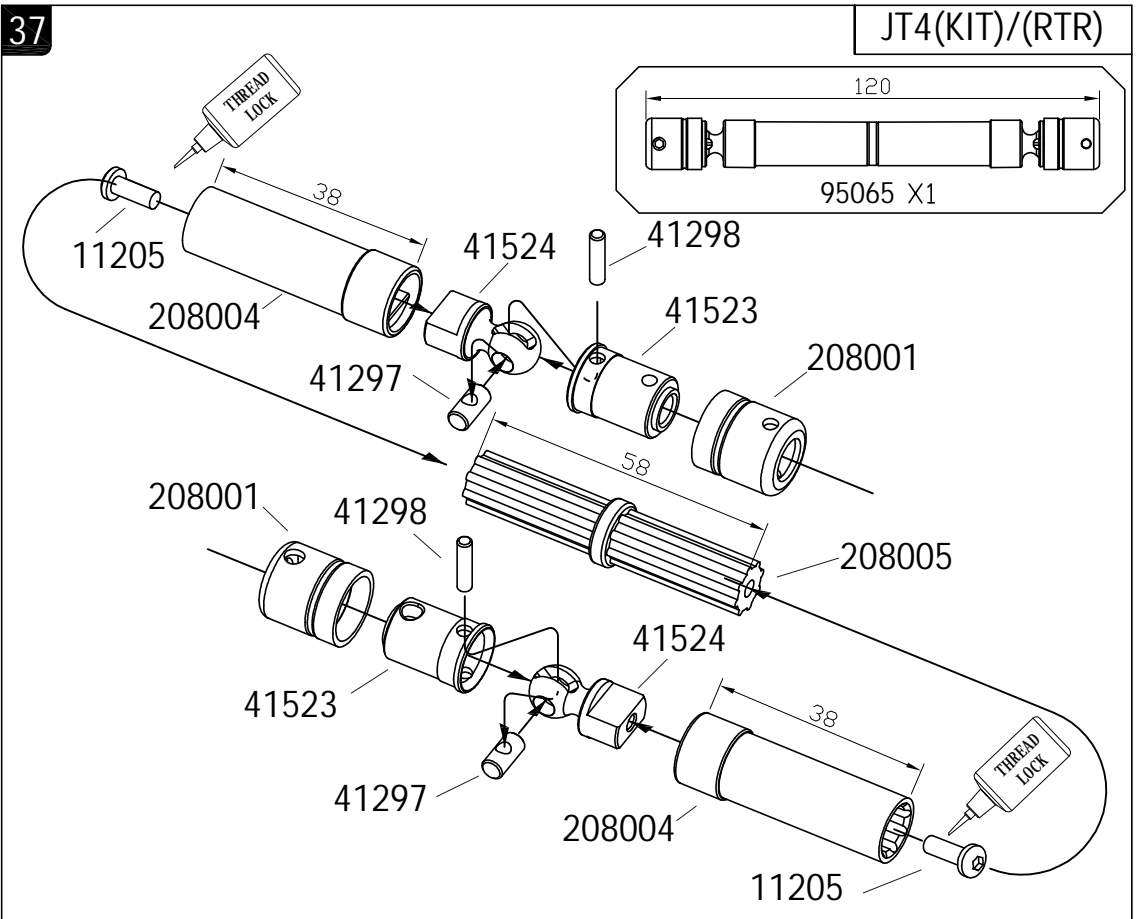


37

JT4(KIT)/(RTR)

BAG(I)


11205   
M3x6 X2

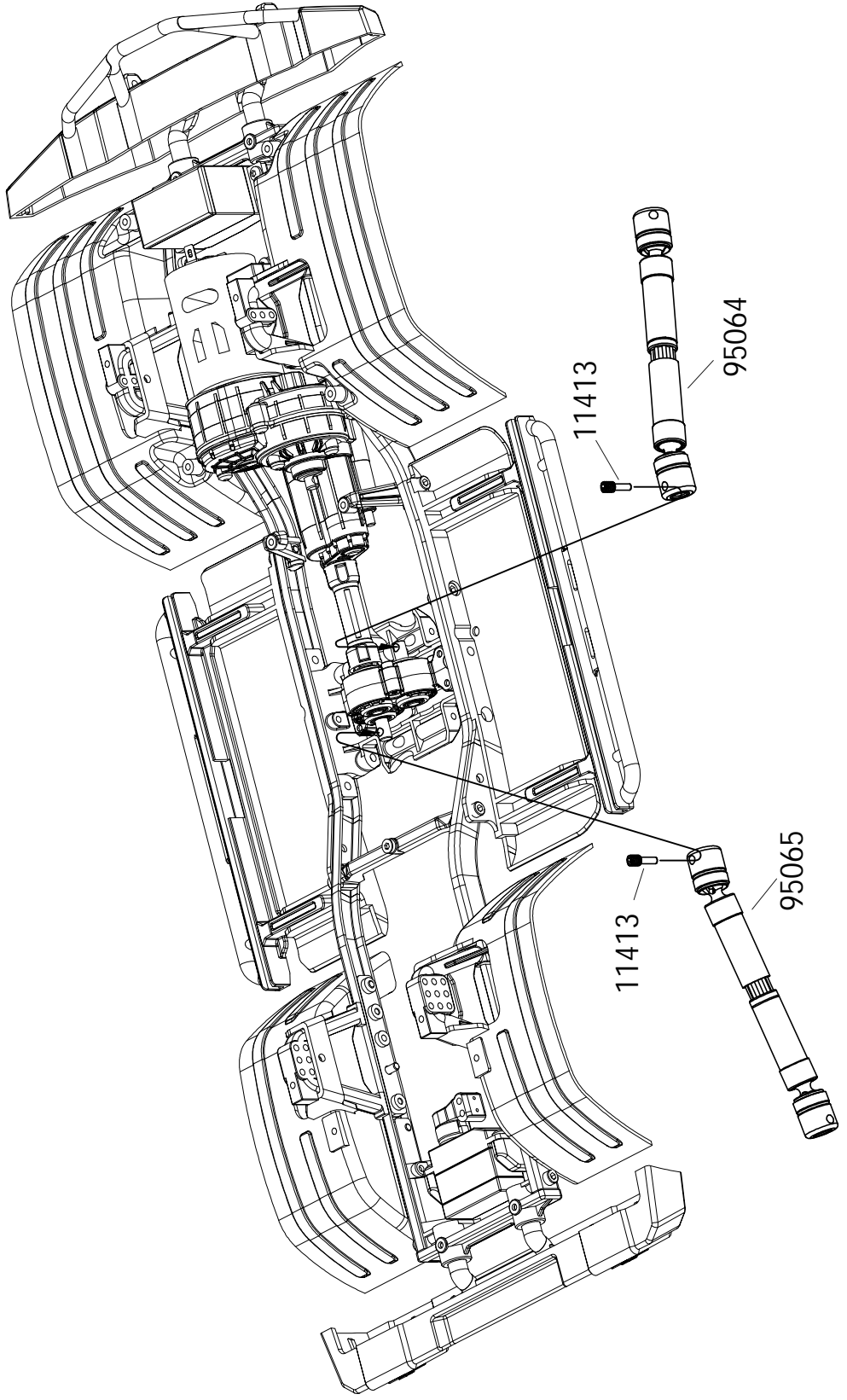


BAG(I)


38

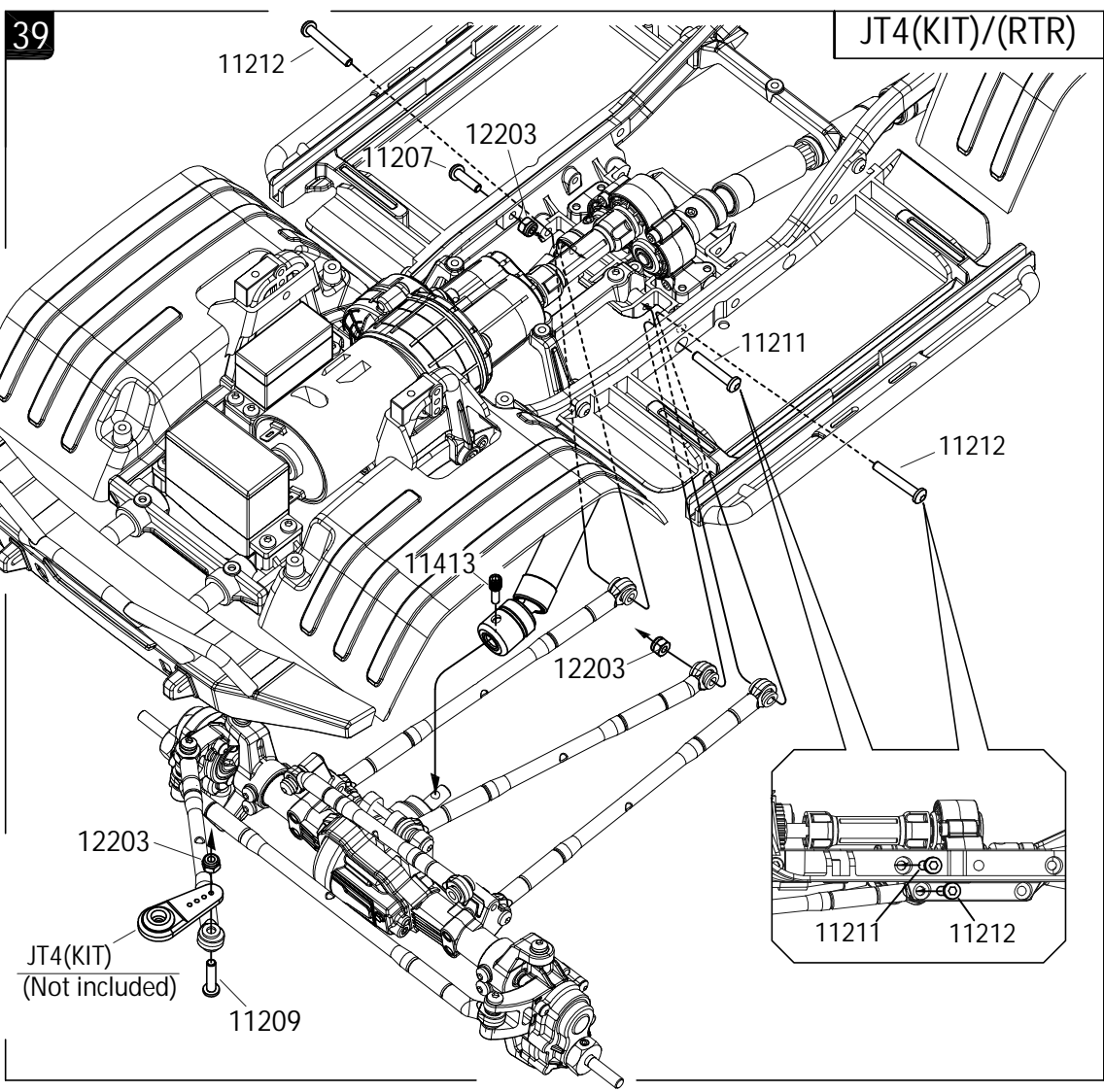
JT4(KIT)/(RTR)

11413   
M4x12x2








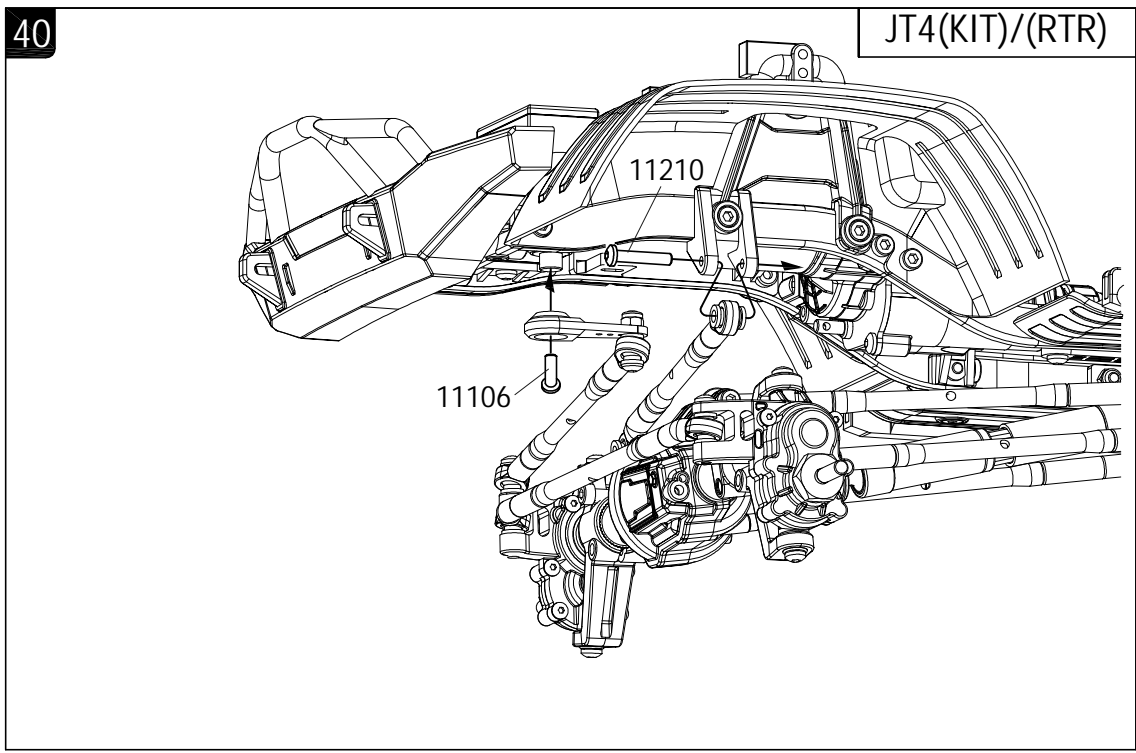
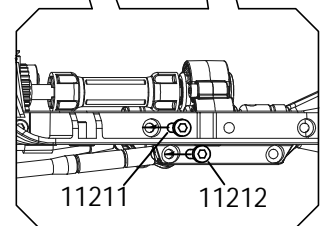
BAG(I)



- 11413  M4x12 X1



BAG(ZA)

- 11207  M3x10 X1
- 11209  M3x14 X1
- 12203  M3 X3
- 11211  M3x18 X1
- 11212  M3x20 X2




- 11206  M3x8 X1
- 11210  M3x16 X1

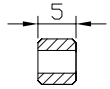
BAG(ZA)

41

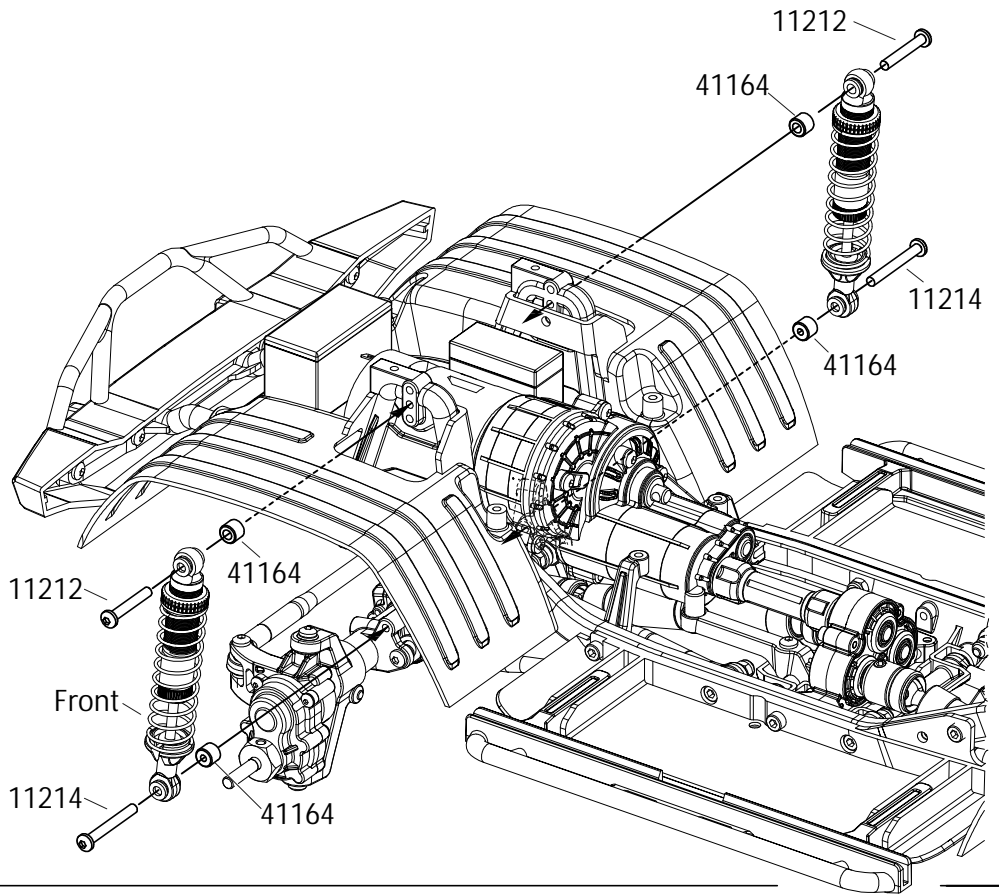
JT4(KIT)/(RTR)

11212   
M3x20 X2

11214   
M3x25 X2


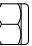



41164 X4



42

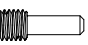
JT4(KIT)/(RTR)

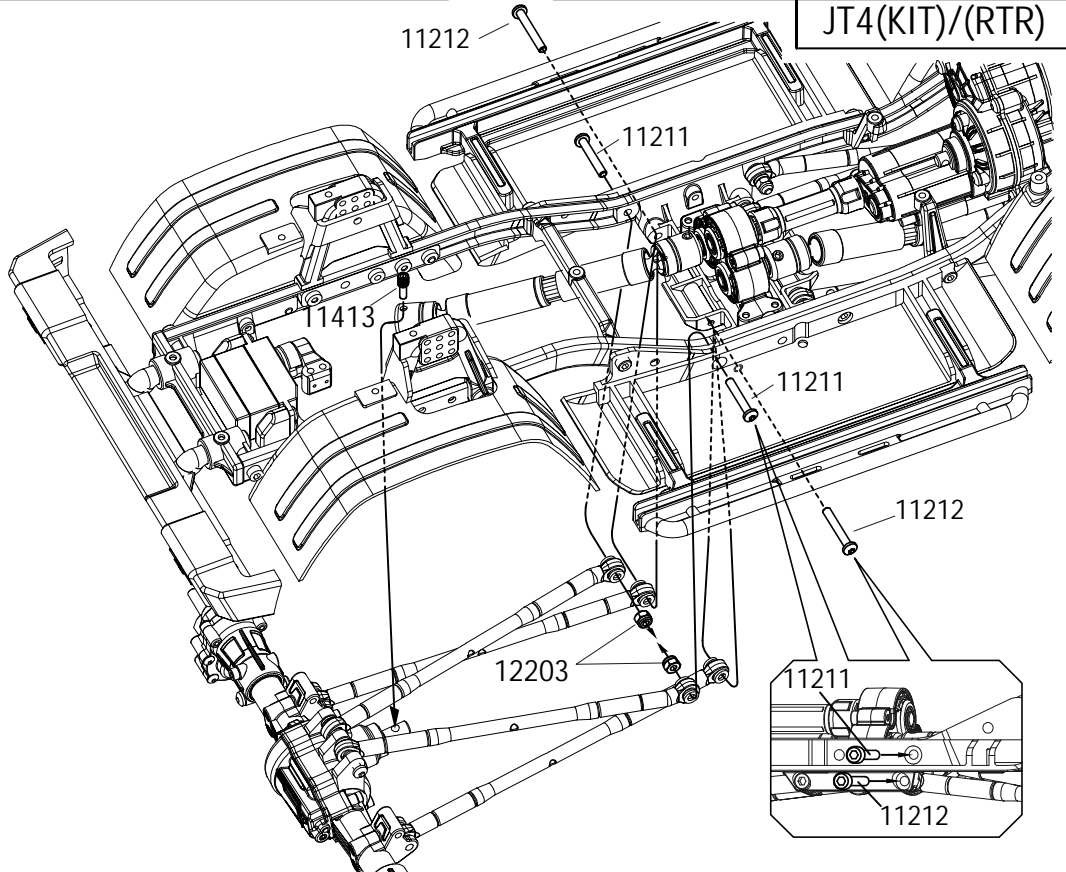
12203    
M3 X2

11211   
M3x18 X2

11212   
M3x20 X2

BAG(I)

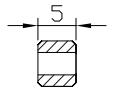
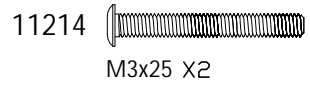
11413   
M4x12 X1



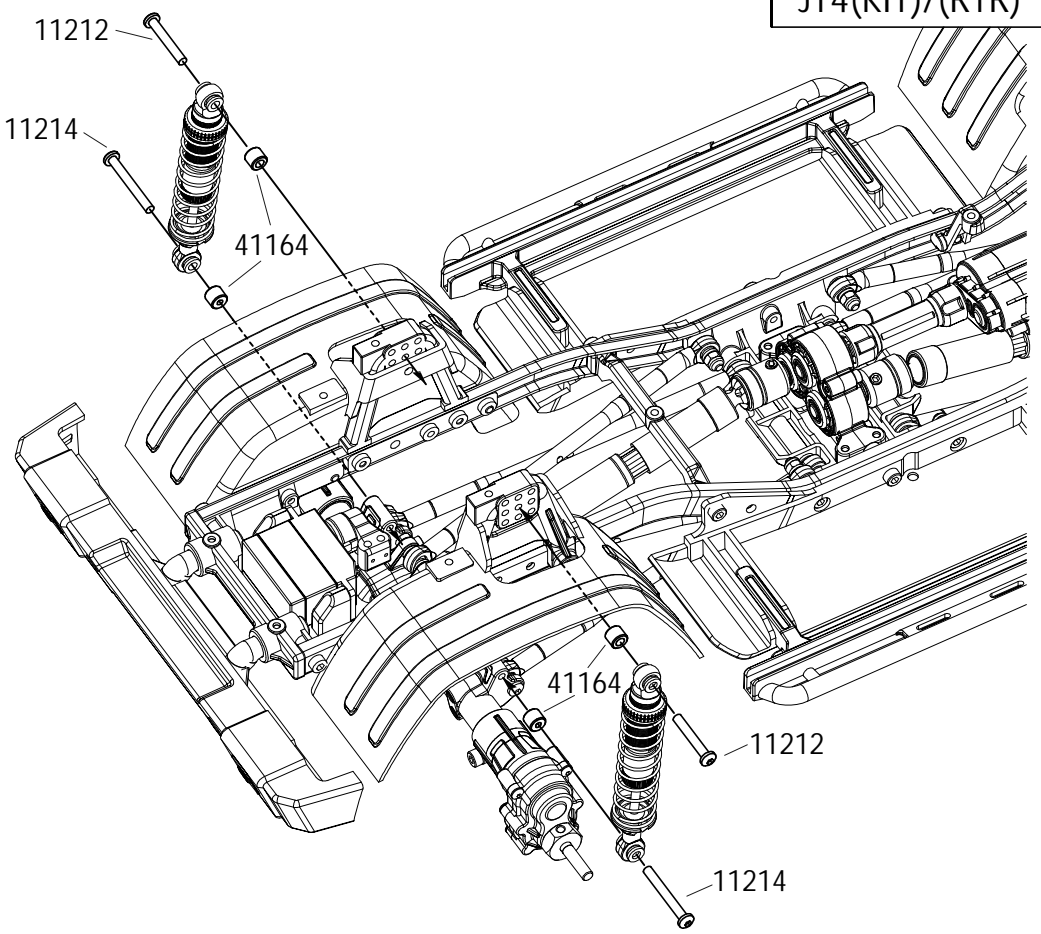
BAG(ZA)

43

JT4(KIT)/(RTR)

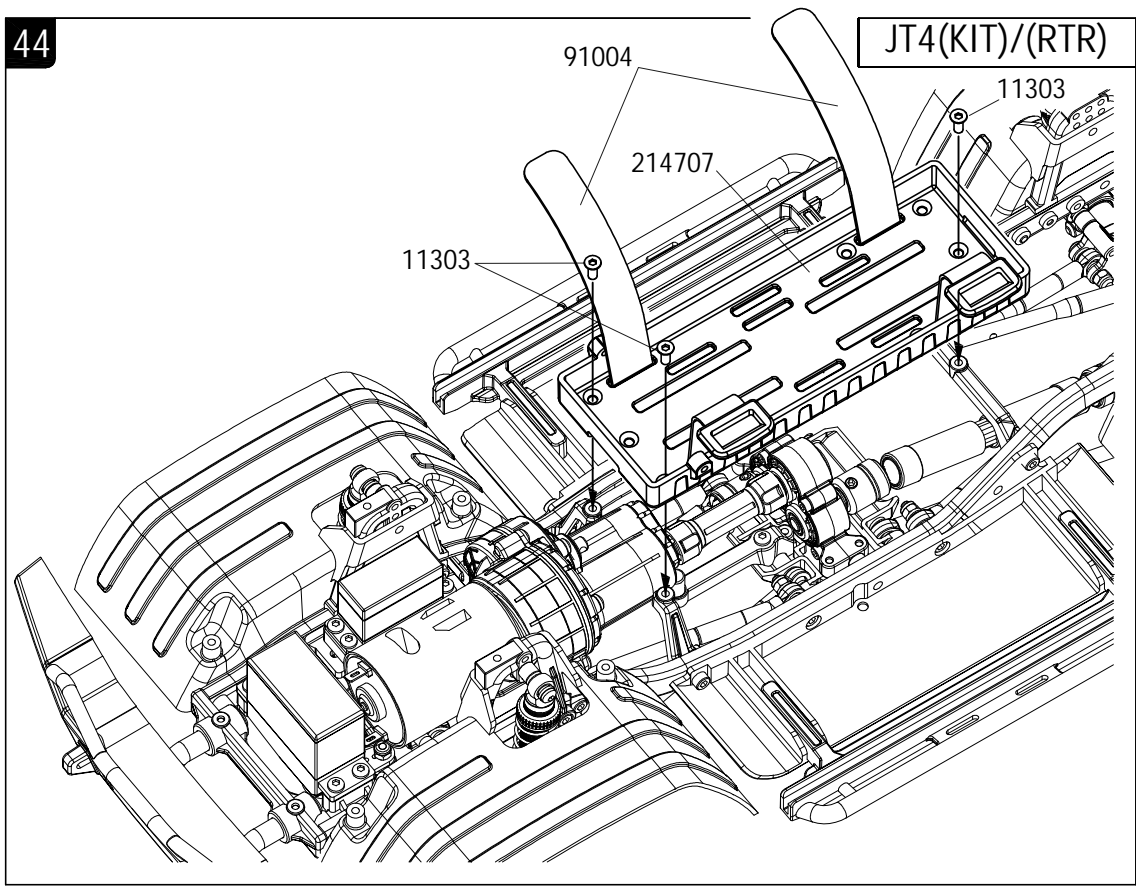
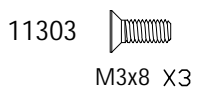


41164 X4



44


JT4(KIT)/(RTR)




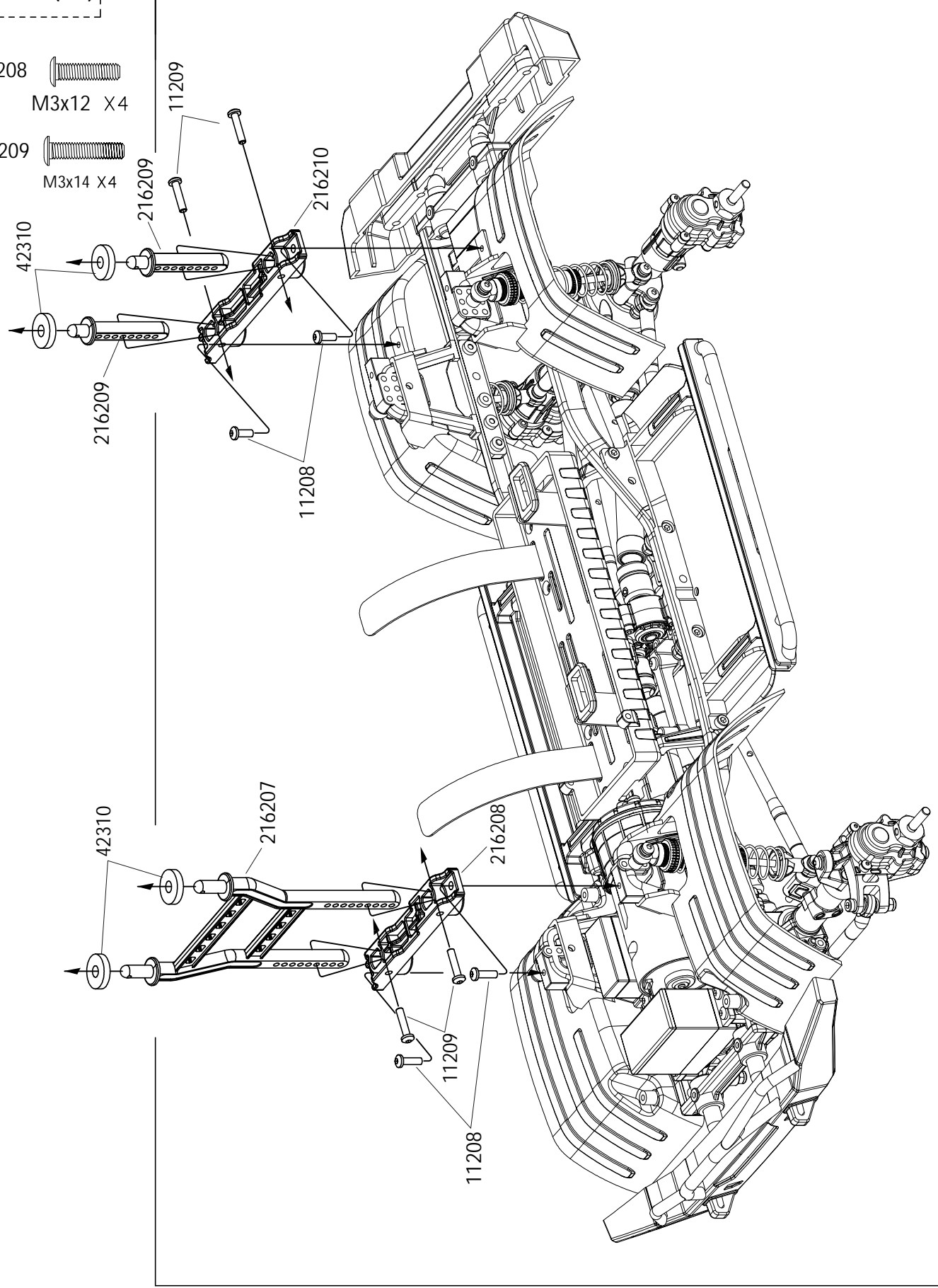
BAG(ZA)

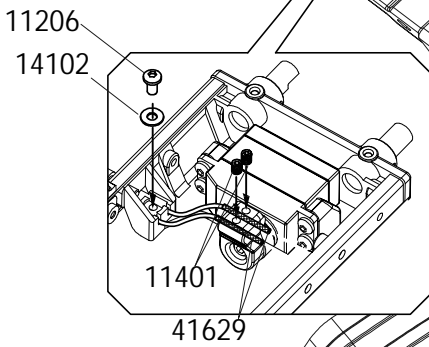
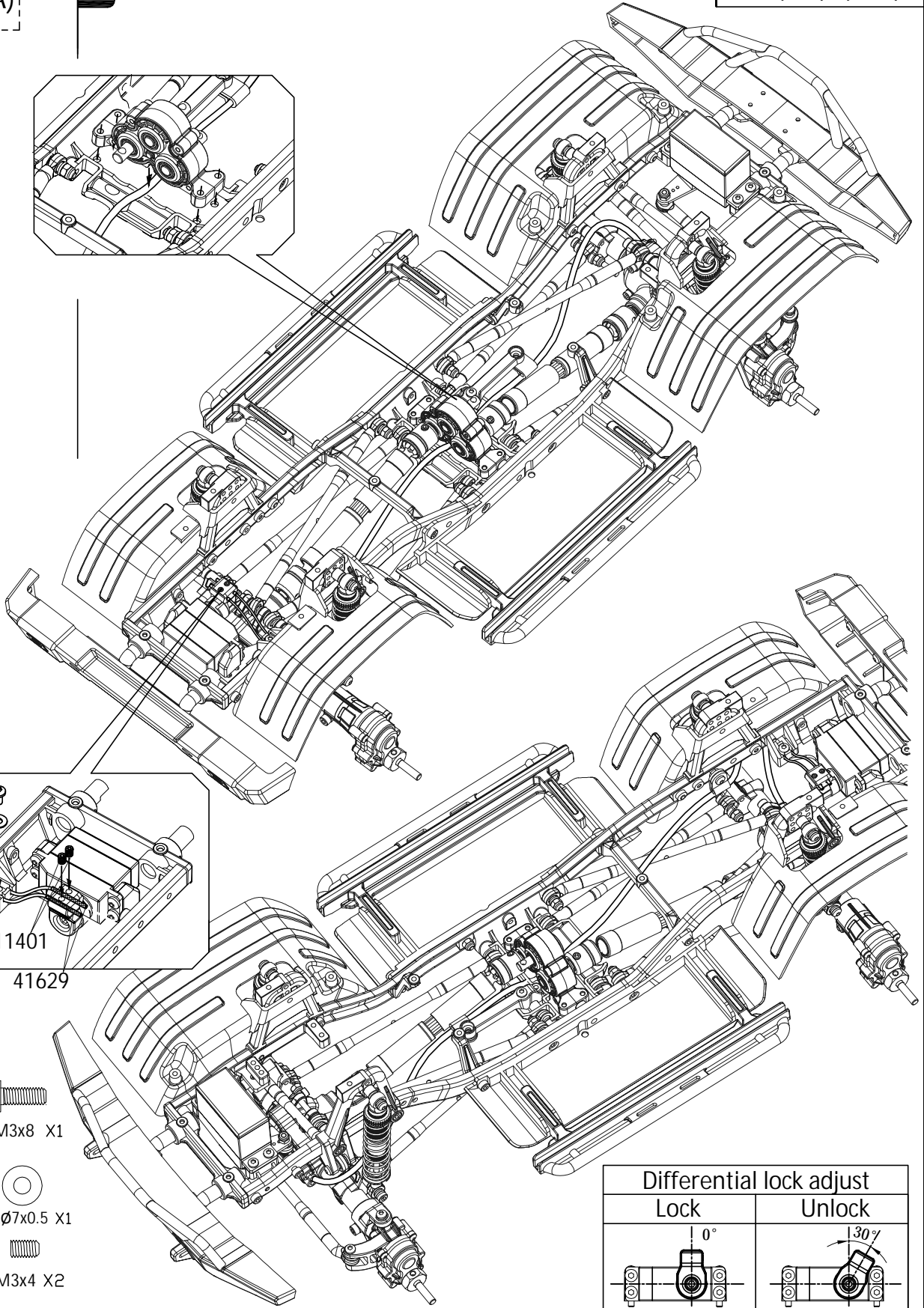
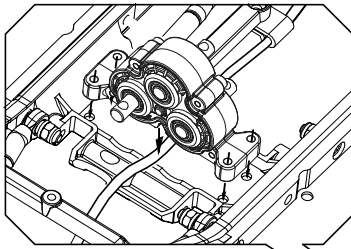
45




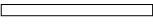
JT4(KIT)/(RTR)

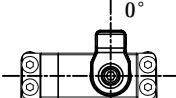
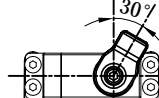
11208   
M3x12 X4

11209   
M3x14 X4





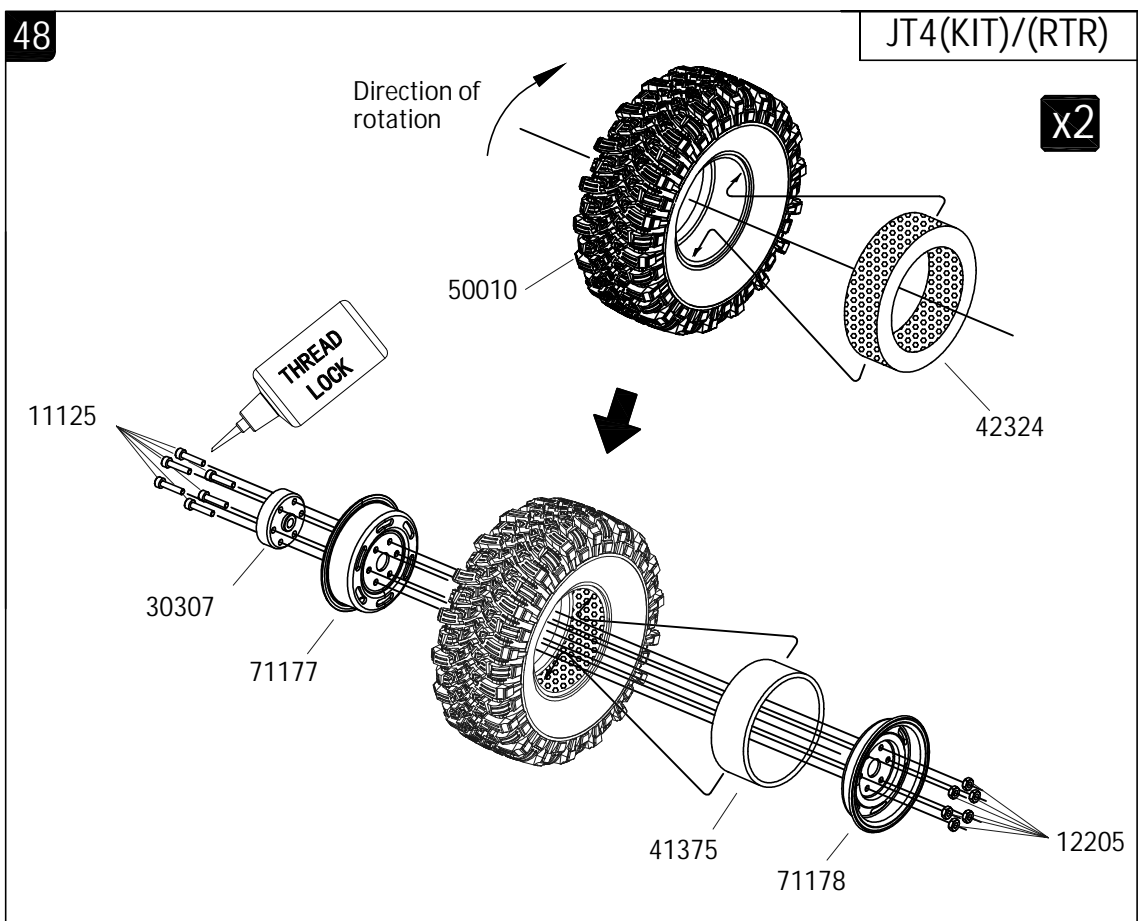
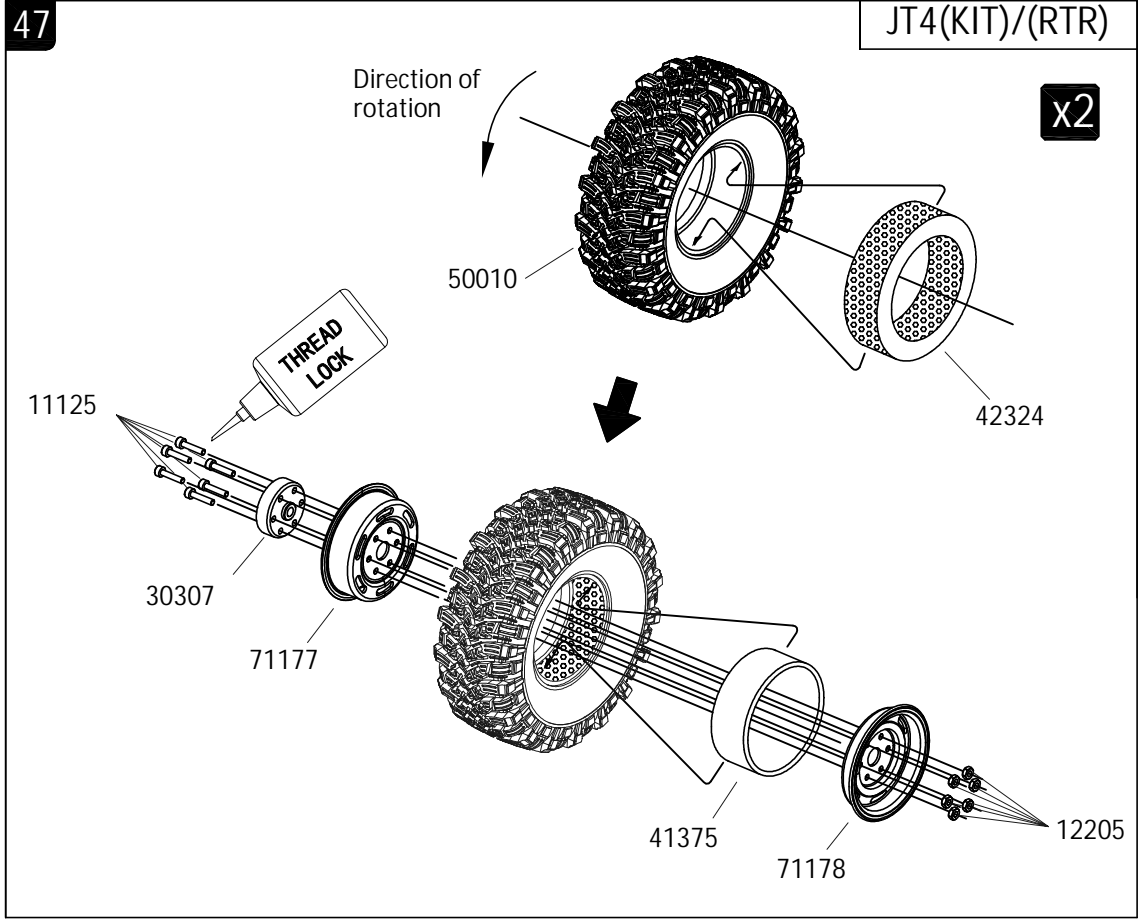


- 11206  M3x8 X1
- 14102   $\varnothing 3 \times \varnothing 7 \times 0.5$  X1
- 11401  M3x4 X2
- 41629   $\varnothing 1.5 \times \varnothing 1 \times 20 \times 2$

Differential lock adjust	
Lock	Unlock
 0°	 30°
Tips: when the lock is unlocked the cable is pulled out about 4mm	

BAG(A)

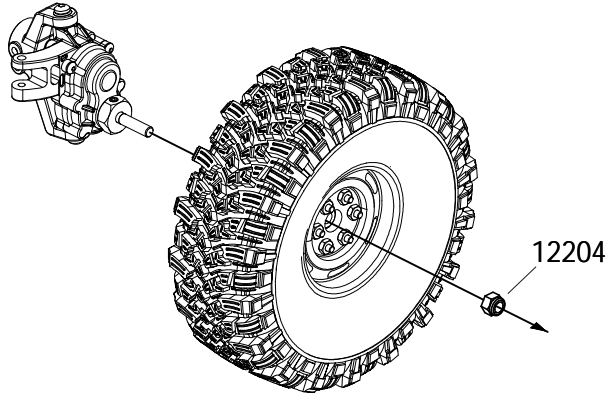
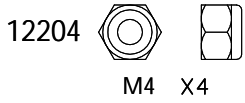
- 11125  M2.5x10 X12
- 12105  M2.5 X12



49

JT4(KIT)/(RTR)

BAG(A)

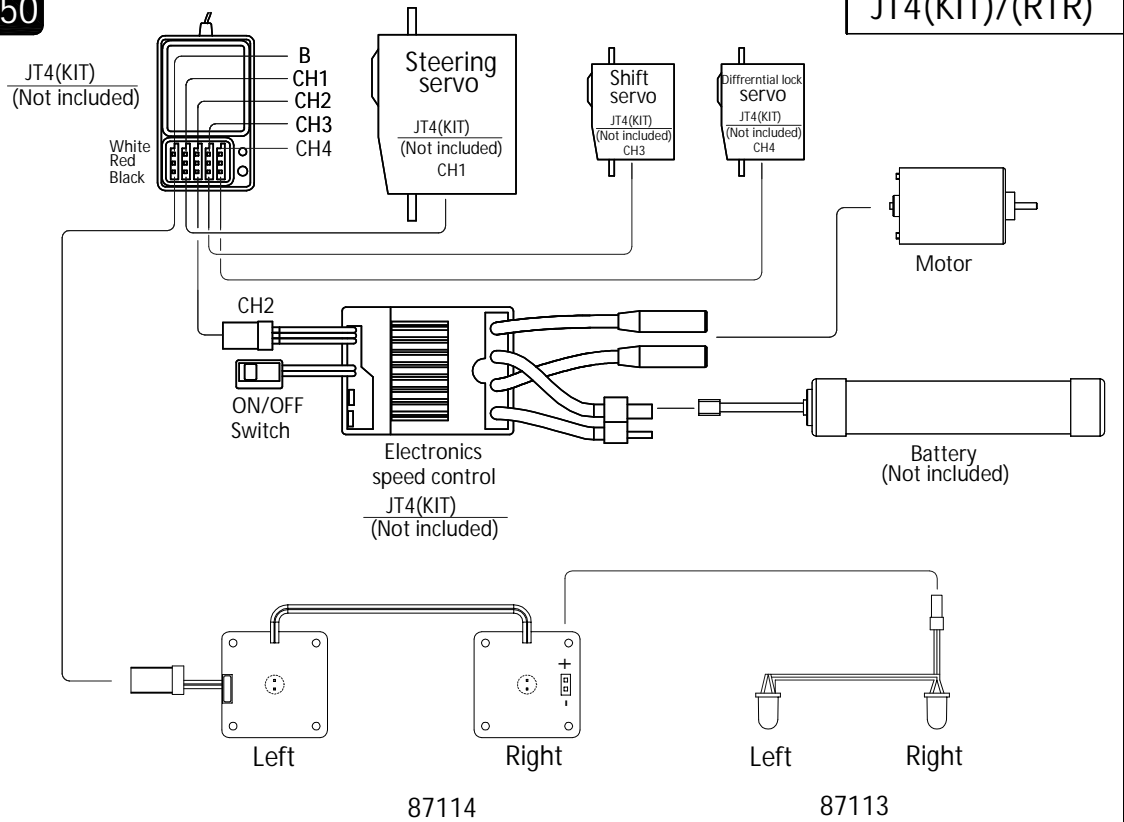


x4

50

JT4(KIT)/(RTR)

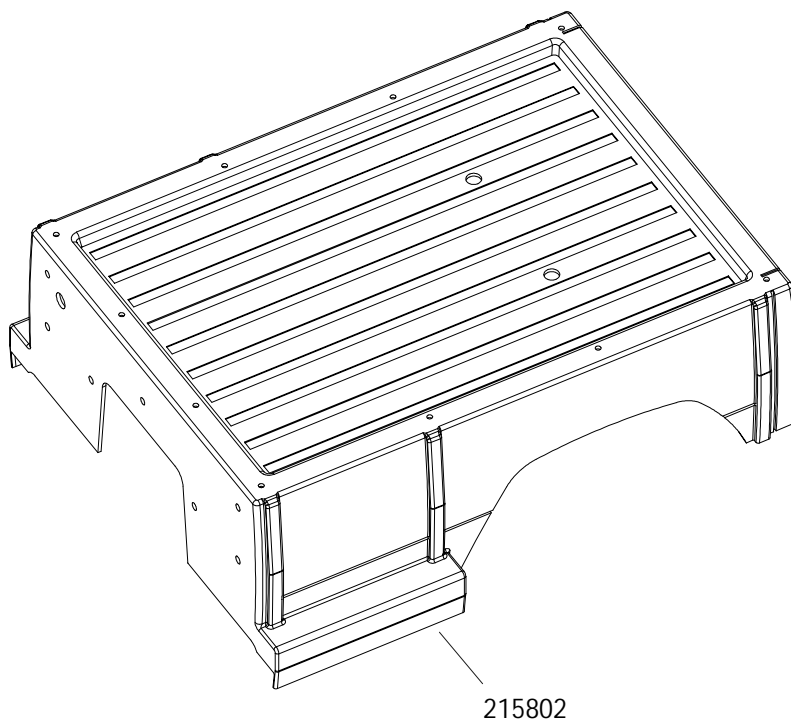
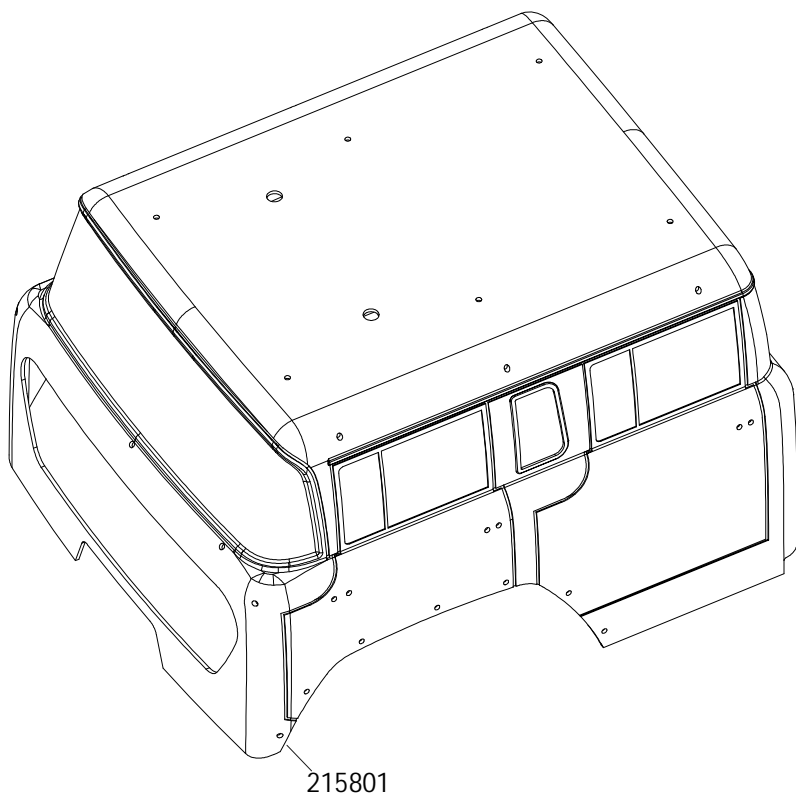
BAG(X)



BAG(U)

51

JT4(KIT)

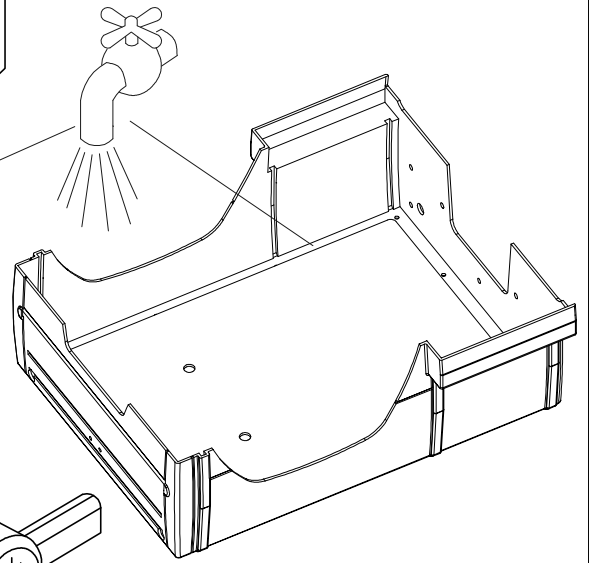
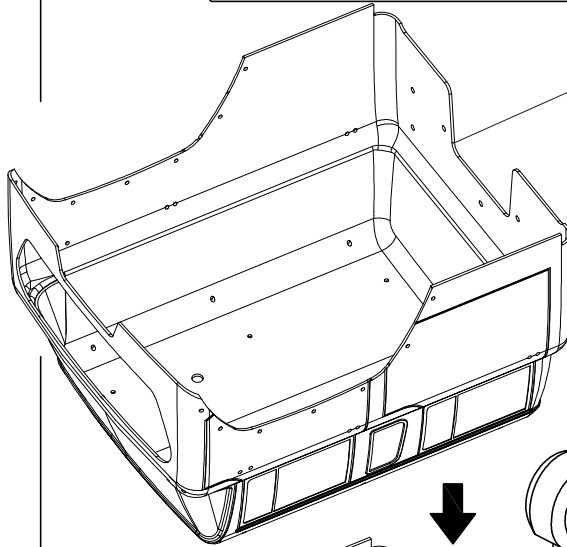


JT4(KIT)

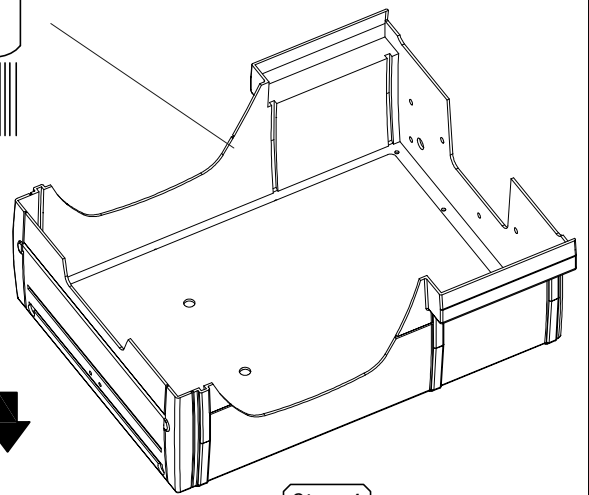
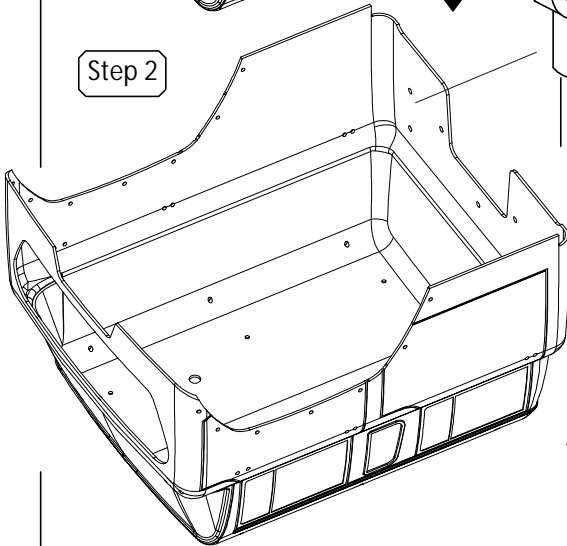
52

Step 1

Wash the inside of the body shell with mild detergent, then rinse and dry thoroughly.



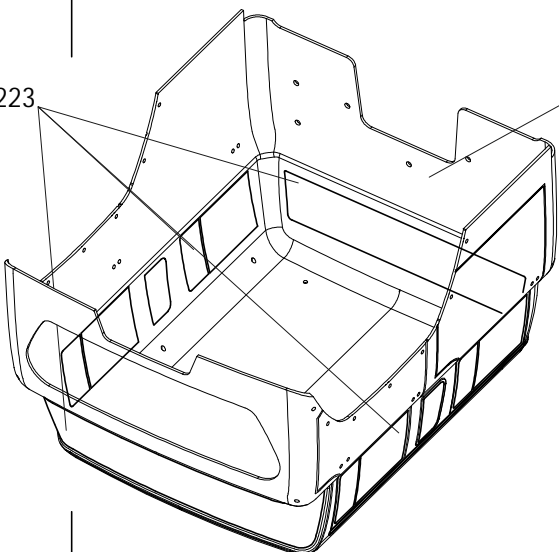
Step 2



Step 3

Mask the windows on the inside with masking tape.

85223

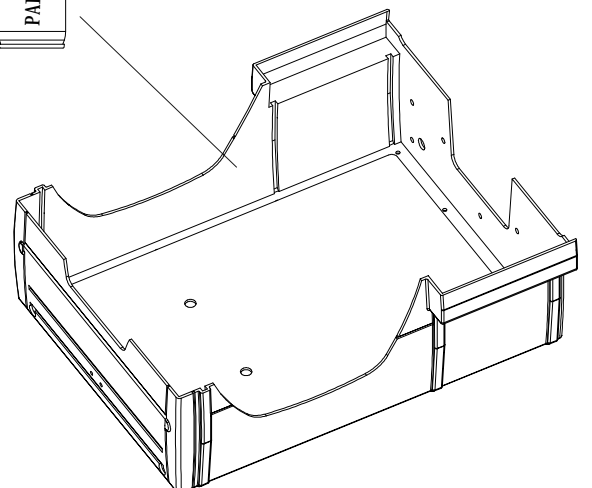


Step 4

Paint the body with polycarbonate spray paints.

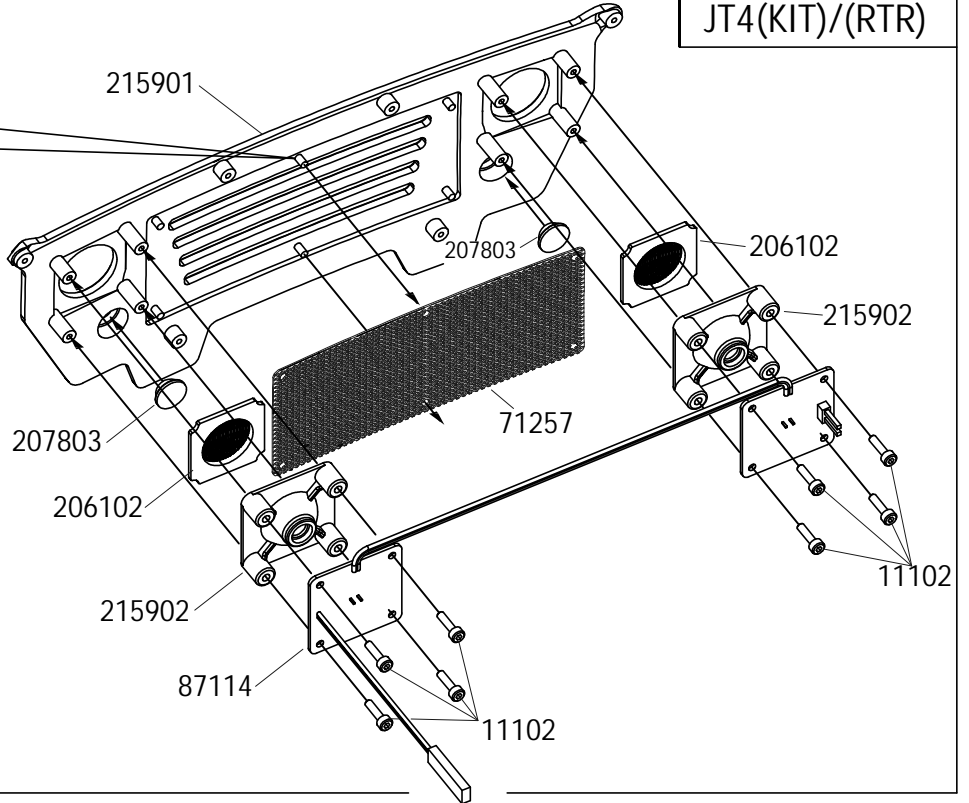
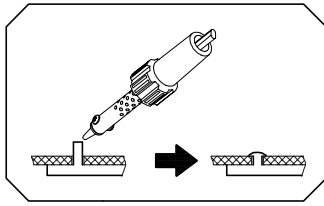


\* When the paint is dry, rKITve the masking.  
\* When you have finished painting, peel off the external protective films.

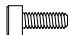


53

JT4(KIT)/(RTR)



BAG(ZA)

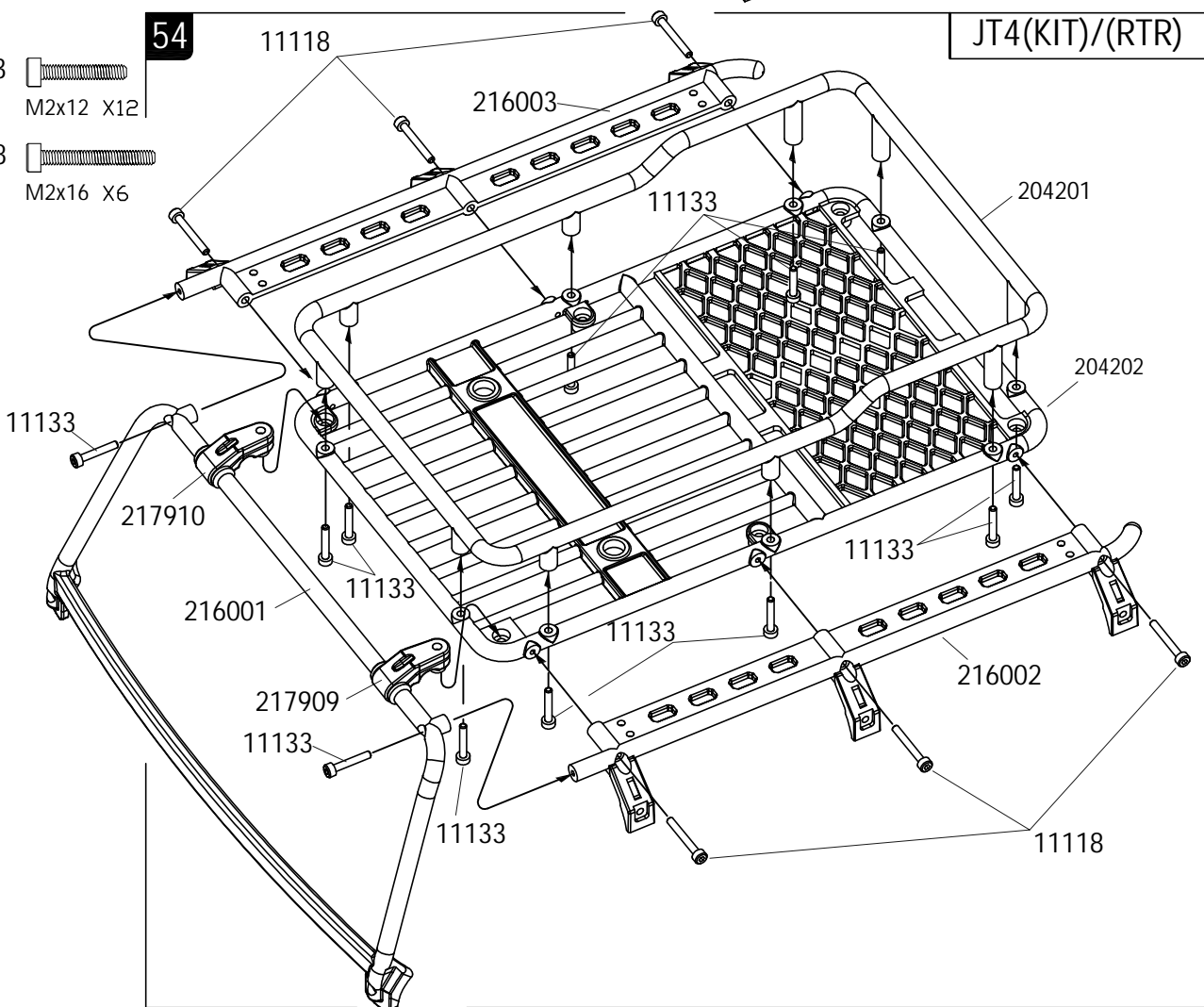
11102  M2x6 X8

54

JT4(KIT)/(RTR)

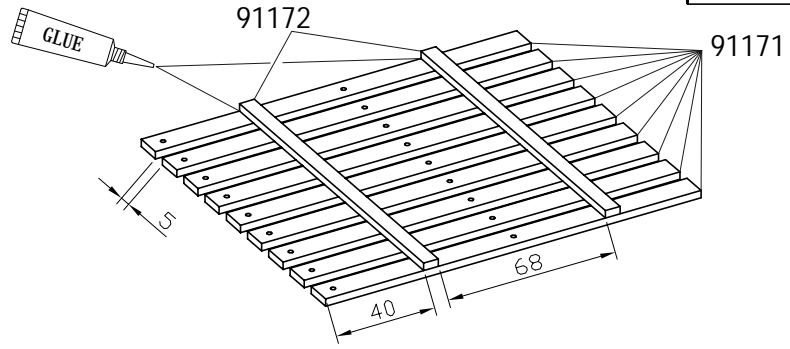
11133  M2x12 X12

11118  M2x16 X6

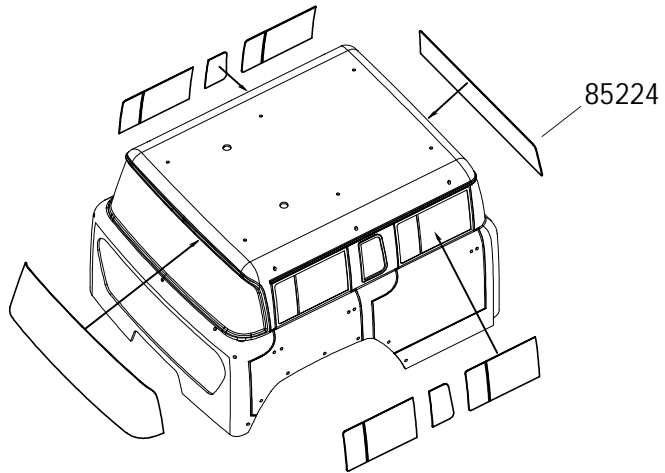


55

JT4(KIT)/(RTR)




56





BAG(ZA)


57

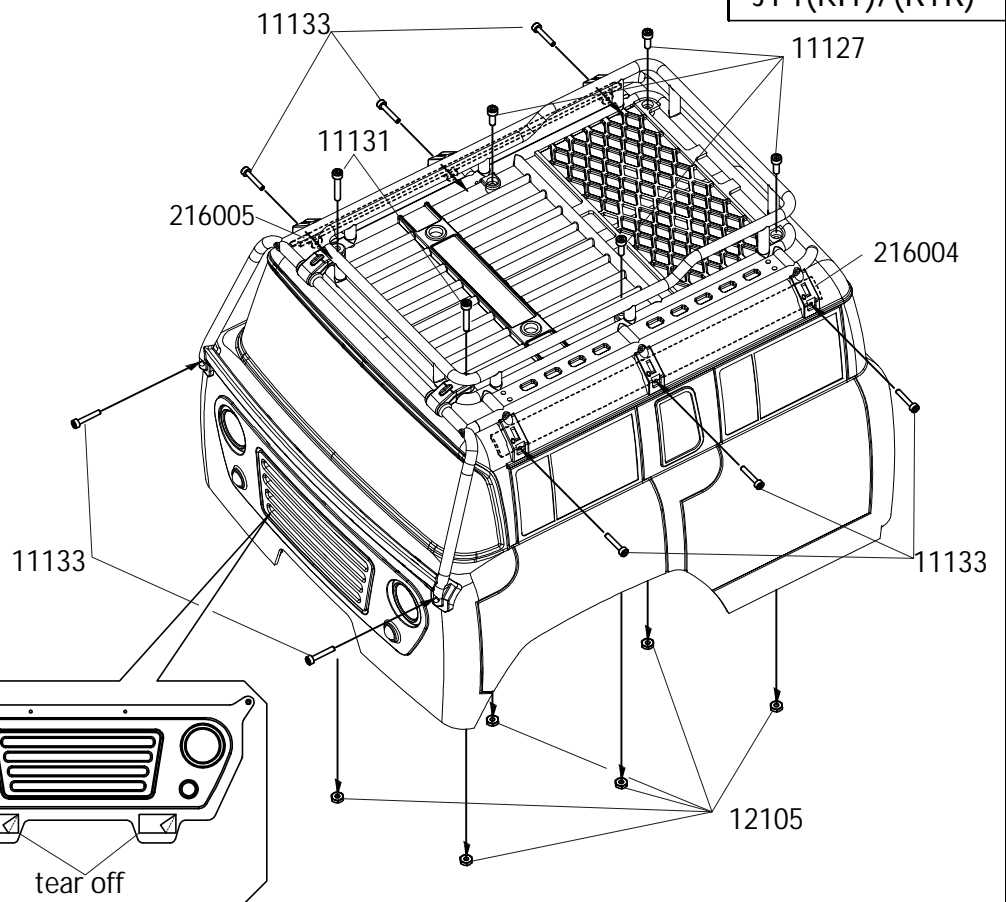
JT4(KIT)/(RTR)

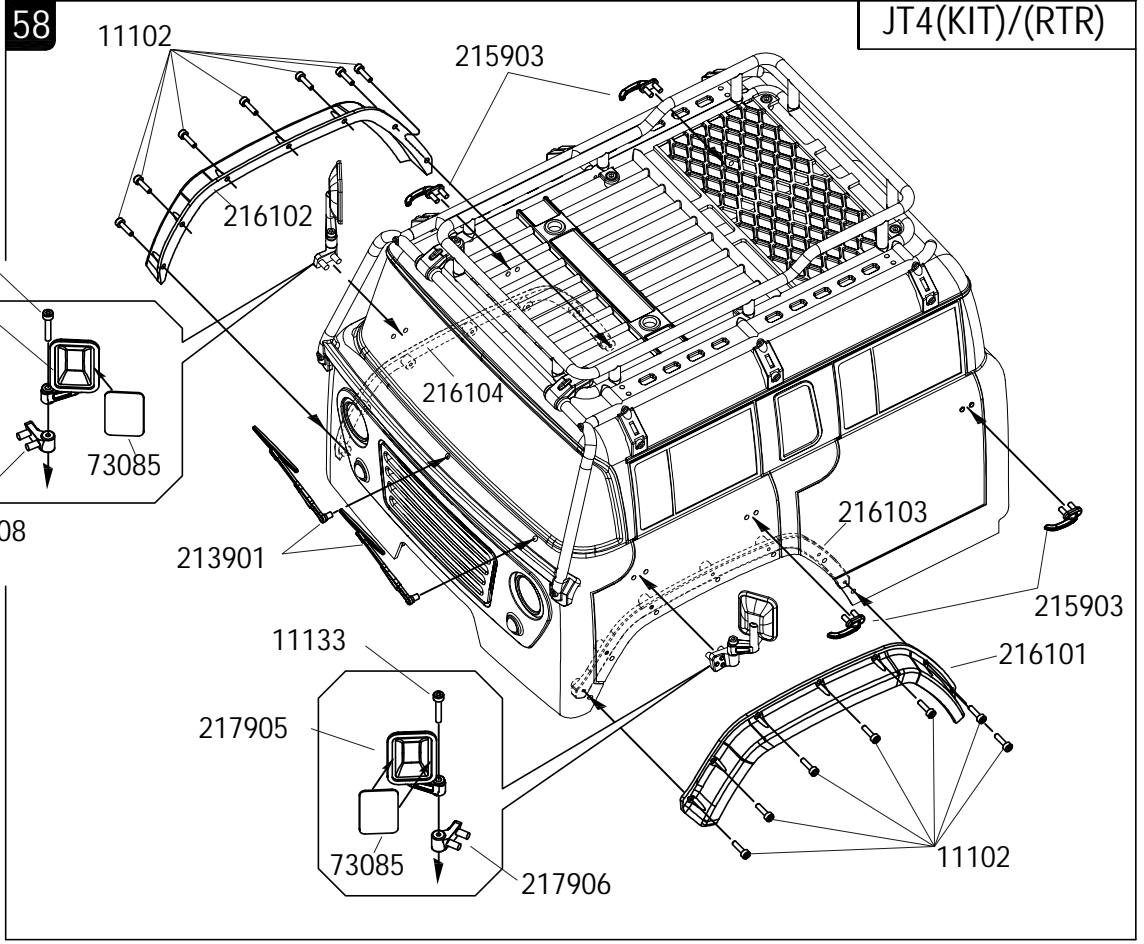
11133  M2x12 X8

11127  M2.5x7X4

11131  M2.5x14 X2

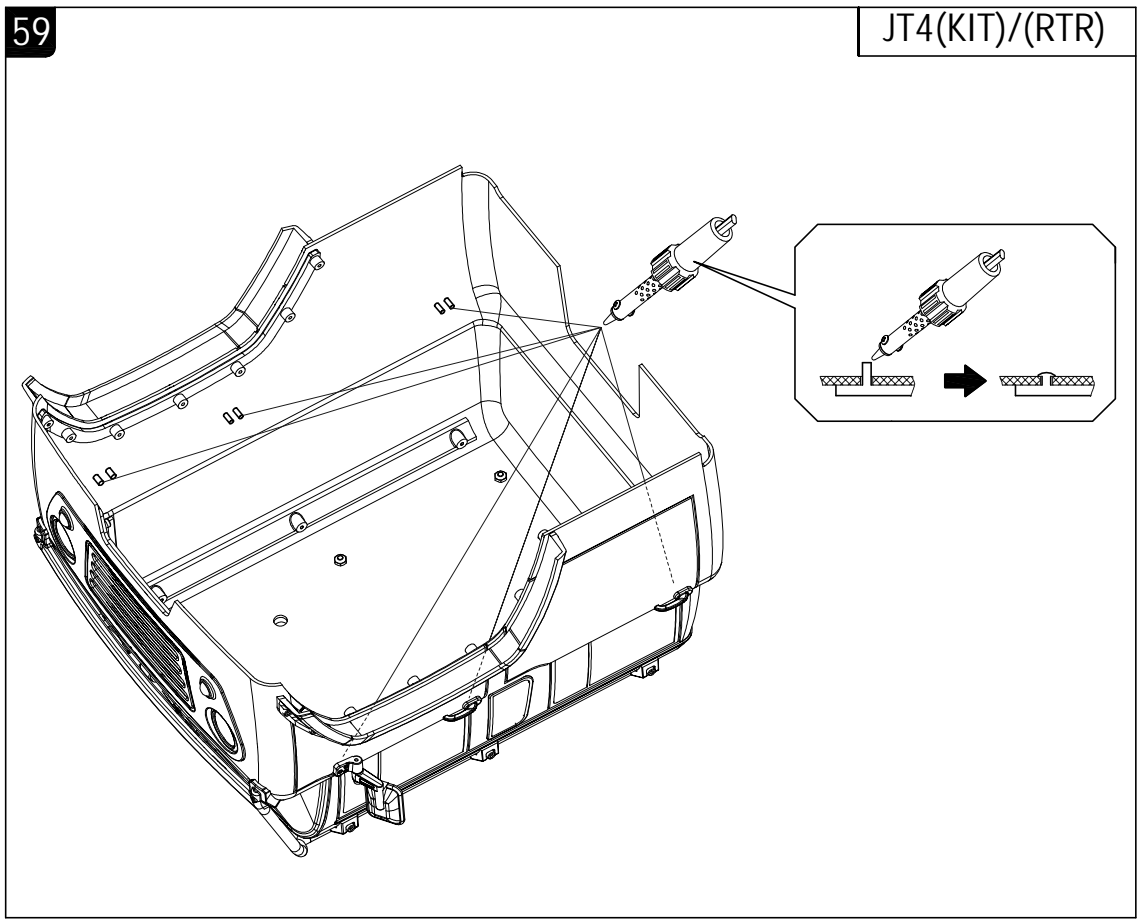
12105  M2.5 X6





BAG(ZA)

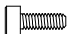
- 11102 M2x6 X14
- 11133 M2x12 X2

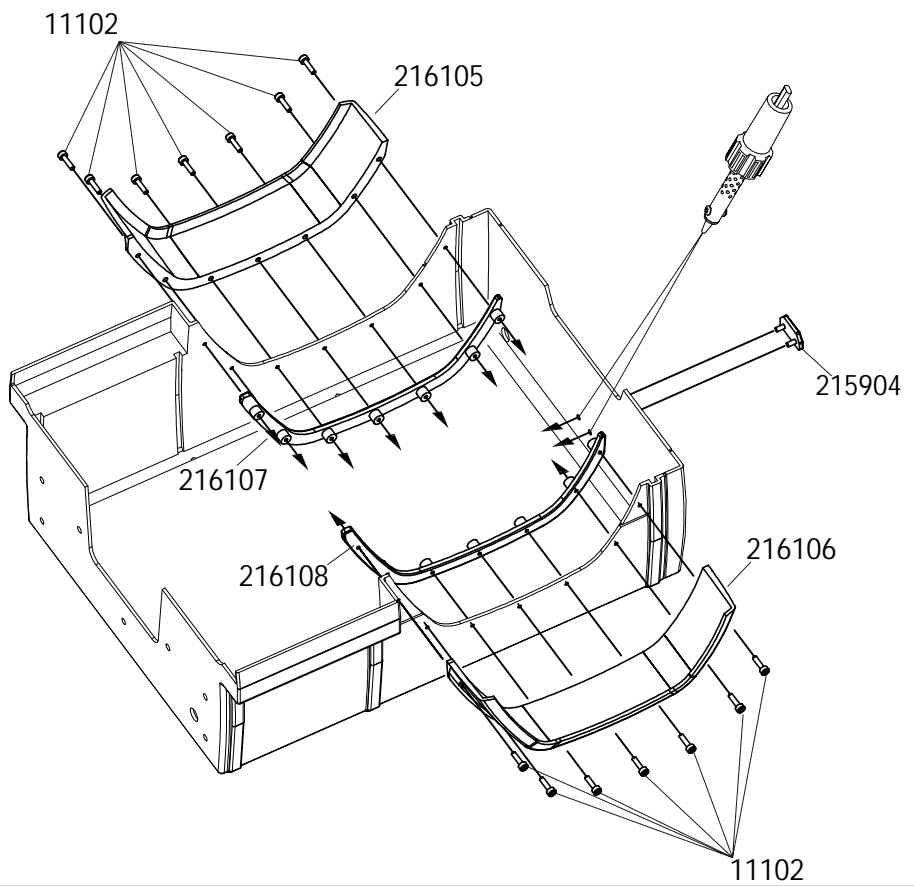


60

JT4(KIT)/(RTR)


BAG(ZA)

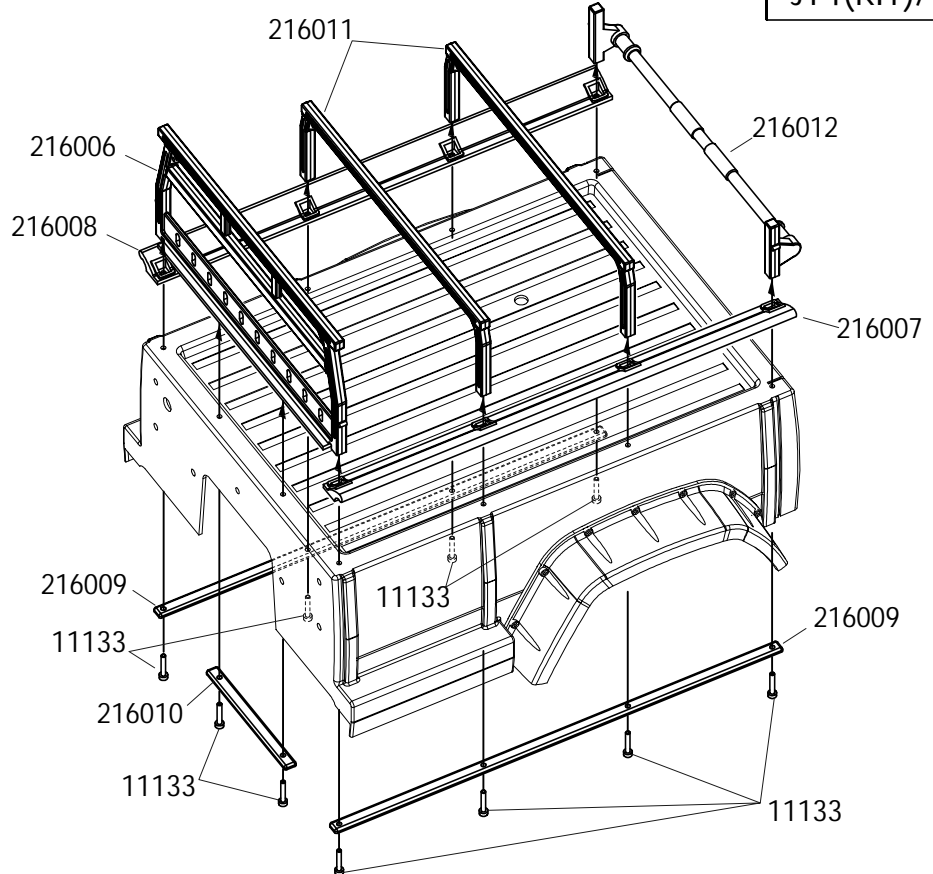
11102   
M2x6 X14



61

JT4(KIT)/(RTR)


11133   
M2x12 X10




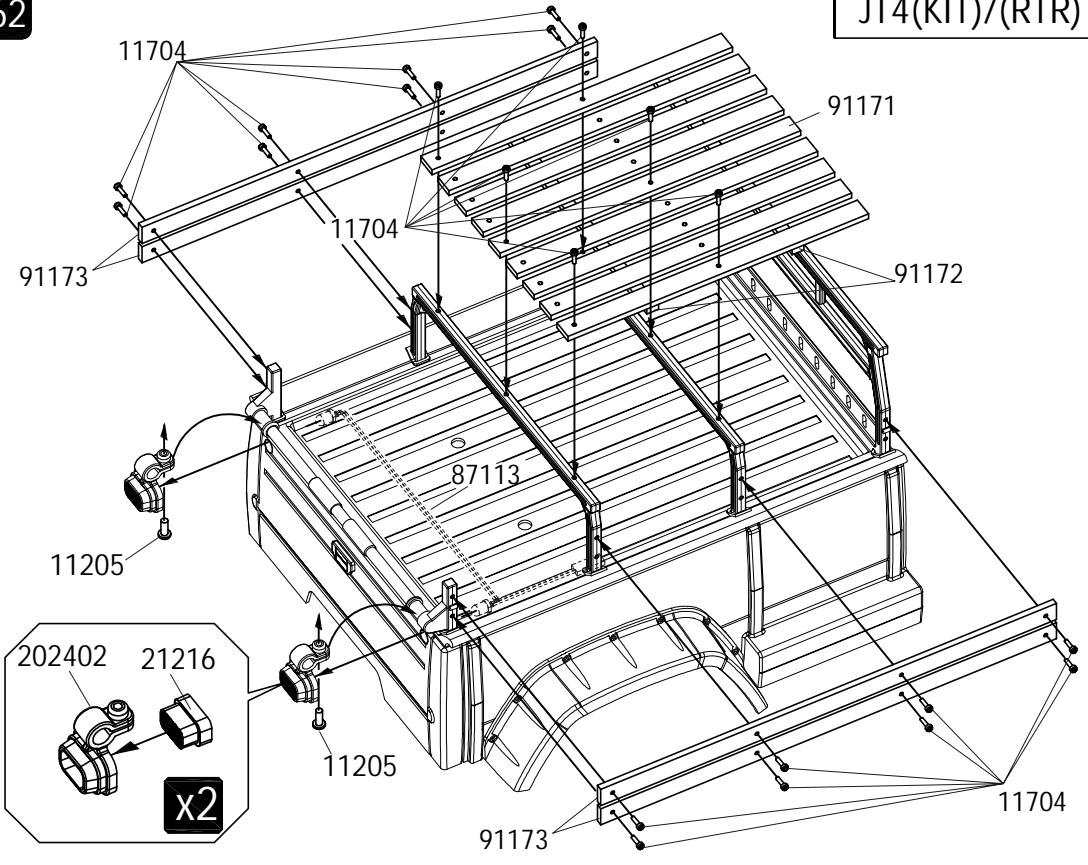
62

JT4(KIT)/(RTR)

BAG(ZA)


11704   
M1.6x6 X22

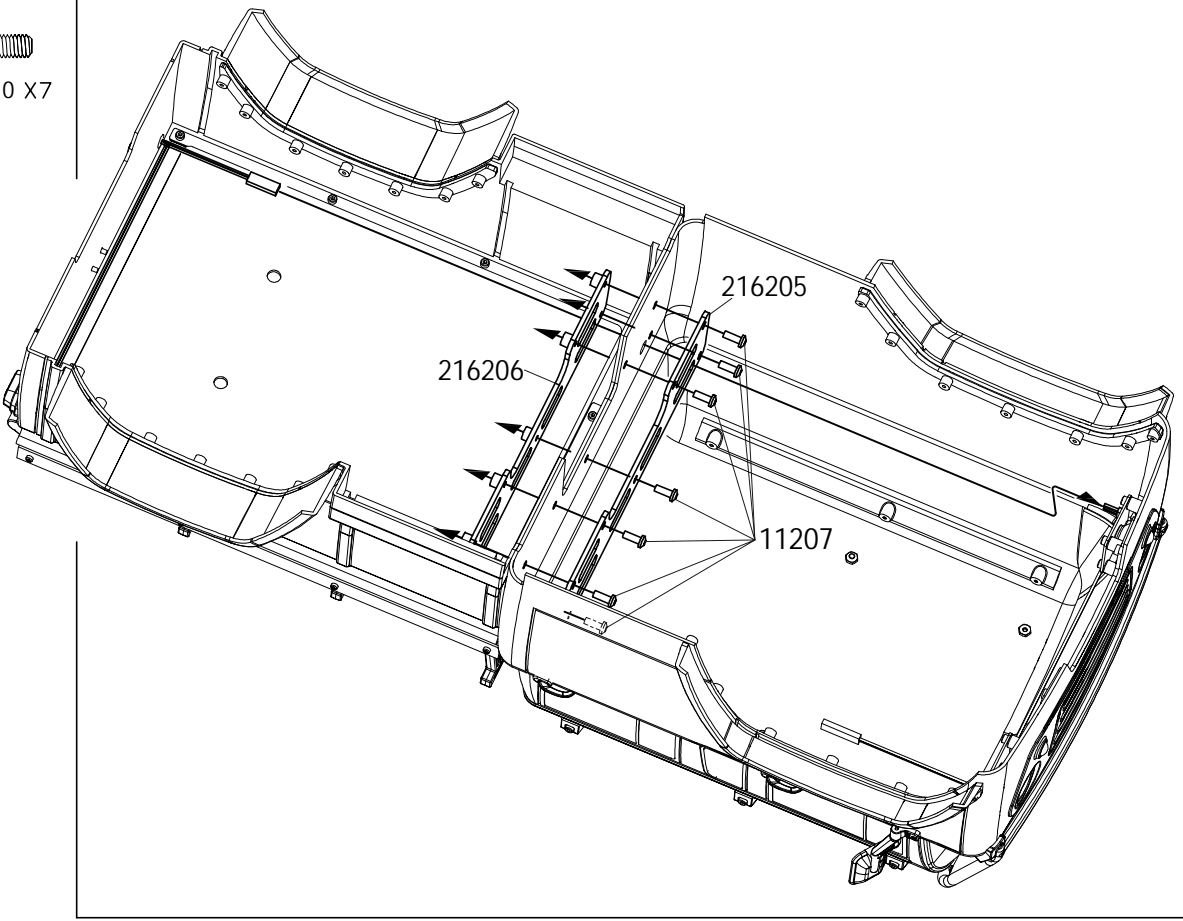
11205   
M3x6 X2

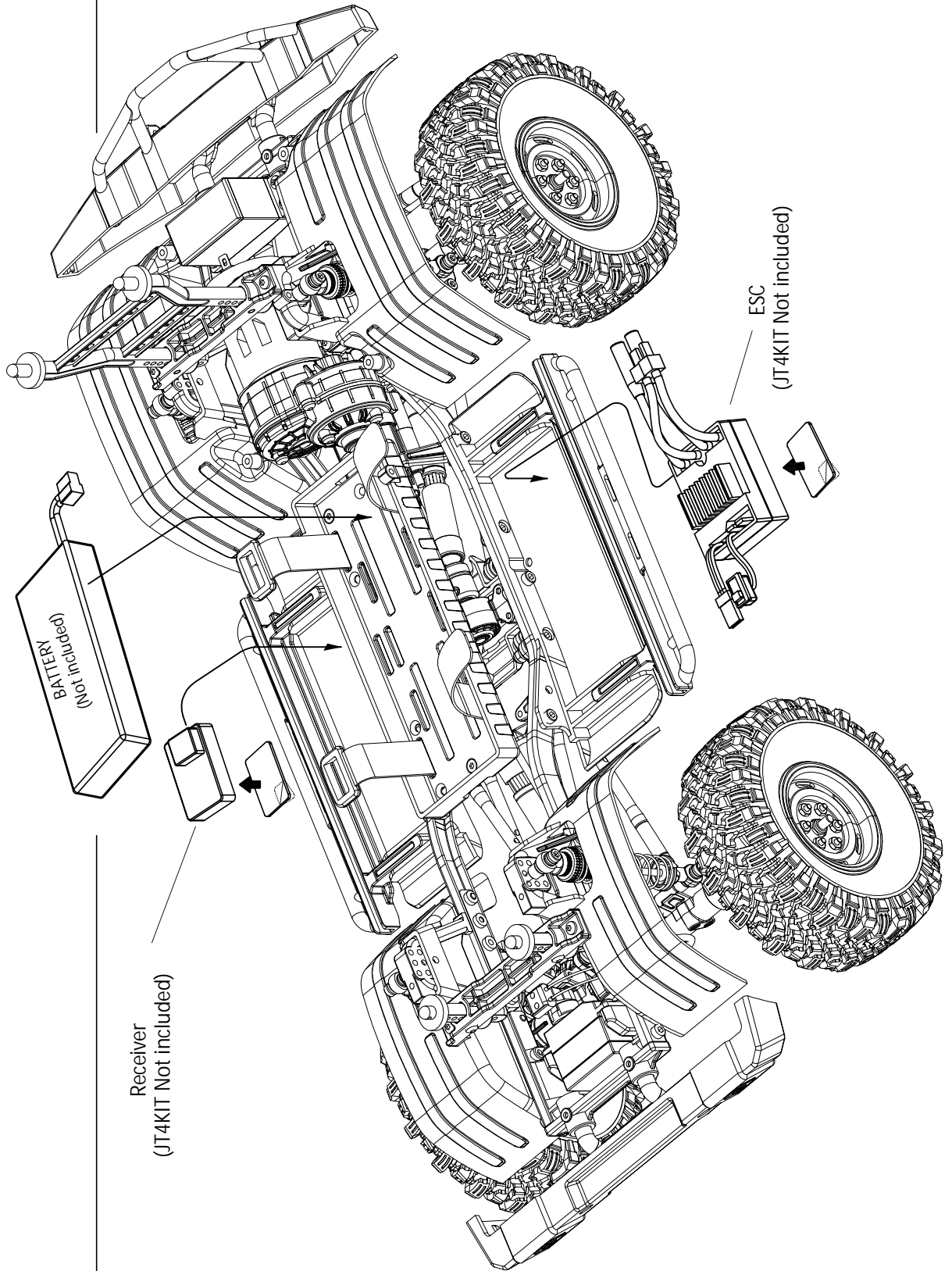


63

JT4(KIT)/(RTR)

11207   
M3x10 X7





65

JT4(KIT)/(RTR)



94061 x 4

