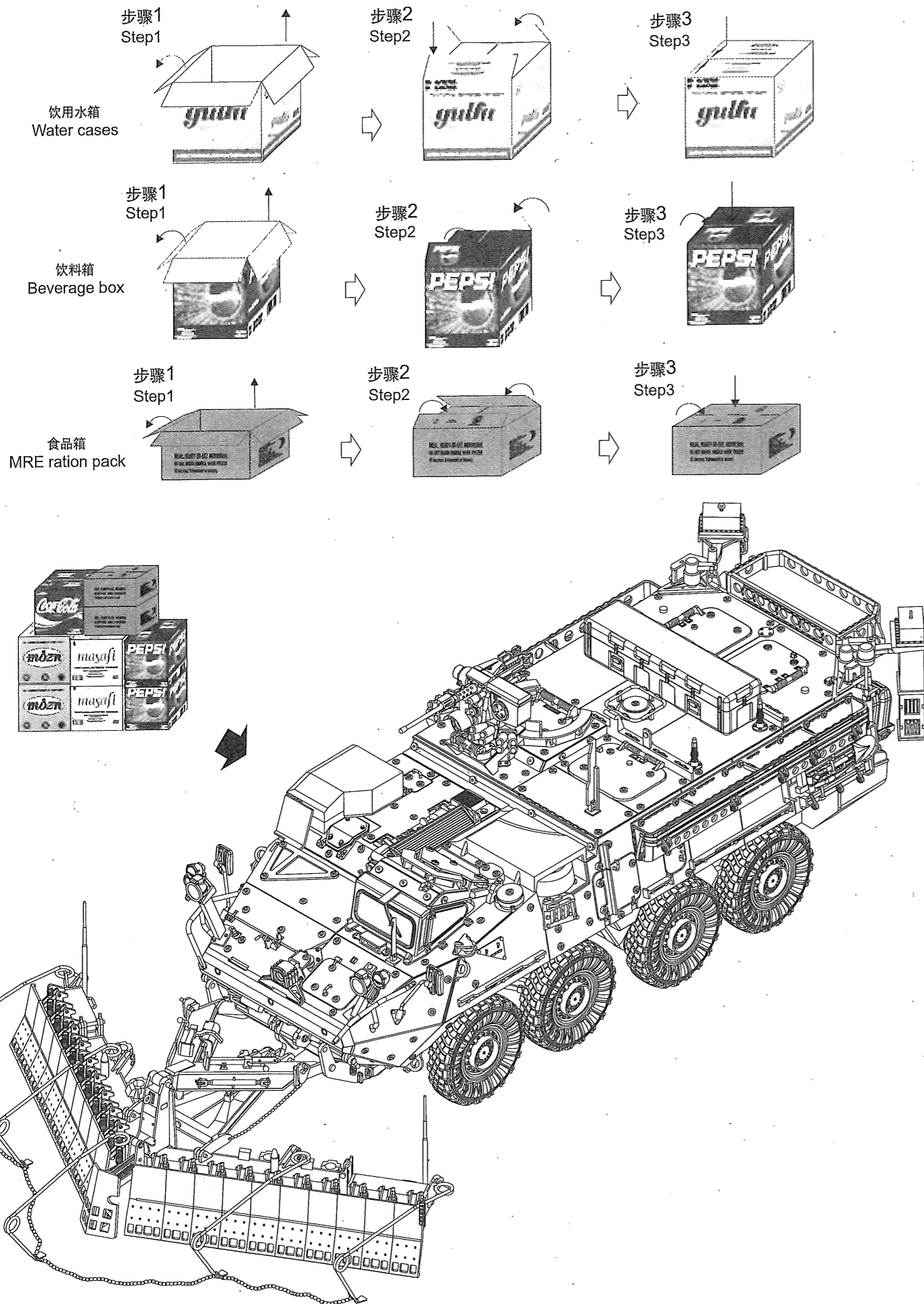


4 附件:
Stowage set

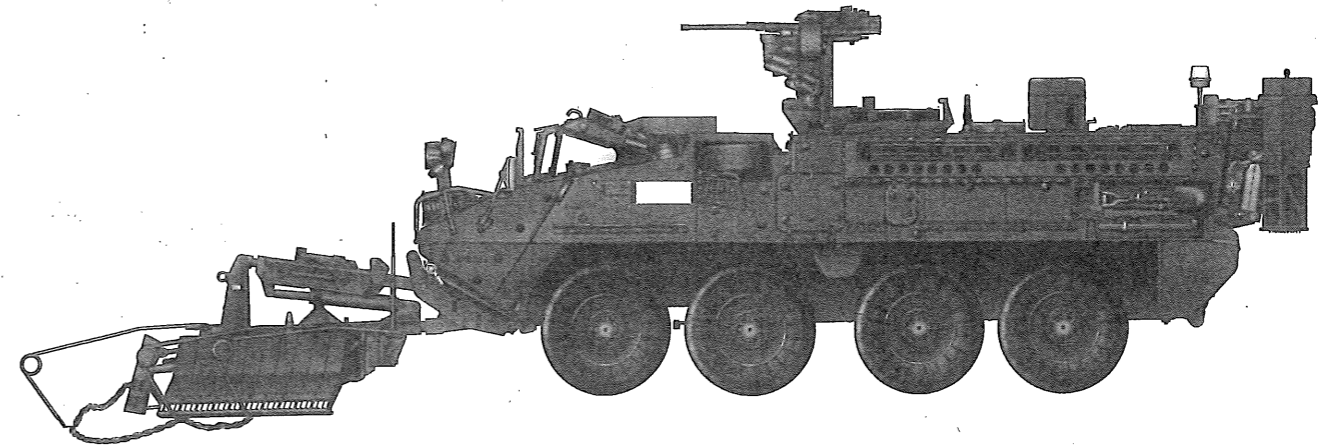


1:35 SCALE

ITEM NO.:01575

M1132 Stryker ESV (Engineer Squad Vehicle) w/SMP/AMP-Surface Mine Plow

M1132 “斯崔克”工程车(带SMP及AMP扫雷犁)



READ BEFORE ASSEMBLY:

- Study and understand these instructions thoroughly before beginning assembly
- When needed, remove photo-etch parts carefully using a modeling knife or photo etch sprue cutter, being careful not to damage or lose small parts.
- Take extra care in handling photo etch parts in order to avoid injury
- Apply instant cement sparingly to photo etch parts where instructed
- Tools recommended(not included in kit):Plastic and instant cements, sprue cutters,long nose pliers,modeling knife, small files, tweezers, pin vise & scissors. Soft cloth and sandpaper will also assist in construction
- Glue and paint are not included in the kit. Use plastic cement and hobby paints only. Color guide for purchasing paint is included in the kit.

装配之前仔细阅读

- 小心用模型锉刀锉平所有零件表面的注射浇口。
- 小心用刀片切下蚀刻片零件，不要遗失小零件。
- 用强力快干胶水粘合蚀刻片零件和金属轴。过量快干胶水使用可能导致可动零件会粘住，小心涂胶。
- 取蚀刻片时应特别注意安全，防止利边划伤手指。
- 某些零件表面需贴上水贴纸，请选择在装配的同时进行。
- 推荐模型工具(自备)：胶水，水口剪刀，长咀钳，刀片，锉刀，镊子，钳，钻，剪刀，瞬间快干胶。
- 软布同砂纸同时也应该是必备工具。
- 请使用塑料胶水和油漆，模型内不含。



配重
Weight



使用强力胶
Cyanoacrylate glue



钻孔
Make hole



切除
Cut / Remove



贴纸
Decal



锉平
File / Sand



选择
Option



不涂胶水
No cement



弯曲
Bend

水贴纸的使用:

- 1.从水贴上剪下印花;
- 2.将印花放入温水中浸10秒，然后放在干净布上。
- 3.拿着印花纸板将印花移到模型上;
- 4.手指蘸水将印花移到适当的位置;
- 5.用软布轻压印花直至水干，气泡消失

DECAL APPLICATION

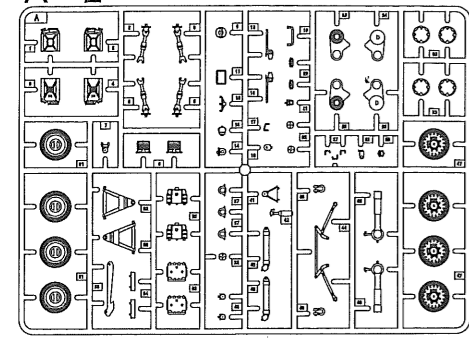
- 1.Cut decals from sheet as needed
- 2.Dip the decal in warm water for about 10 seconds and then place on soft clean cloth.
- 3.Hold the decal backing sheet edge and gently slide the decal onto the model in its proper position.

- 4.While still wet,decal can be adjusted for better fit on model by dampening it gently with your finger.
- 5.When placed in the proper position,gently press decal down with a soft cloth until excess water and air bubbles are gone.
- 6.Allow decal to dry completely before handling model

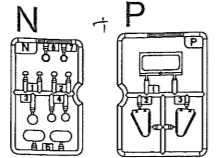
4.00 x 1.79

品图 Parts

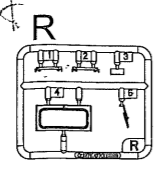
A x 2




N + P



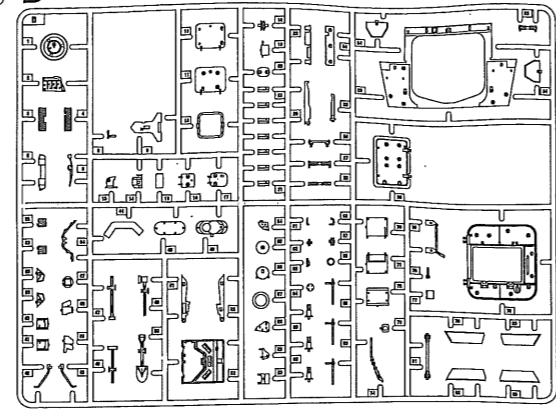
R



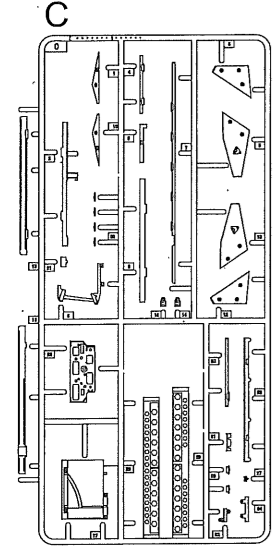
《轮胎》 Tyre x 8



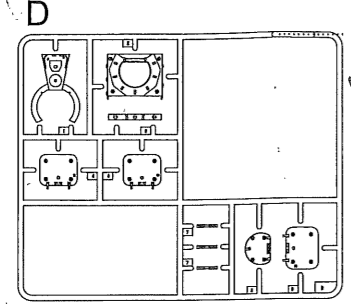
B




C



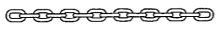
D



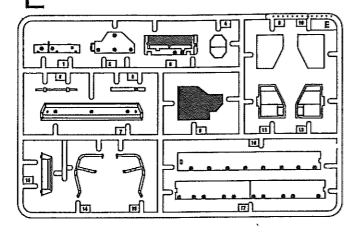
《链条》 $\phi 0.35 \times 100$ MM
Chain




《链条》 $\phi 0.5 \times 200$ MM
Chain



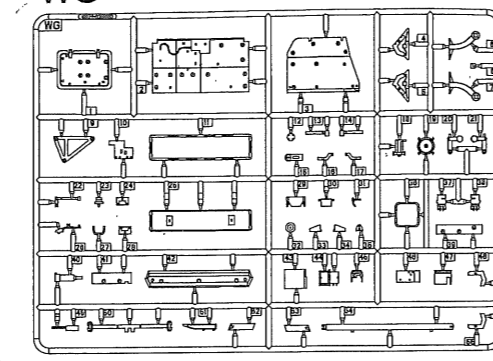
E



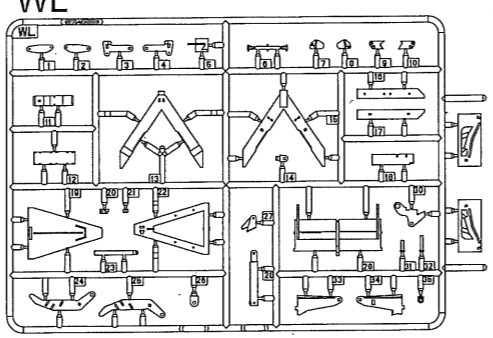
《钢丝》 $\phi 0.35 \times 150$ MM
Brass wire




WG



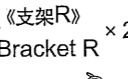
WL



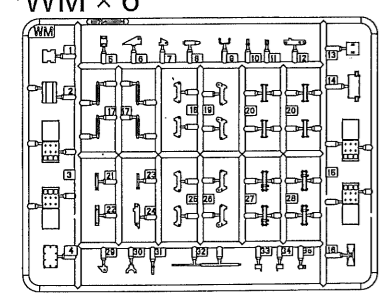
《支架L》 x 3
Bracket L



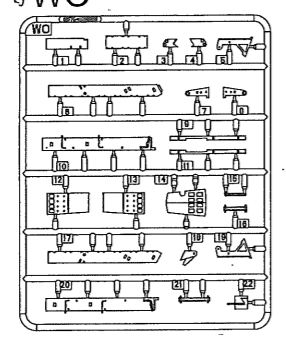
《支架R》 x 2
Bracket R



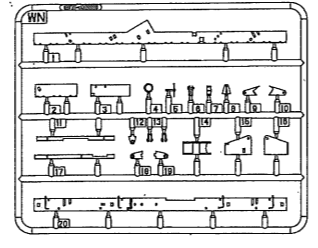
WM x 6



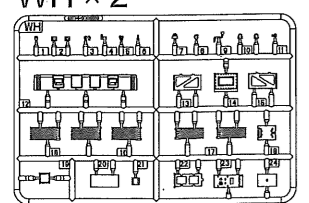
WJWO



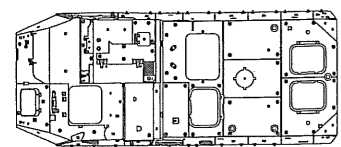
WN



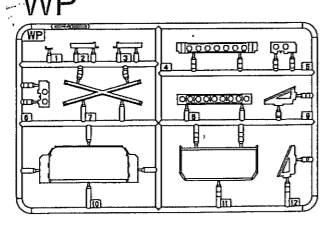
WH x 2



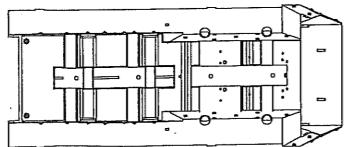
《车面》
Upper hull



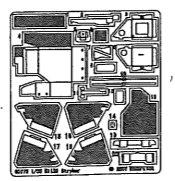
WP




《车底》
Lower hull




《蚀刻片-A》 PE-A




《蚀刻片-B》 PE-B




《水贴纸》
Decal




《遮盖纸》
Mask



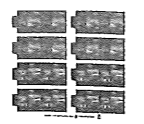
《捆扎带》
Strapping



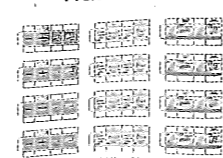
《食品箱》
MRE ration parts



《饮料箱》
Beverage boxes

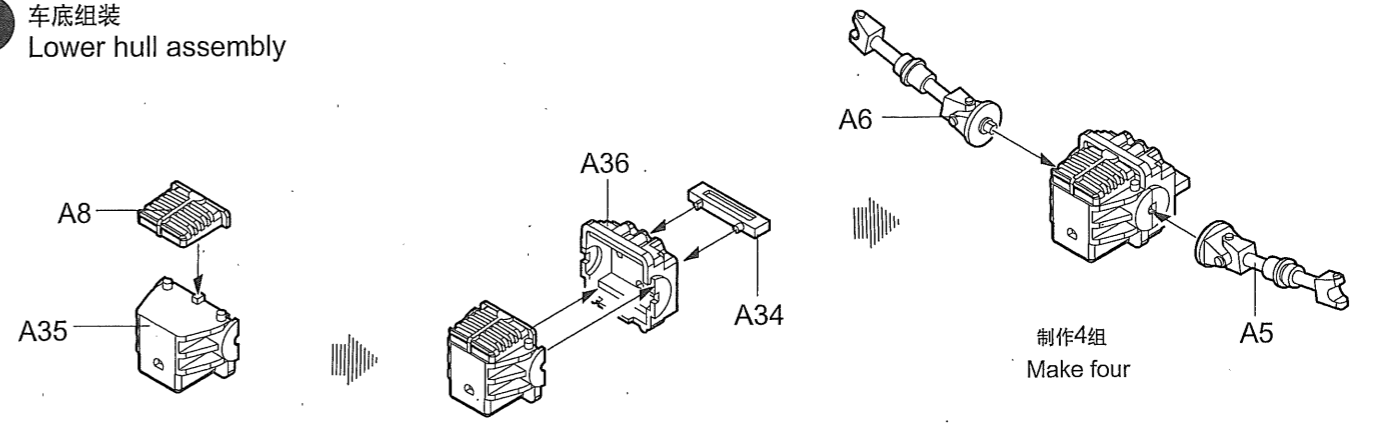


《饮用水箱》
Water cases

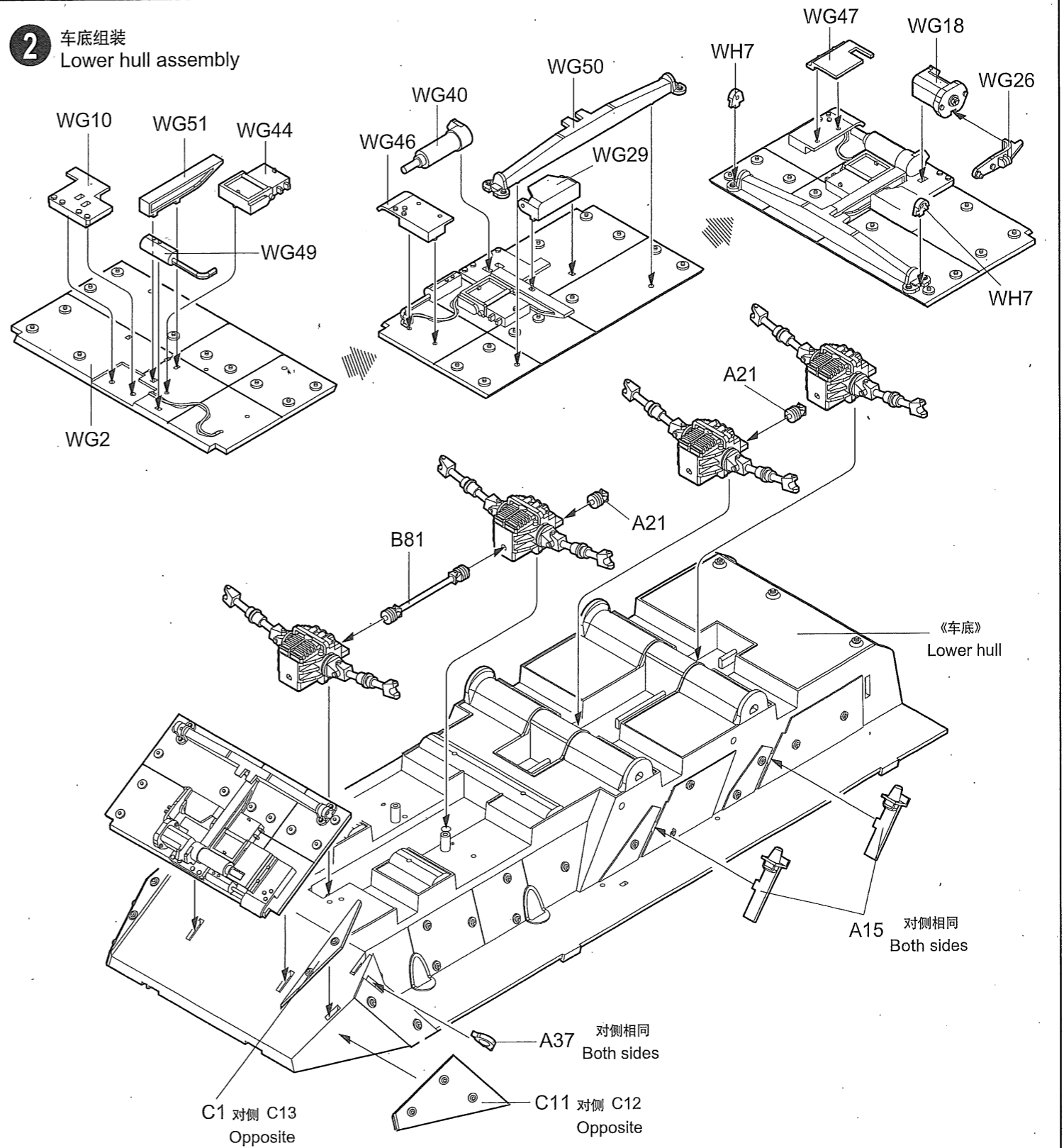


不用部品 : B12,B30,B57,C5,C37,E6,E7,N3,N5,N7
Unused parts

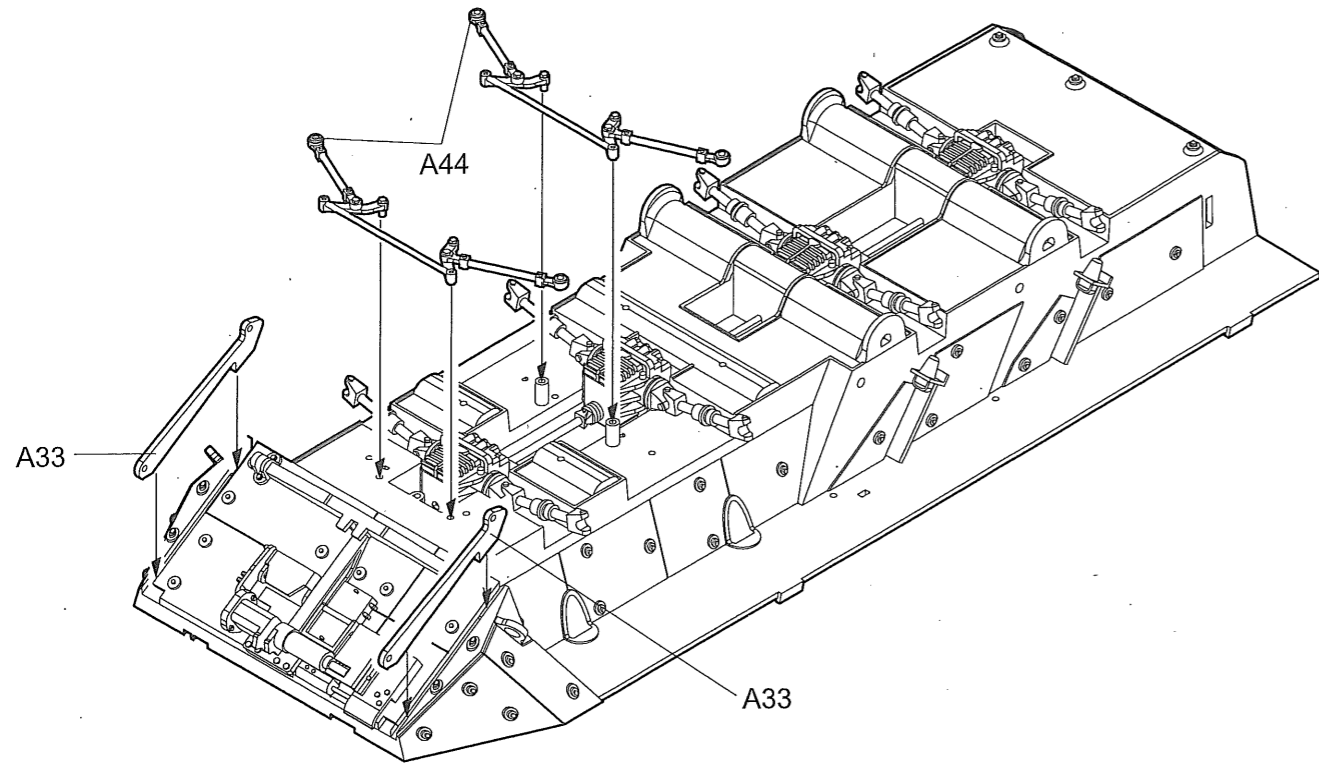
1 车底组装
Lower hull assembly



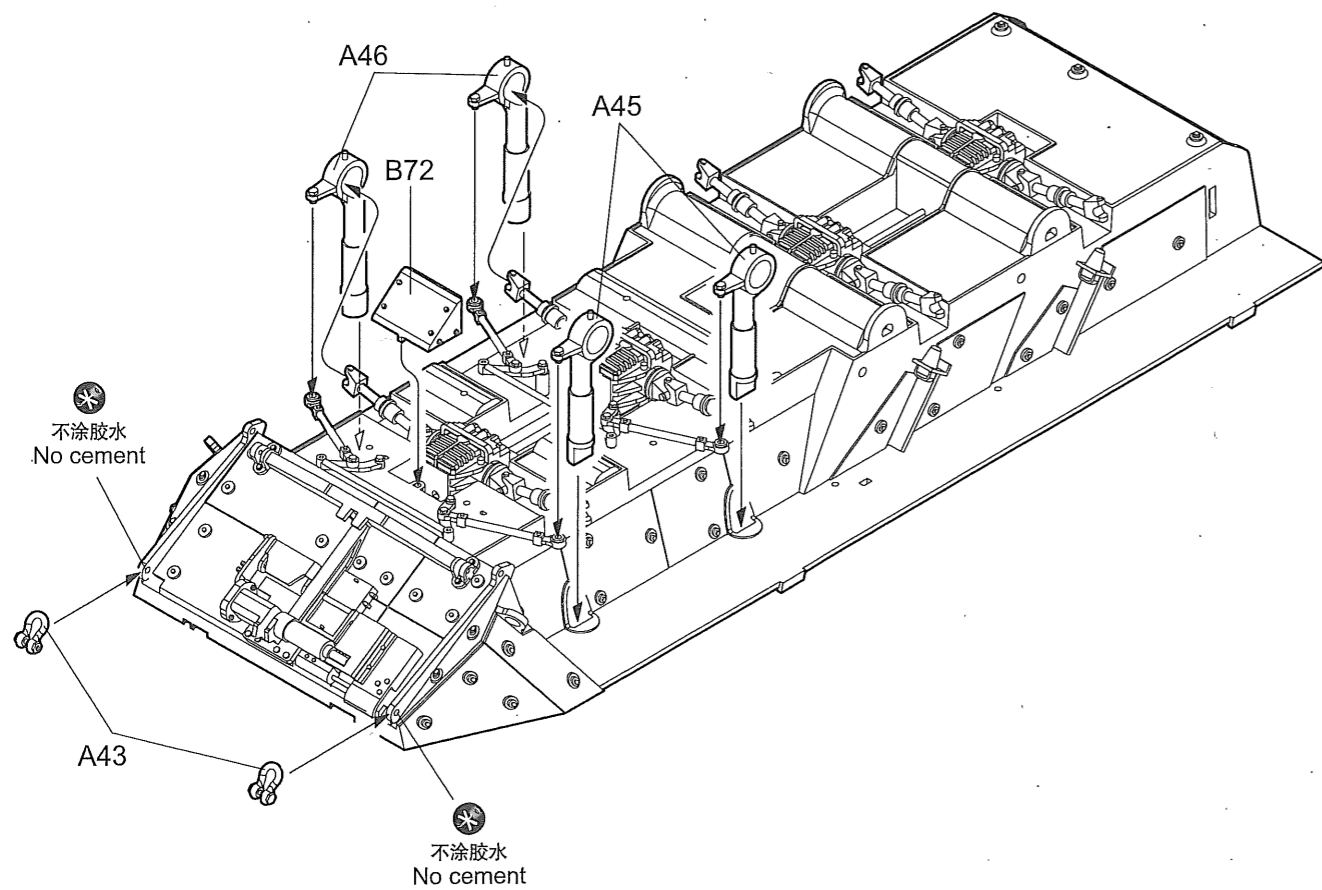
2 车底组装
Lower hull assembly



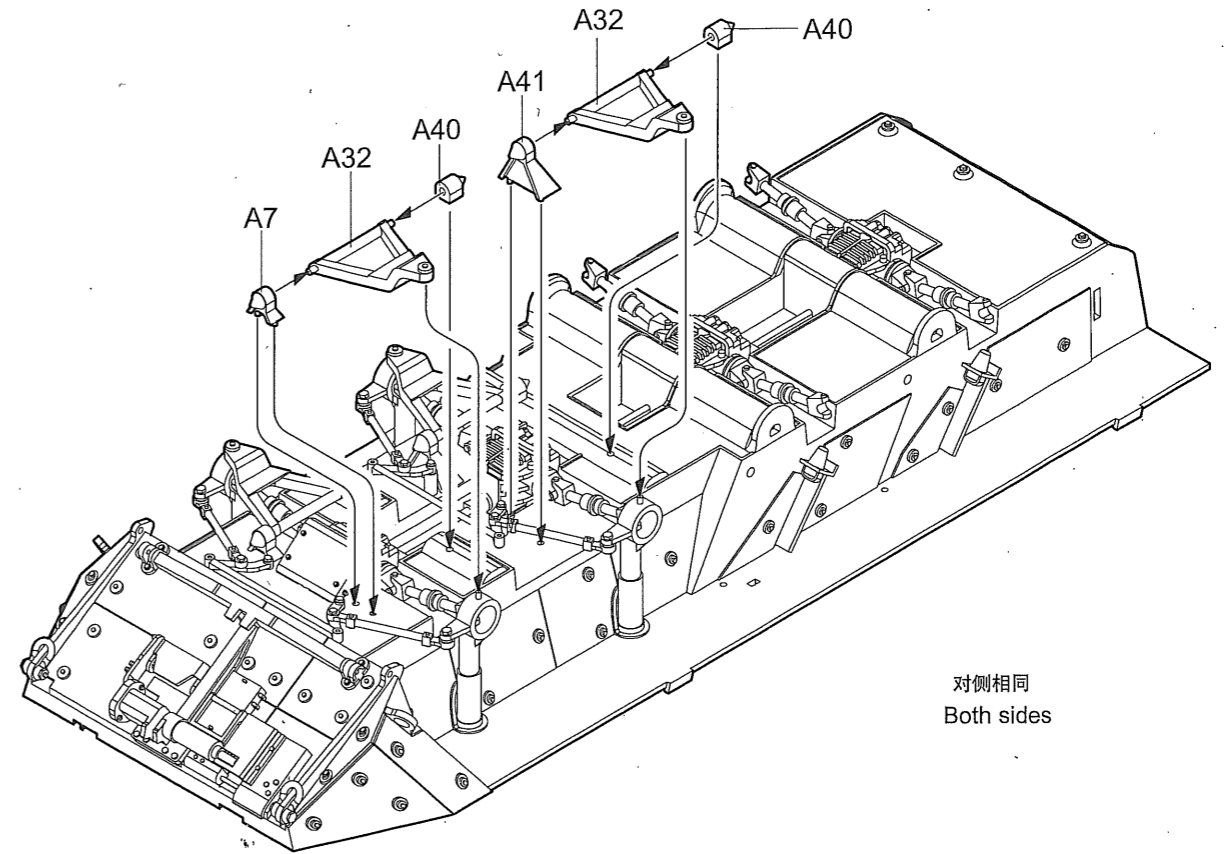
车底组装
Lower hull assembly



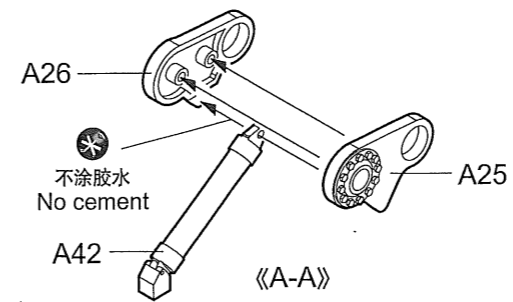
车底组装
Lower hull assembly



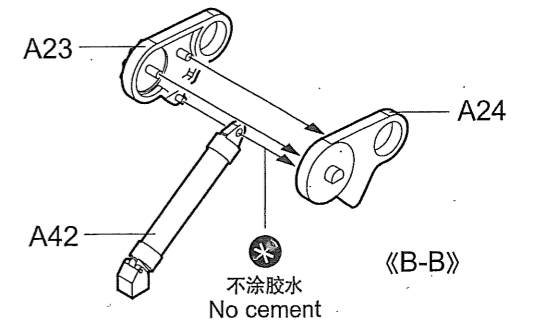
5 车底组装
Lower hull assembly



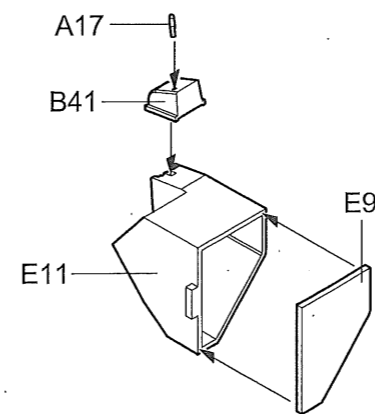
对侧相同
Both sides



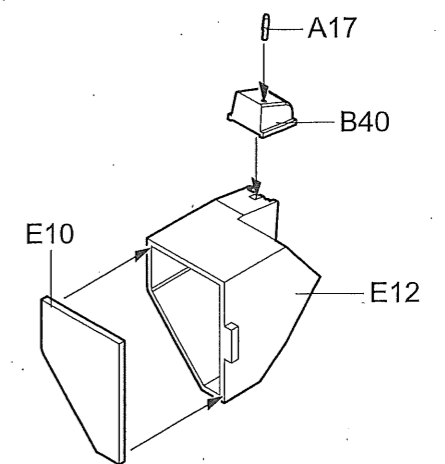
制作2组
Make two



制作2组
Make two

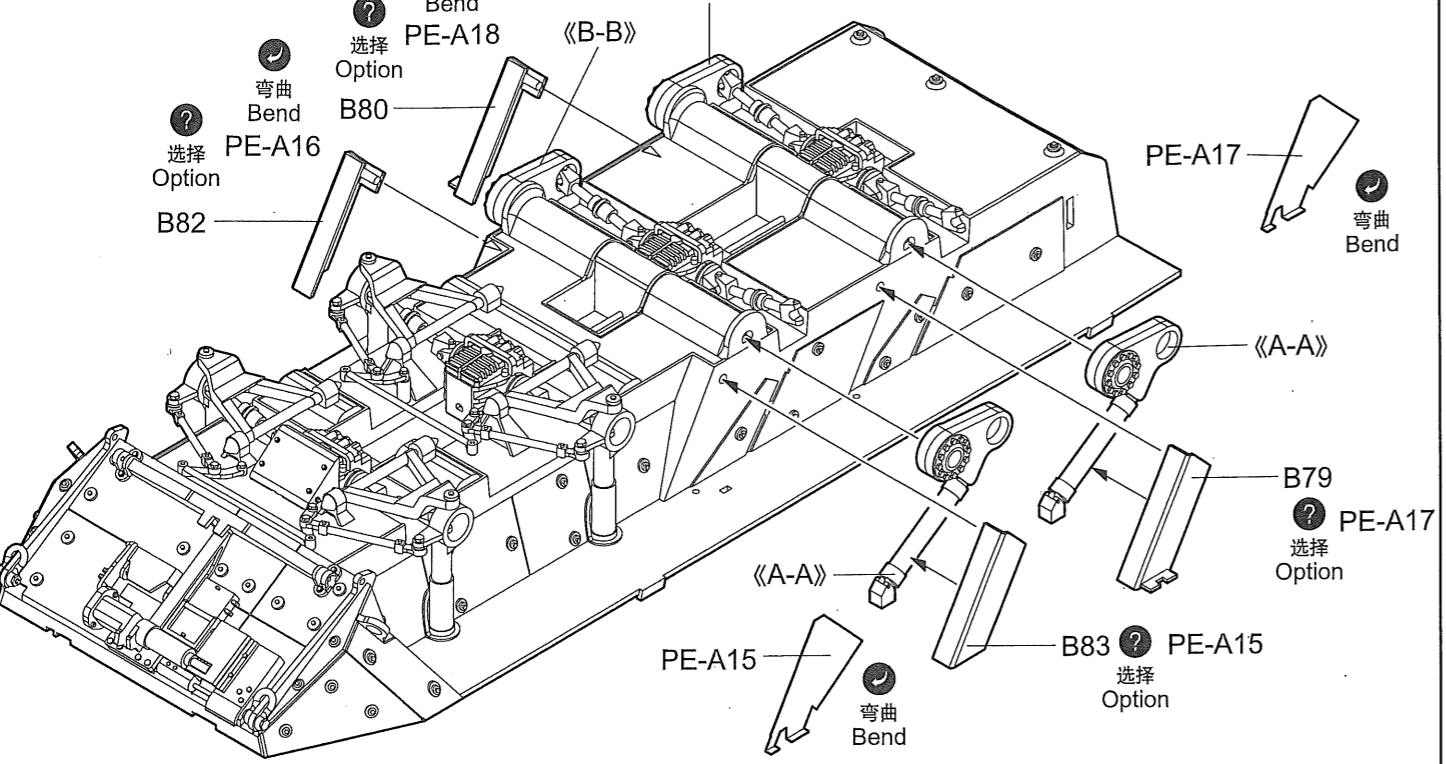


《C-C》

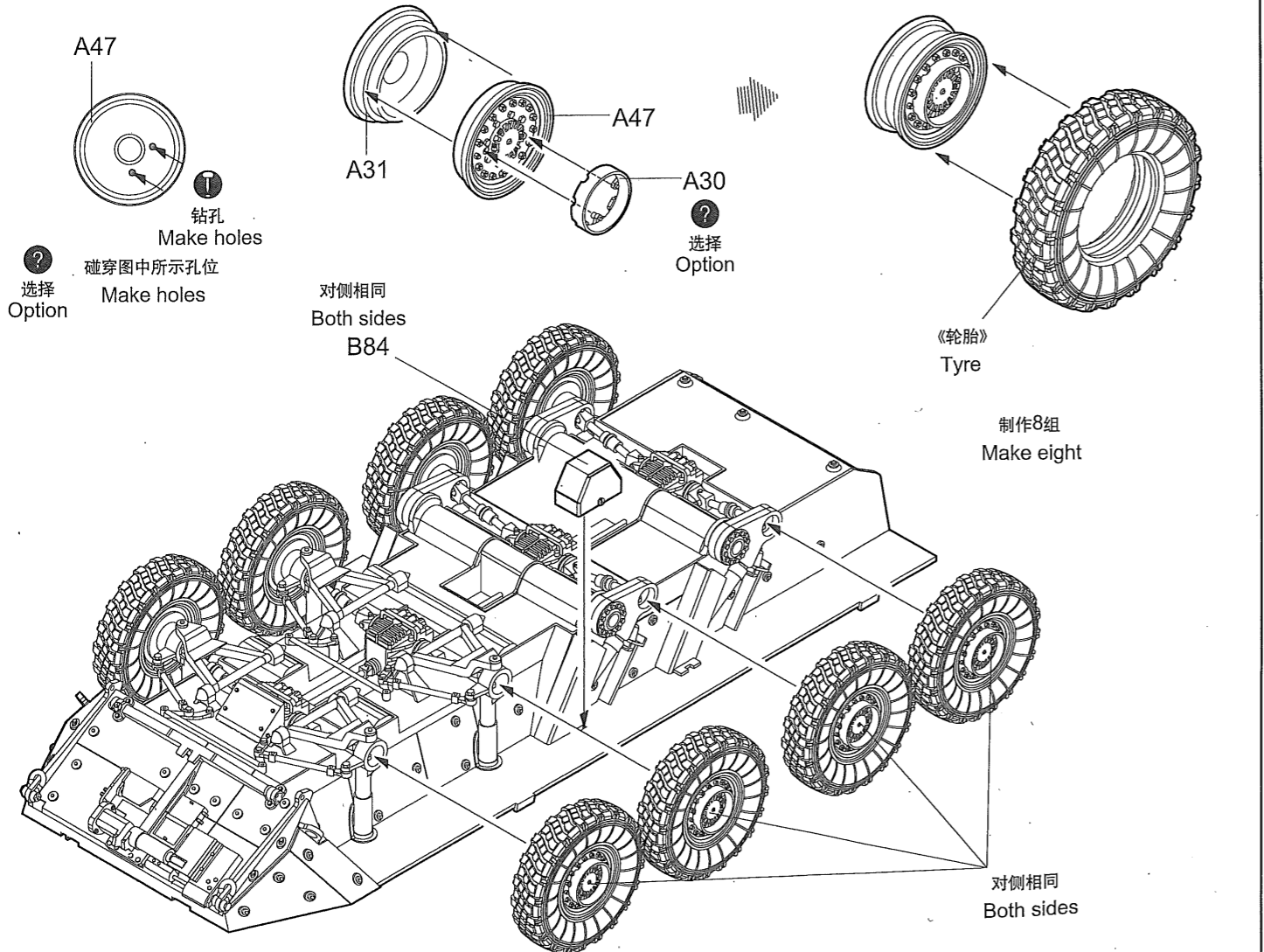


《D-D》

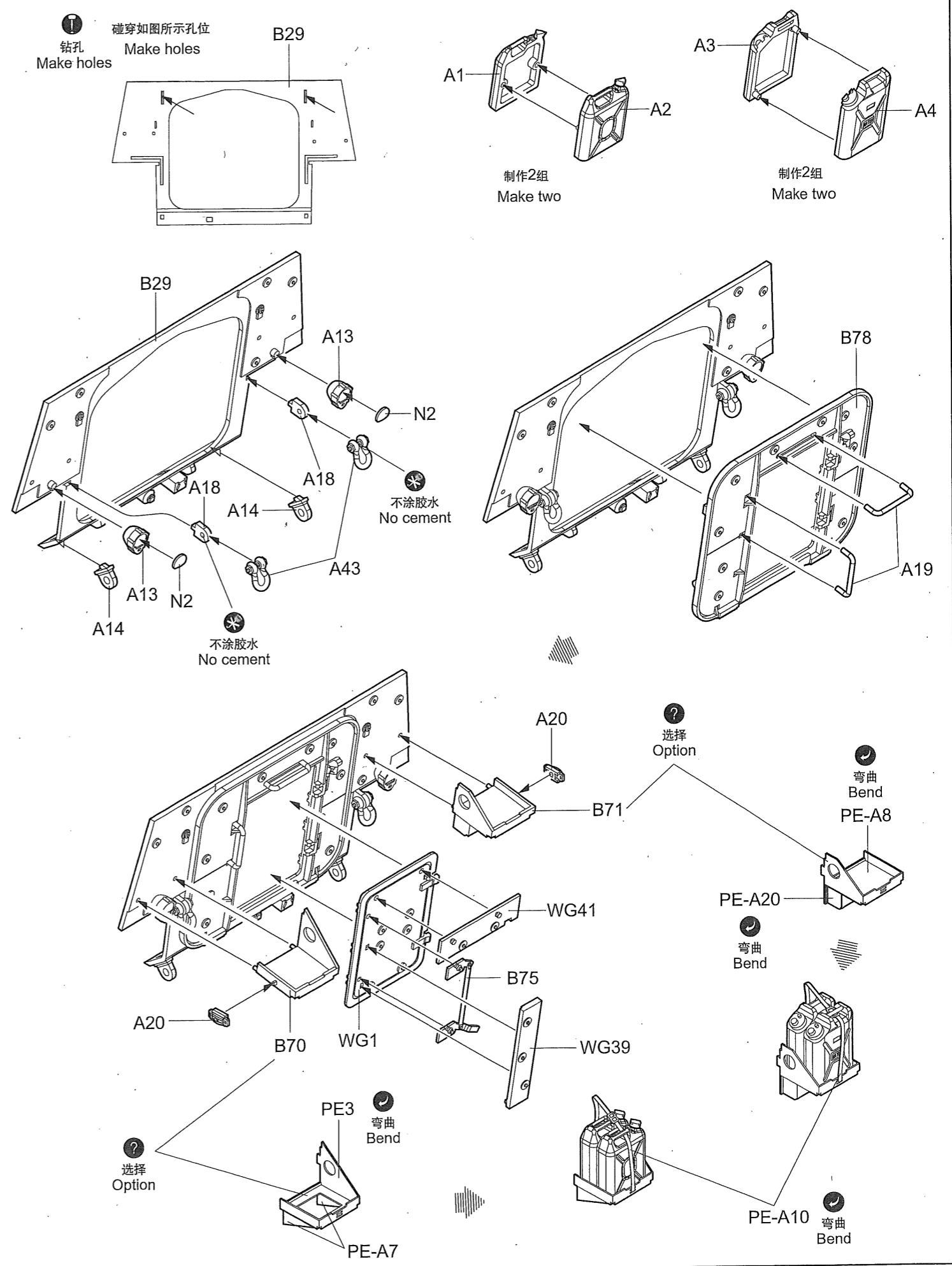
车底组装
Lower hull assembly



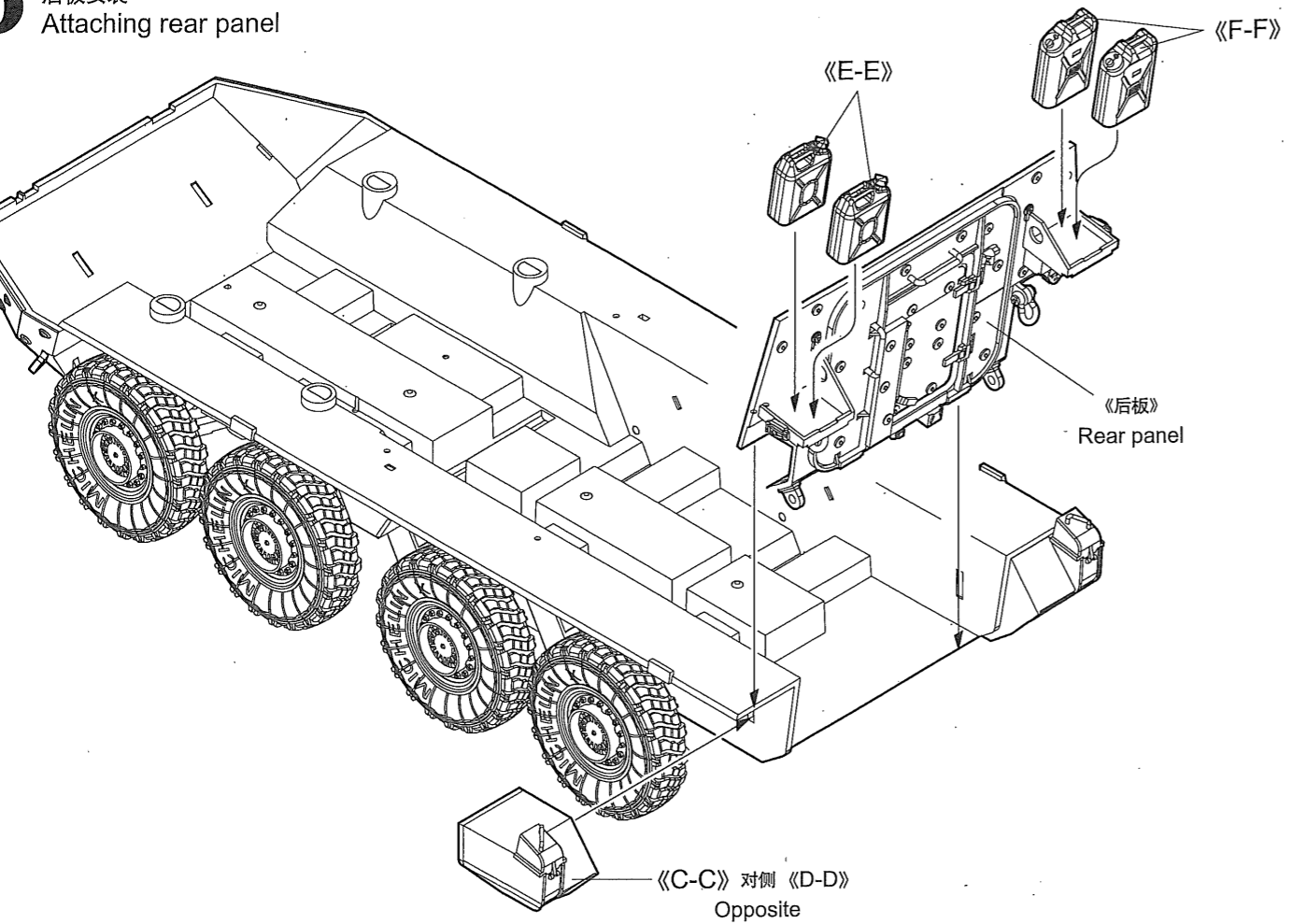
车轮安装
Wheel installation



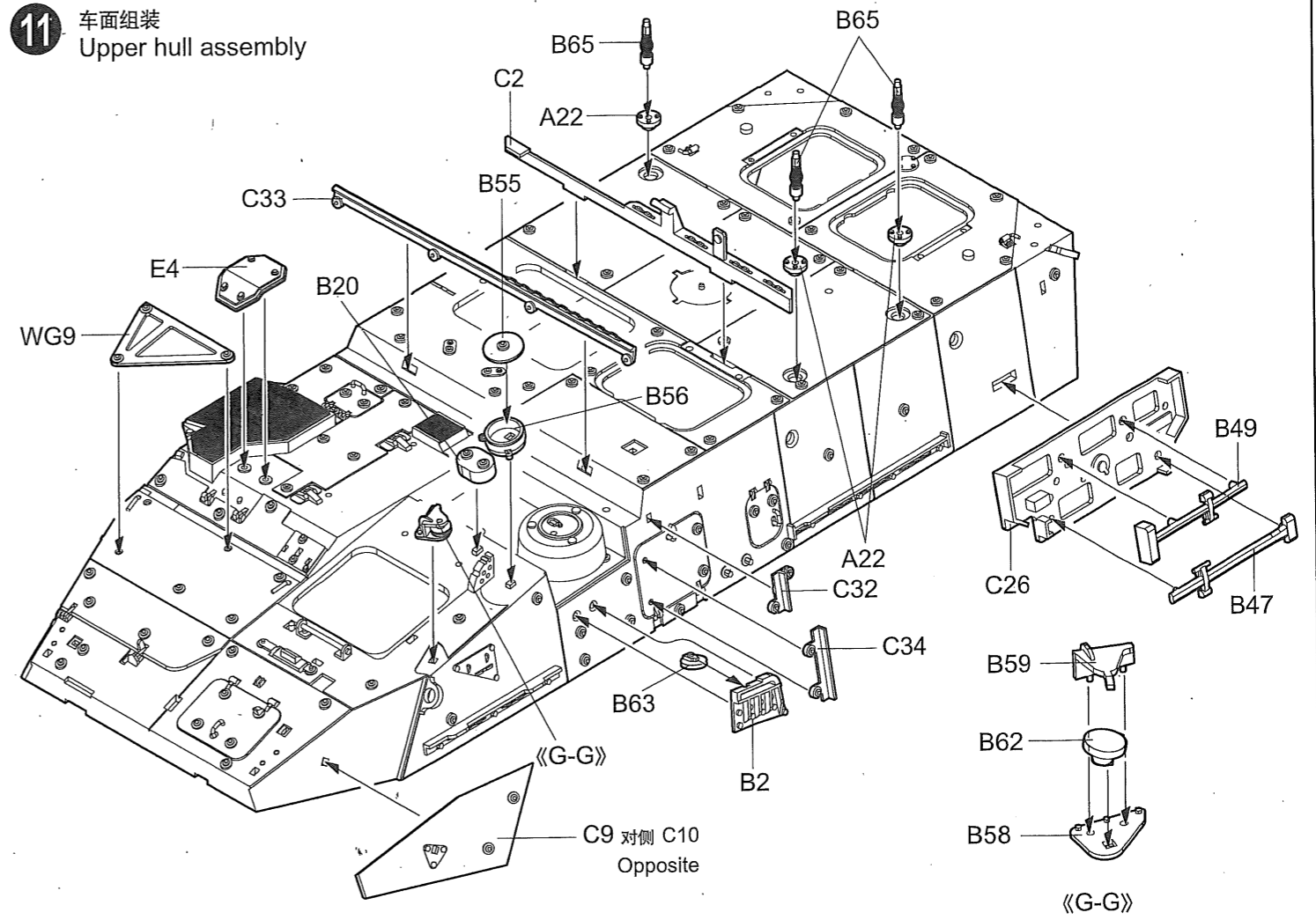
8 后板组装
Rear panel assembly



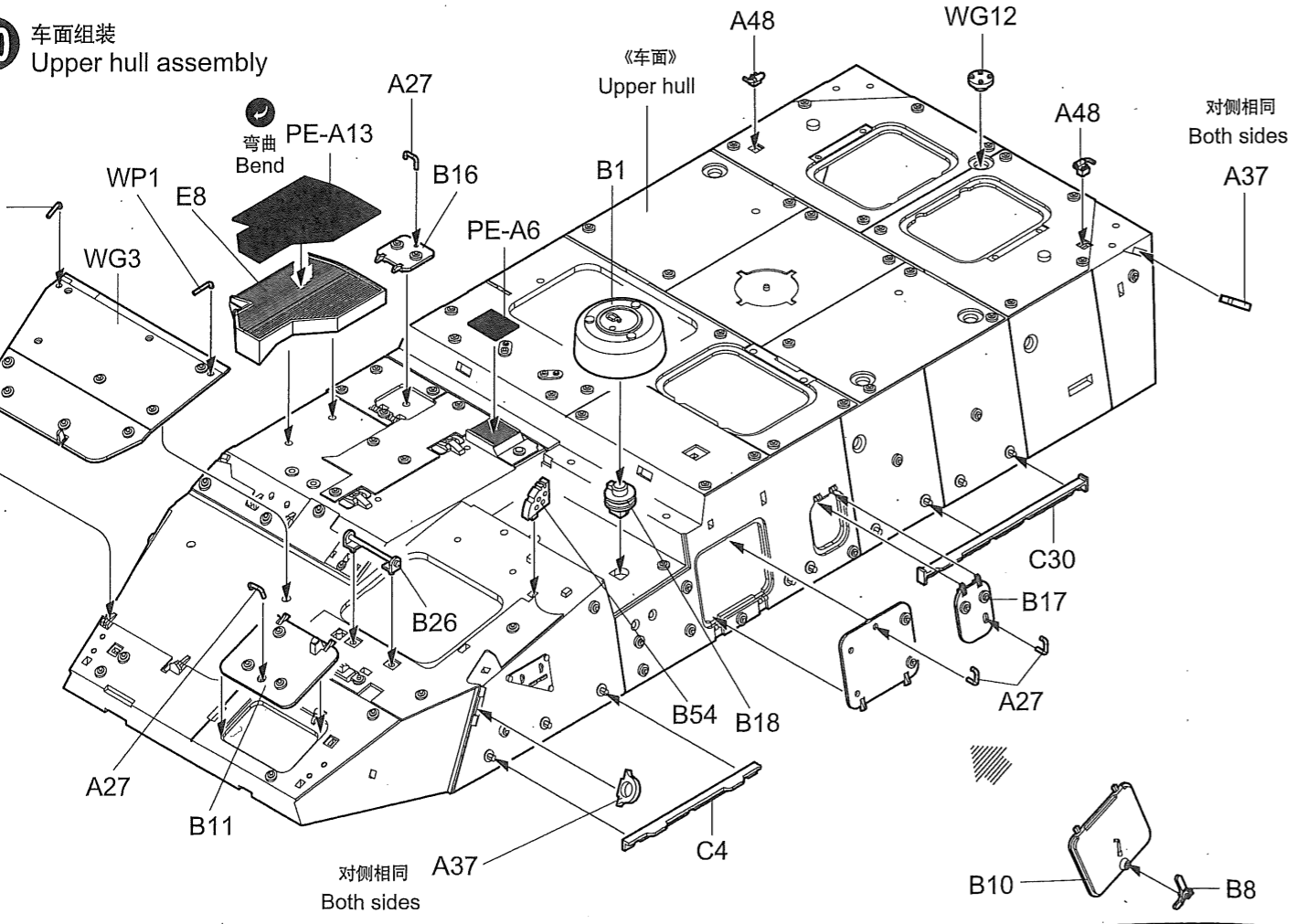
后板安装
Attaching rear panel



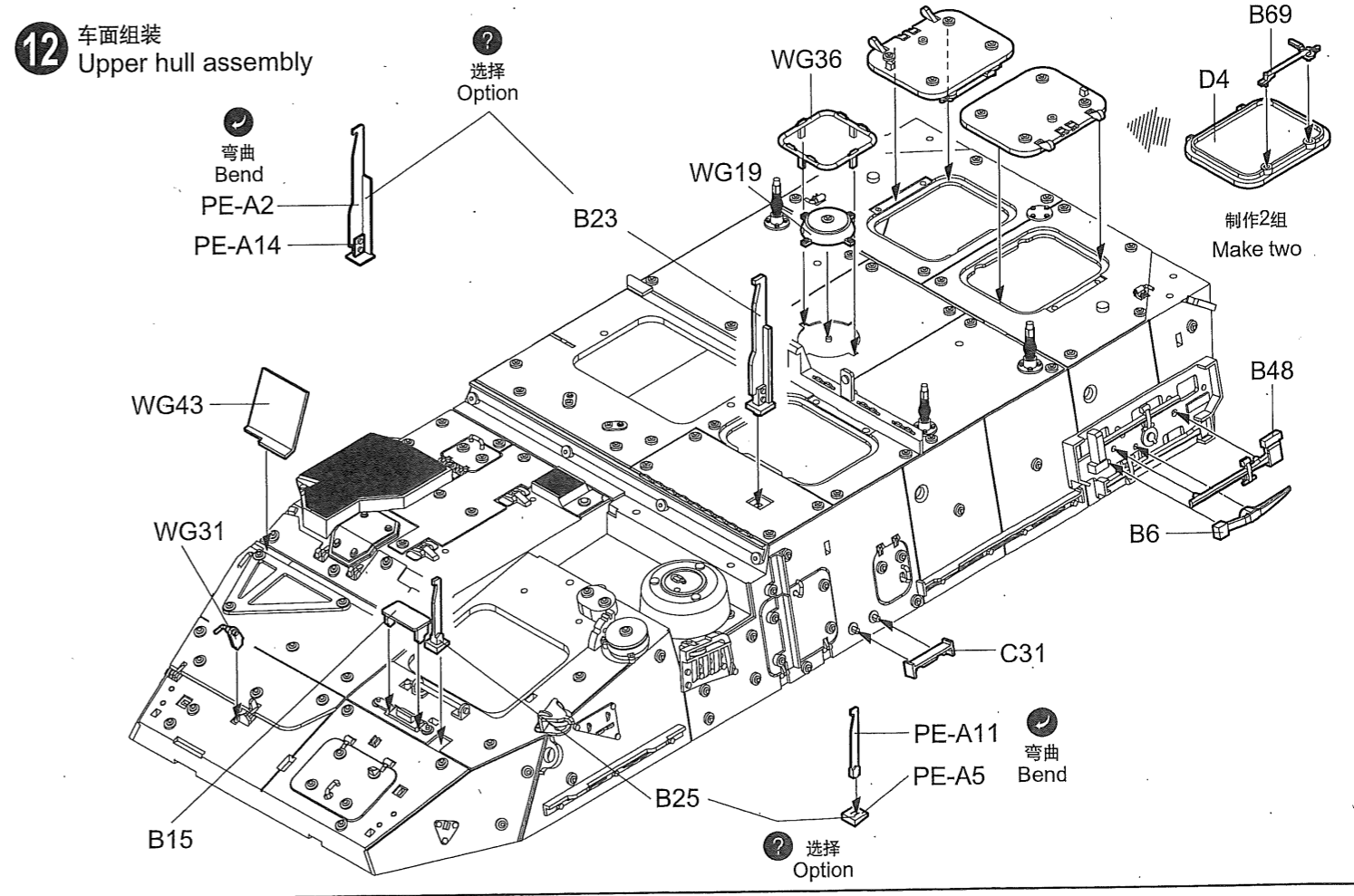
11 车面组装
Upper hull assembly



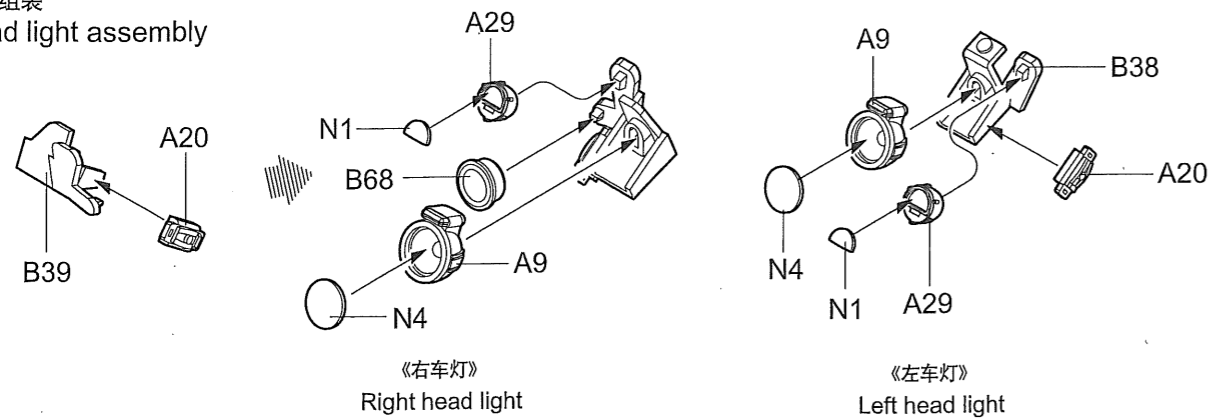
0 车面组装
Upper hull assembly



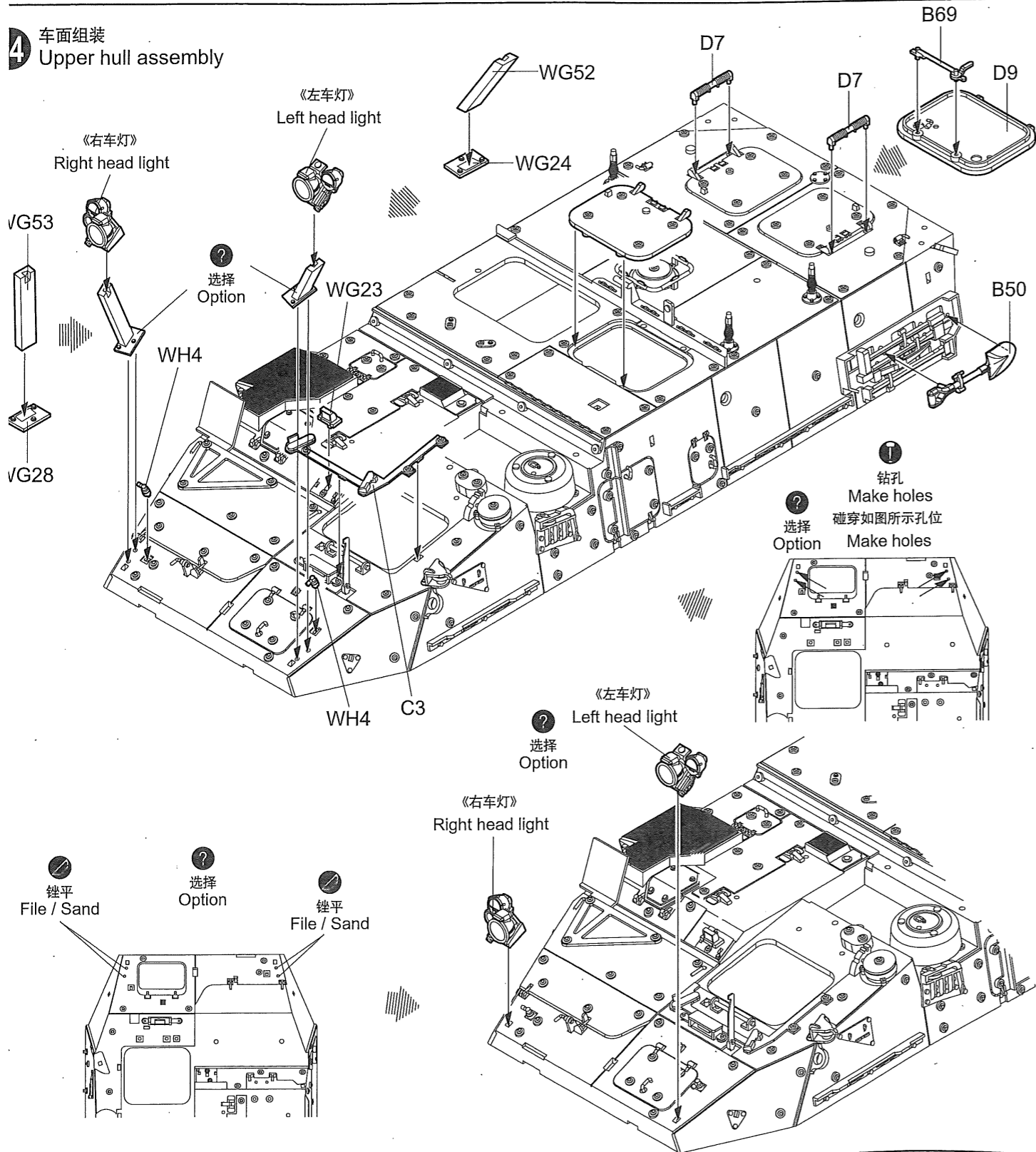
12 车面组装
Upper hull assembly



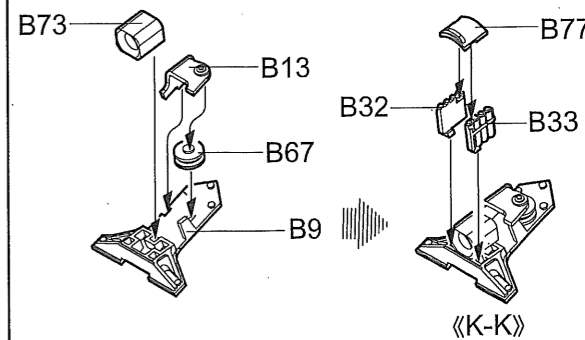
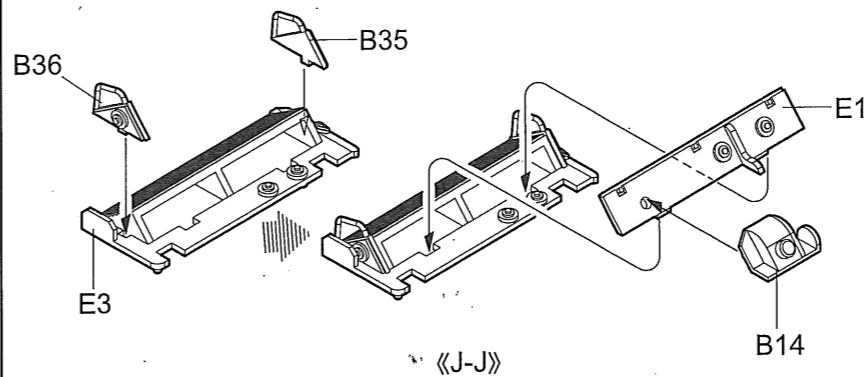
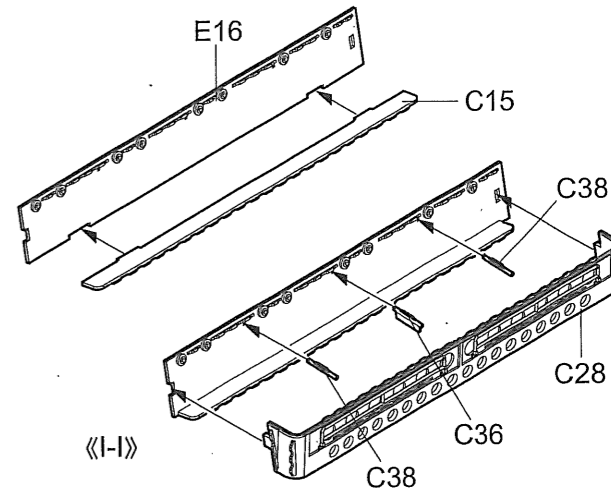
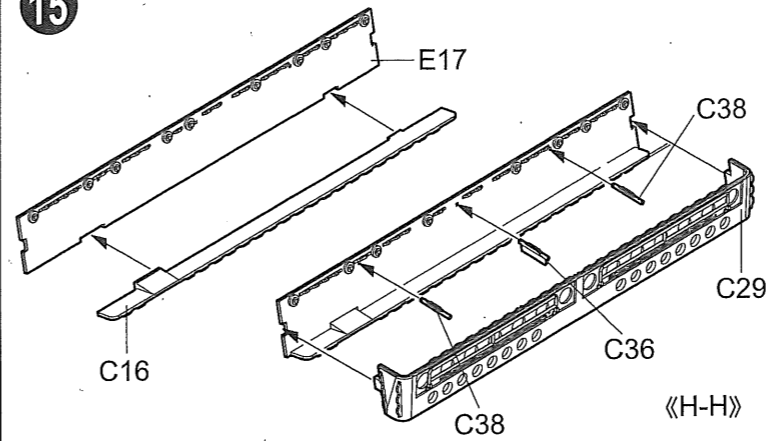
3 车灯组装
Head light assembly



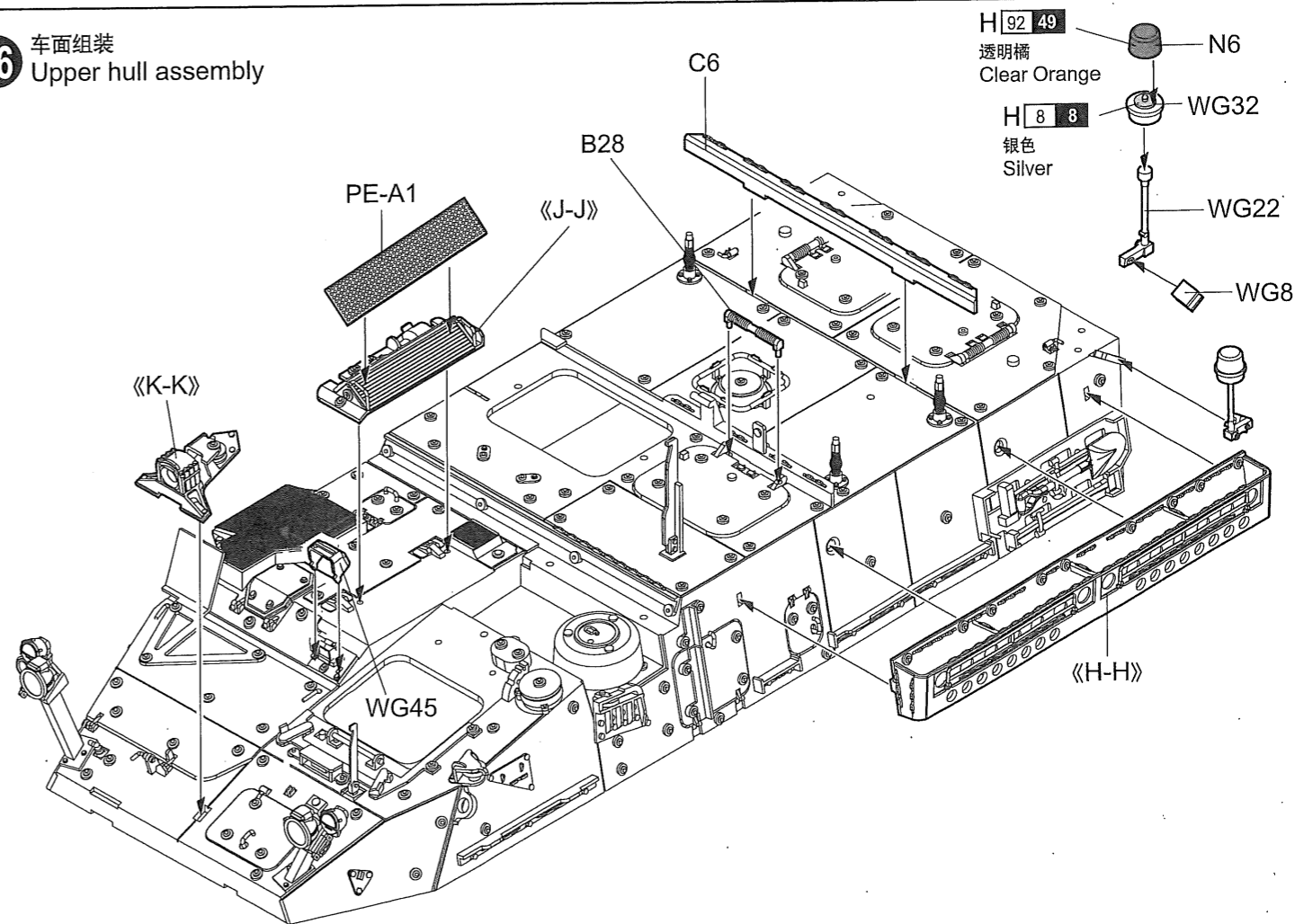
4 车面组装
Upper hull assembly



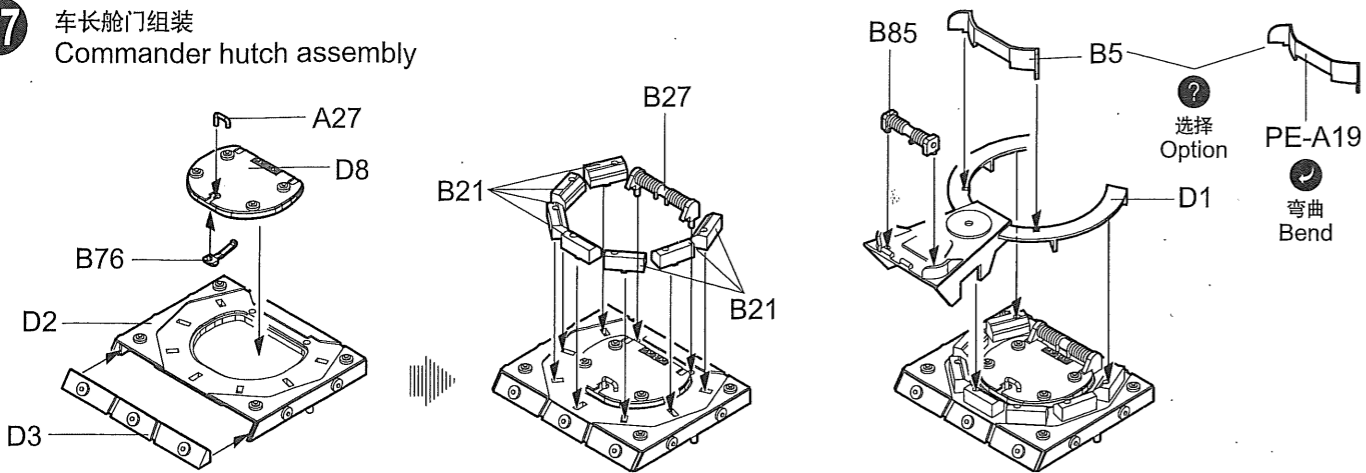
15



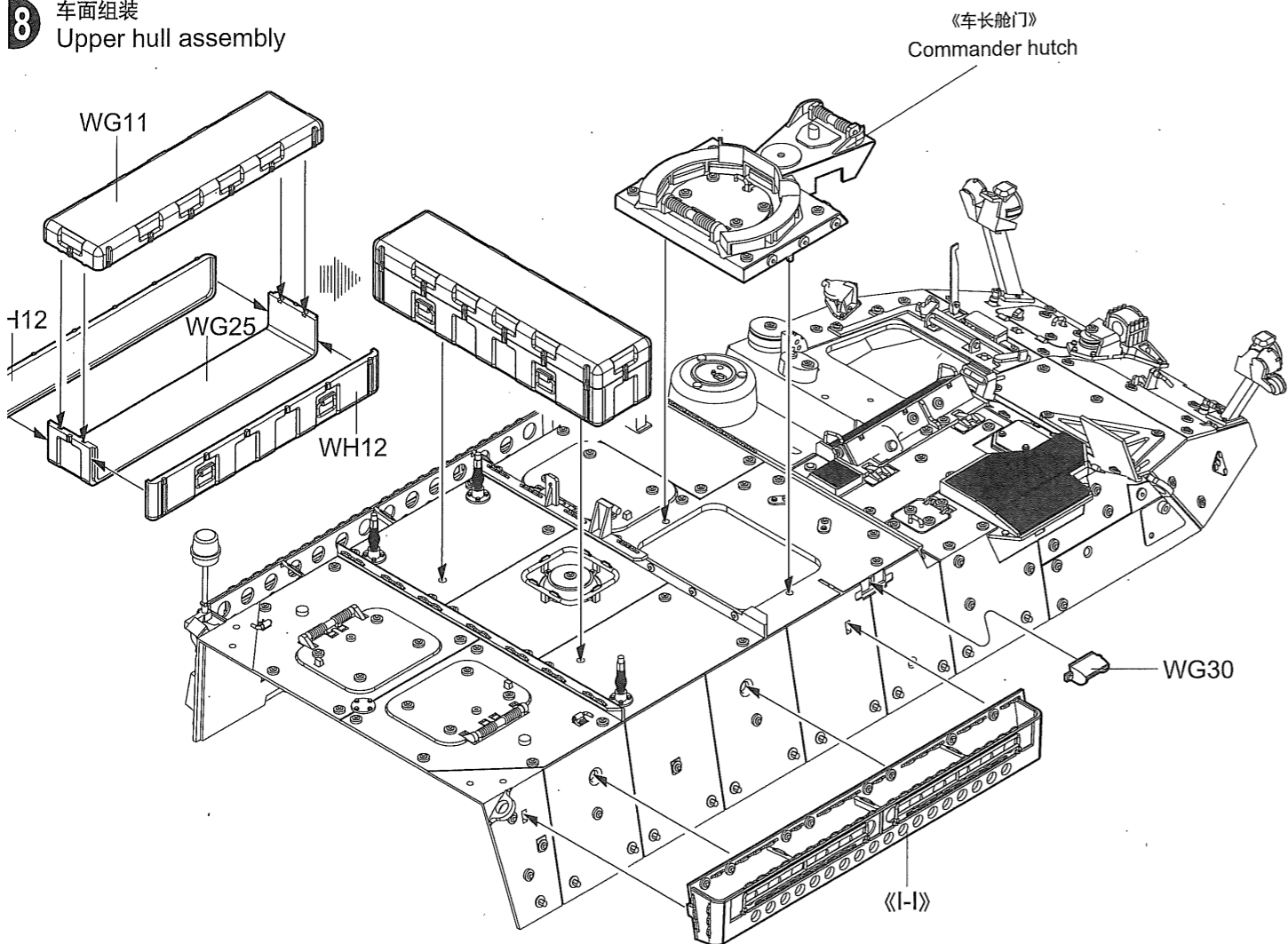
16 车面组装
Upper hull assembly



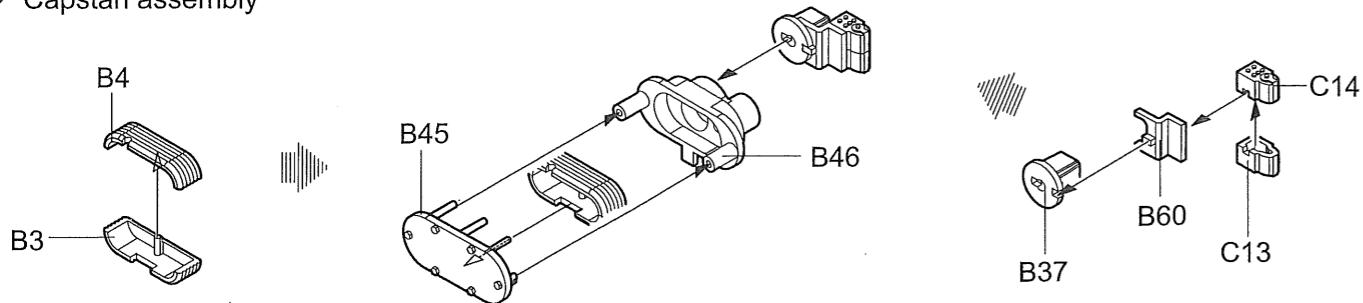
7 车长舱门组装
Commander hatch assembly



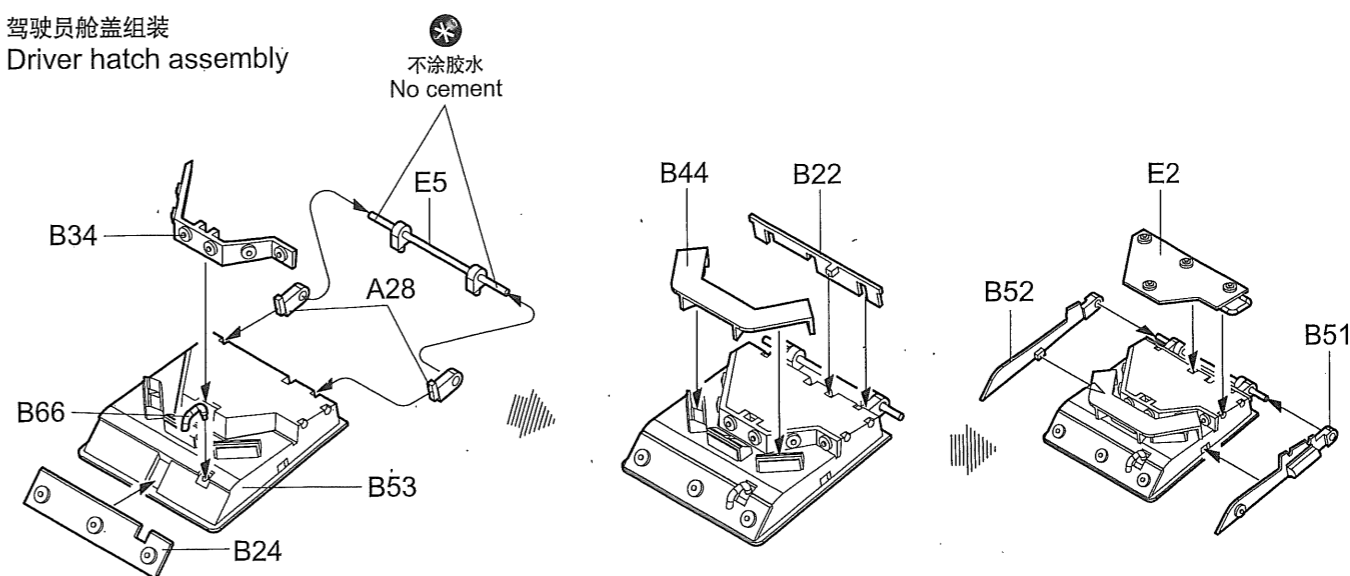
8 车面组装
Upper hull assembly



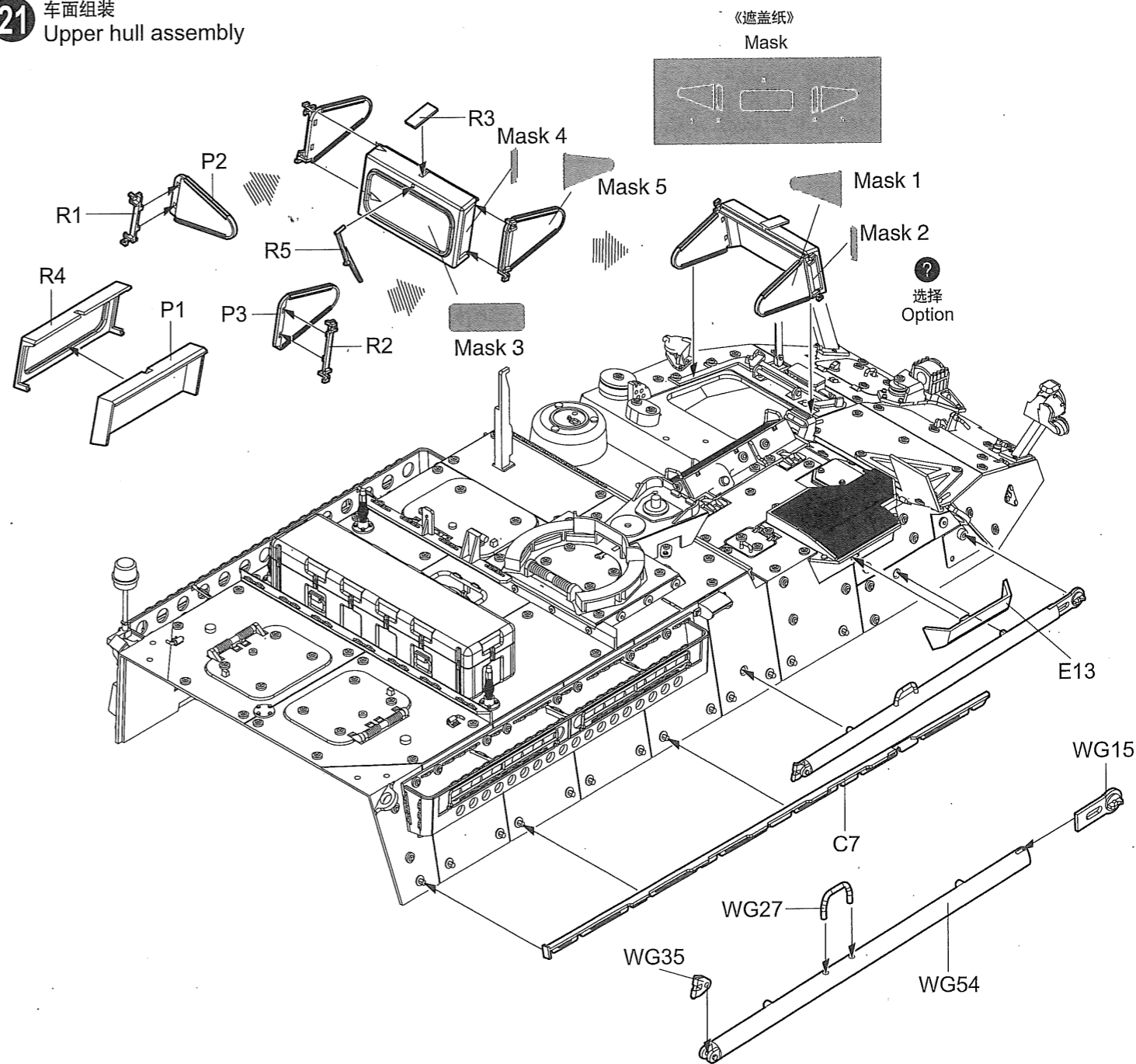
9 卷扬机组装
Capstan assembly



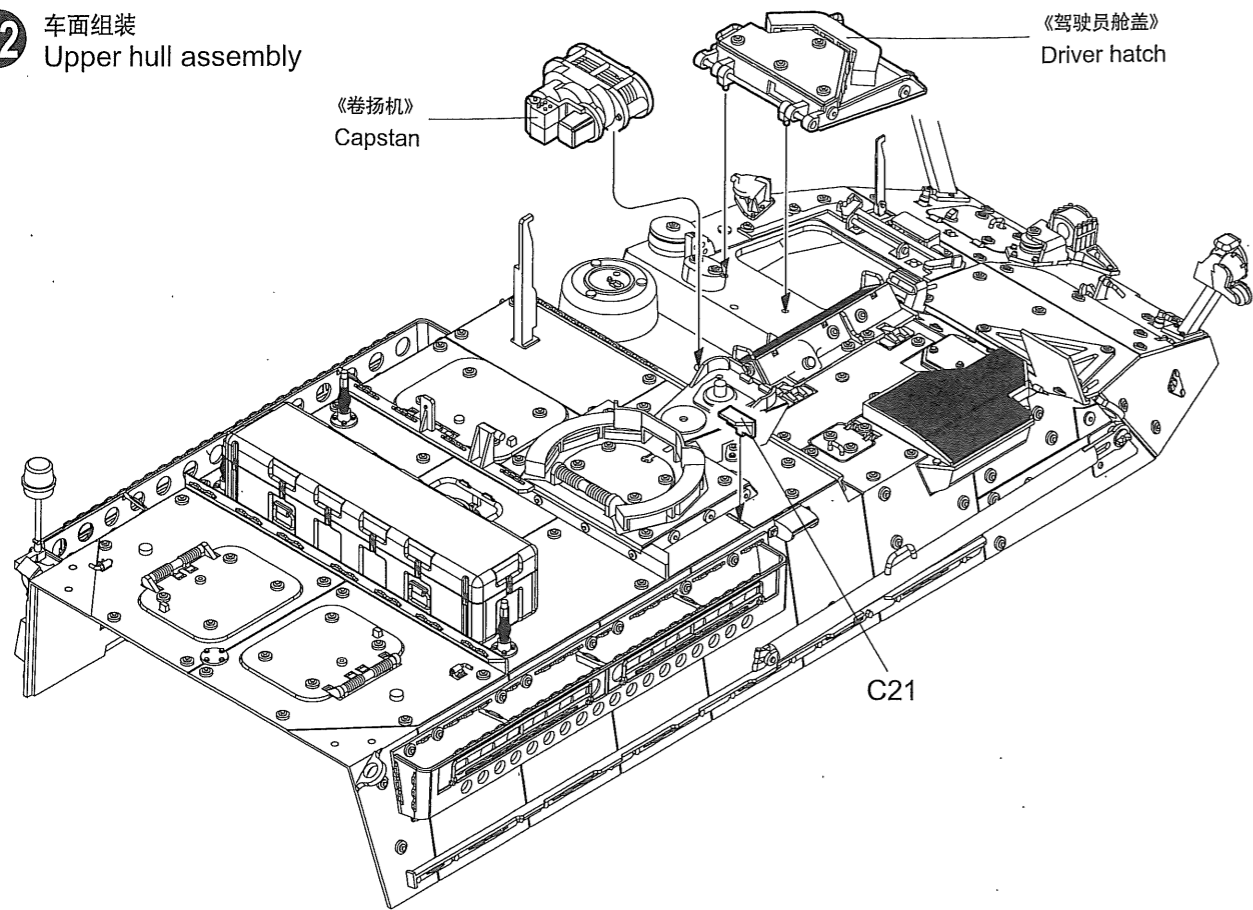
20 驾驶员舱盖组装
Driver hatch assembly



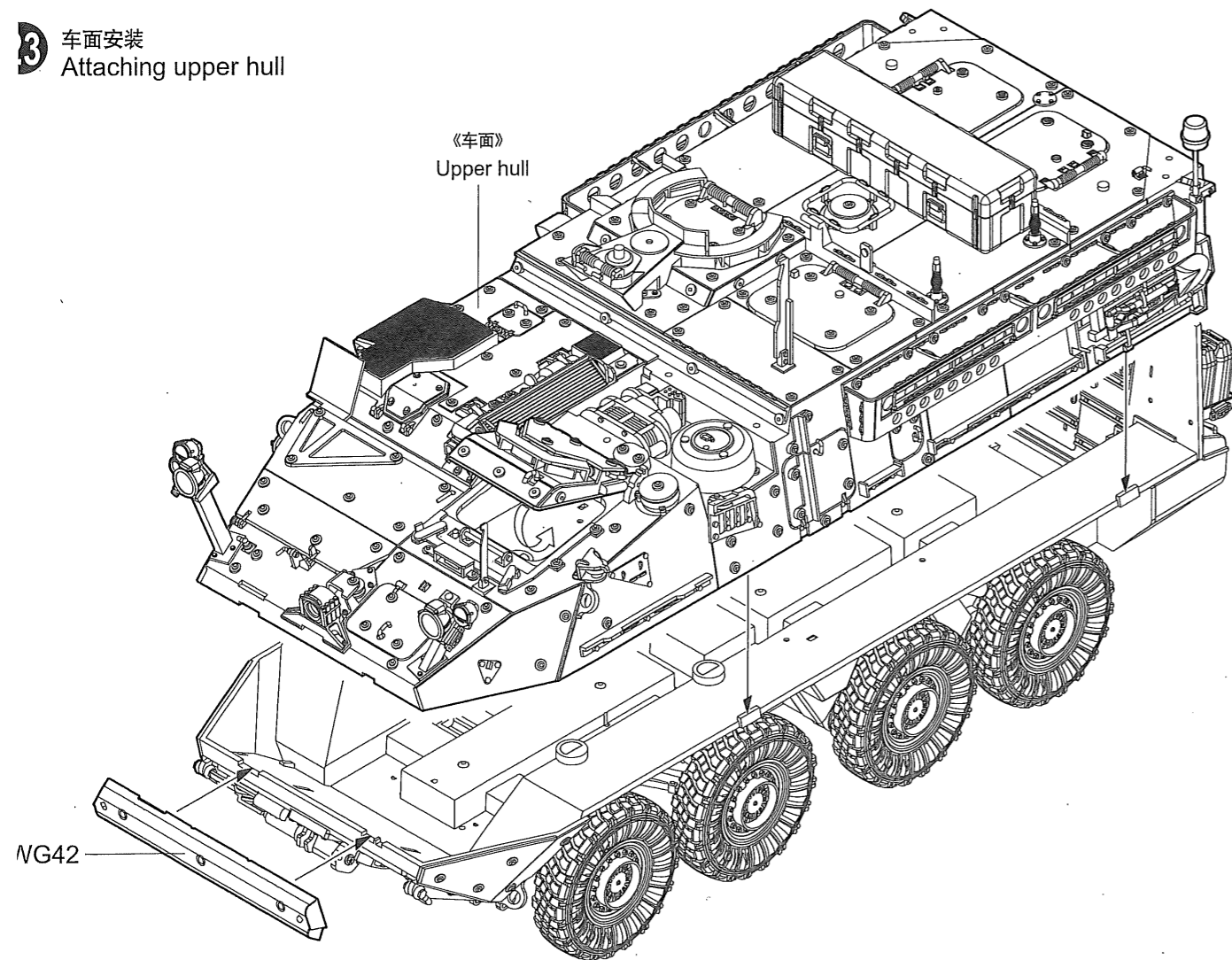
21 车面组装
Upper hull assembly



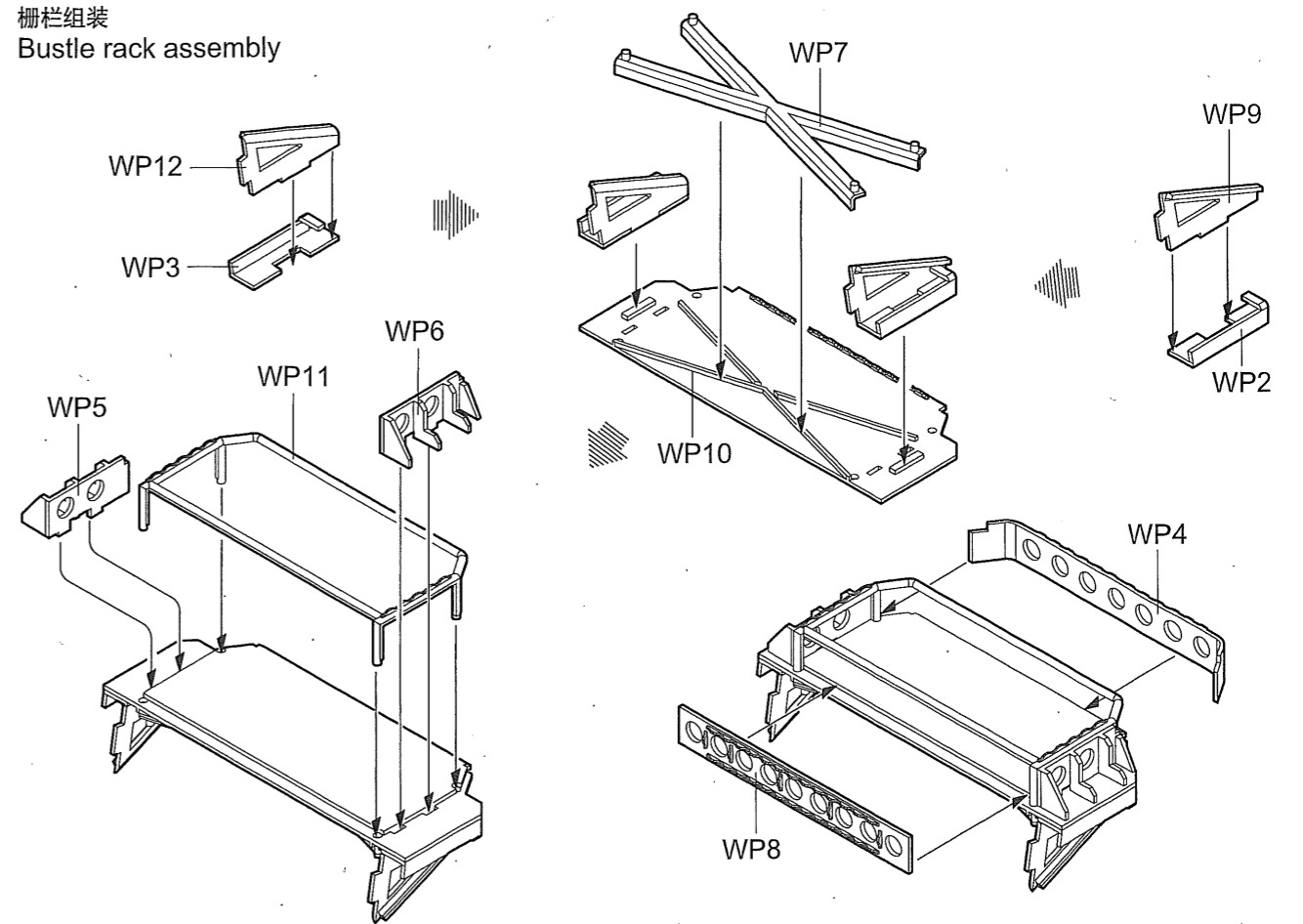
2 车面组装
Upper hull assembly



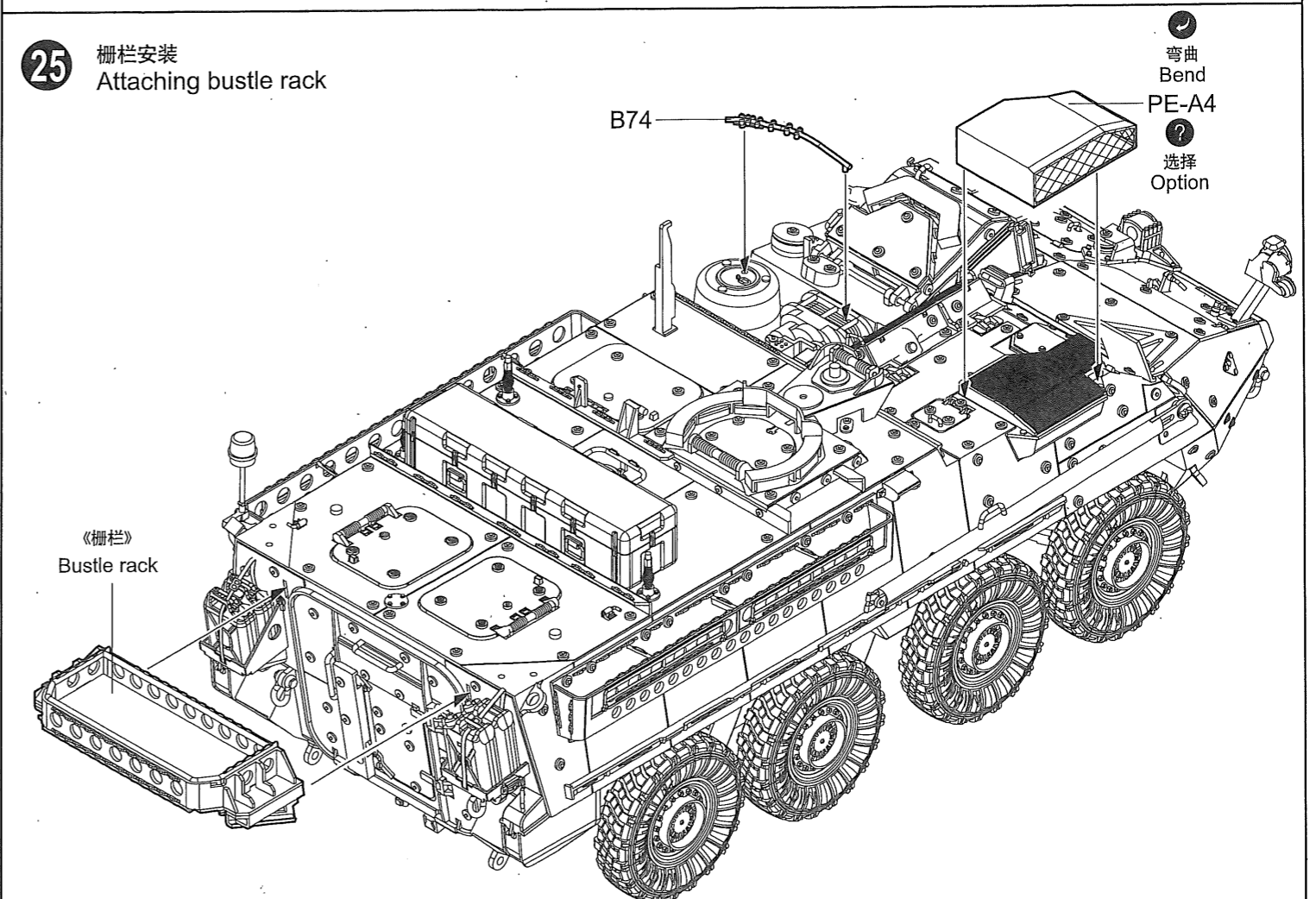
3 车面安装
Attaching upper hull



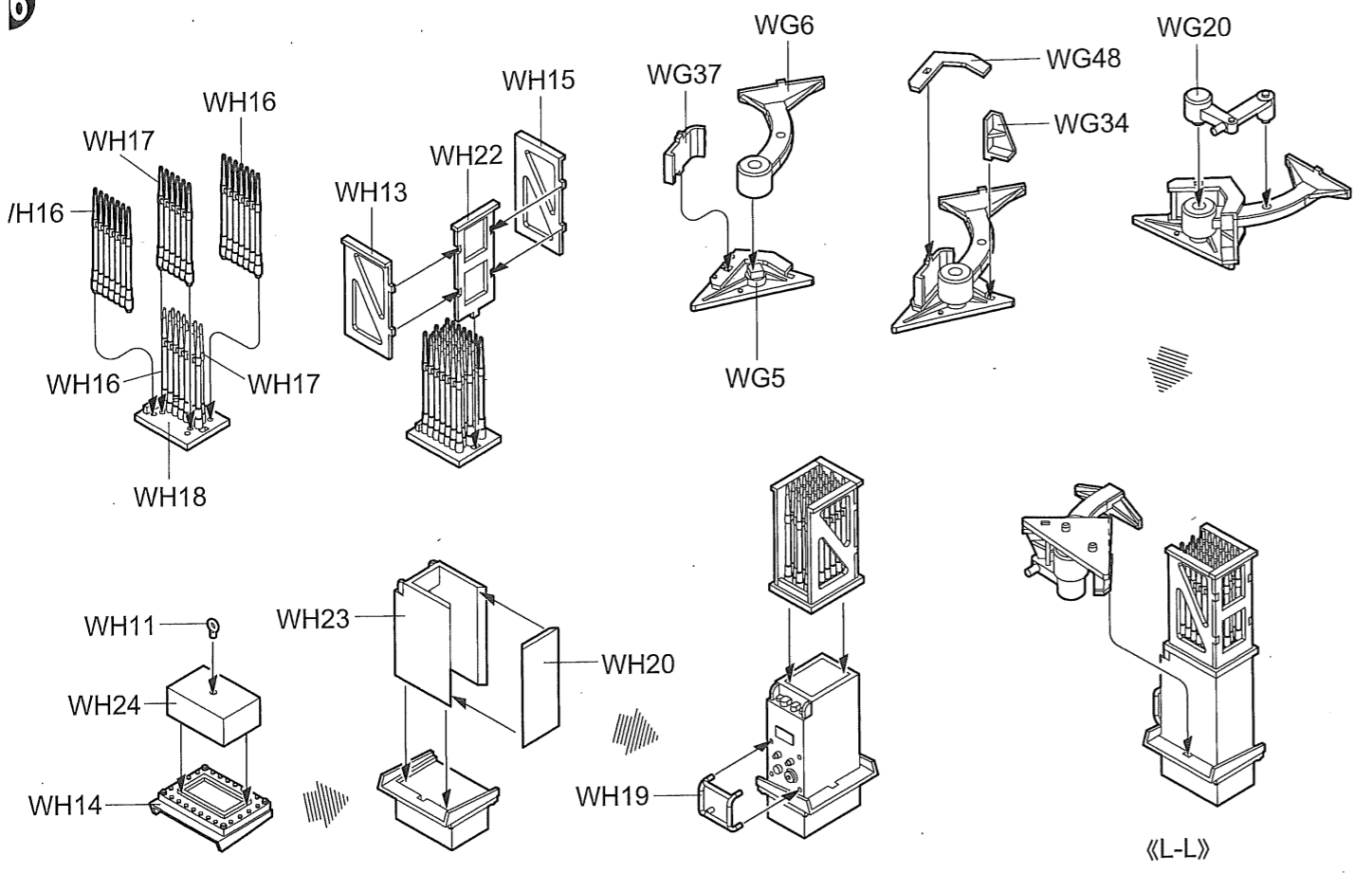
24 栅栏组装
Bustle rack assembly



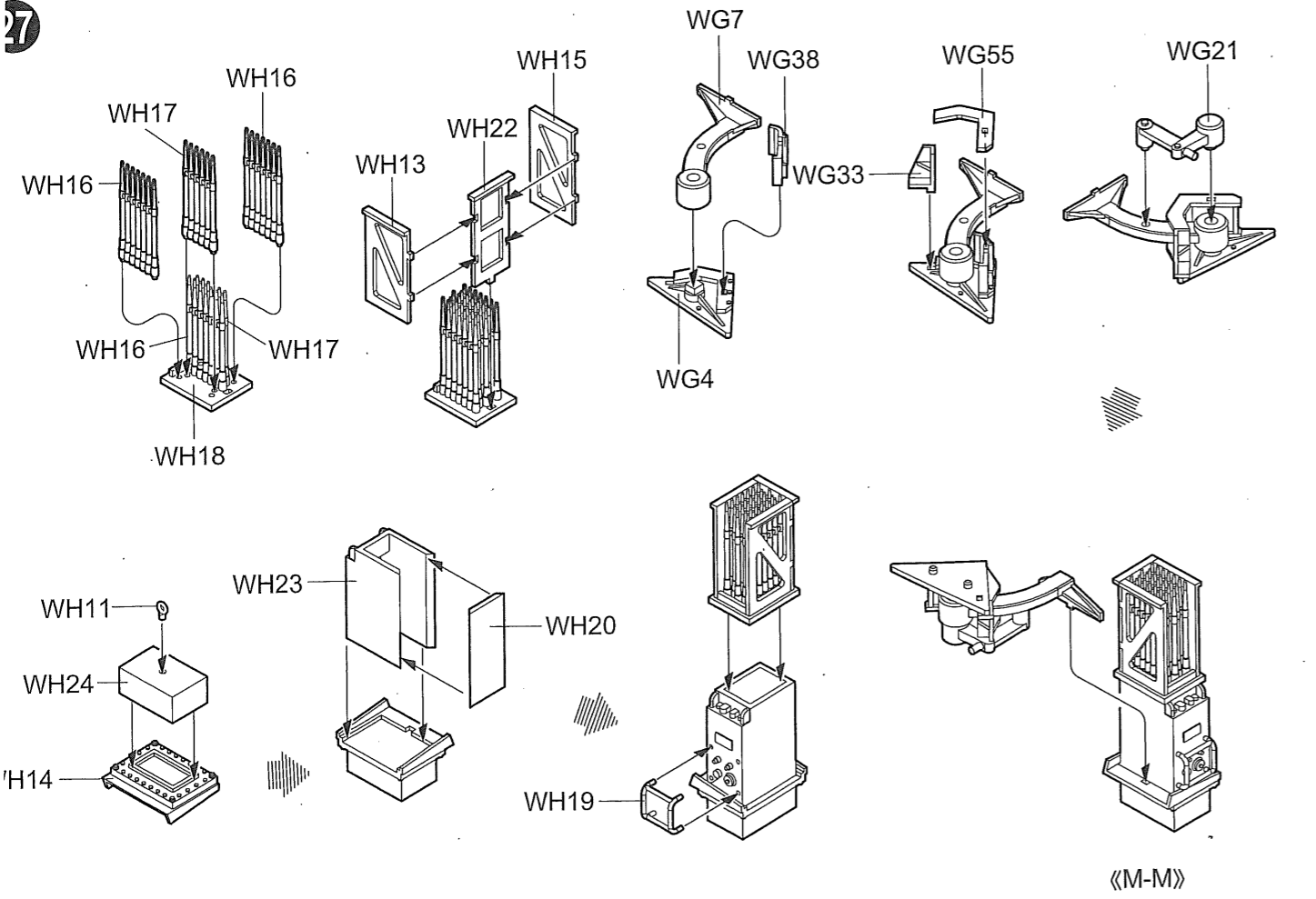
25 栅栏安装
Attaching bustle rack



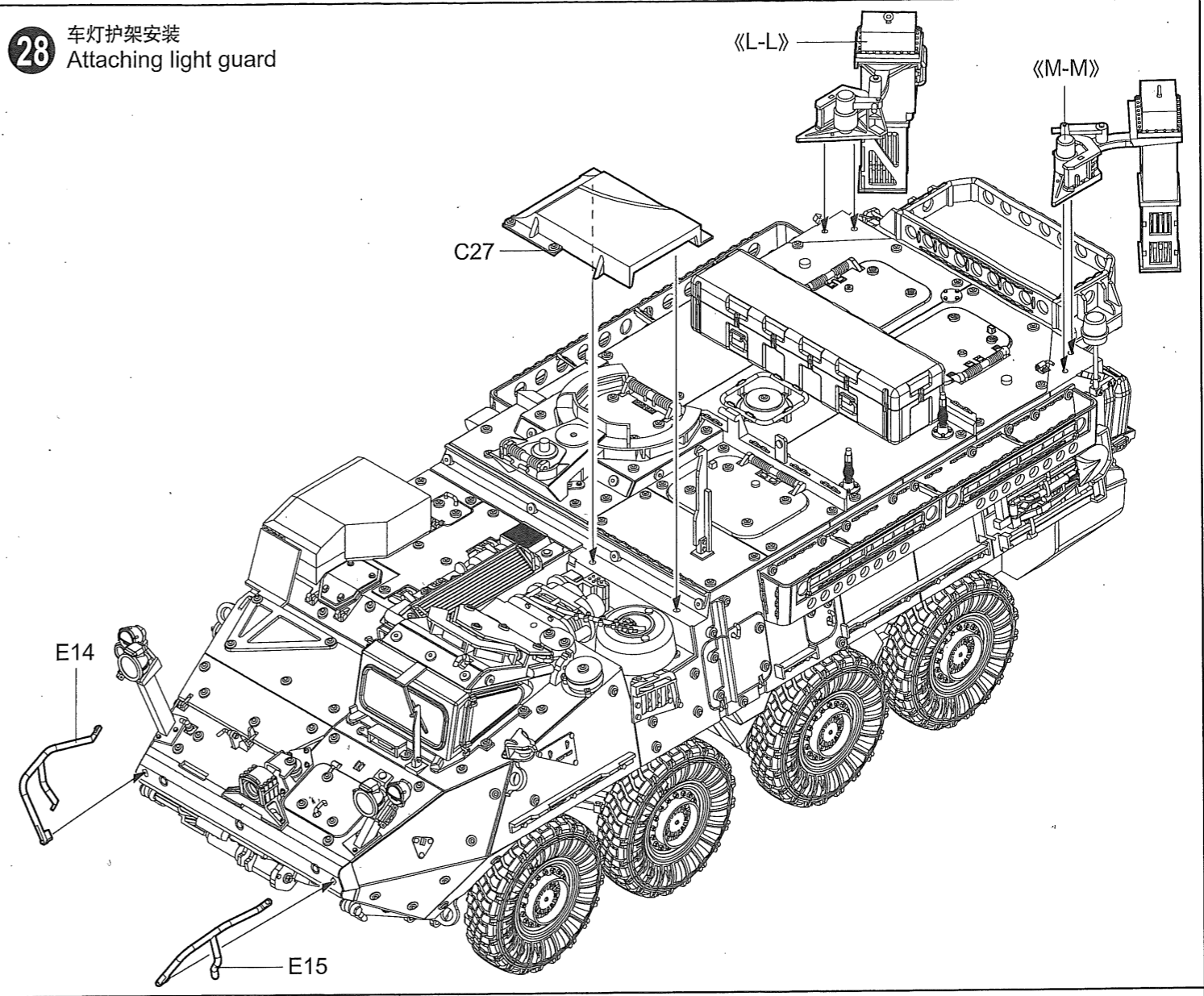
6



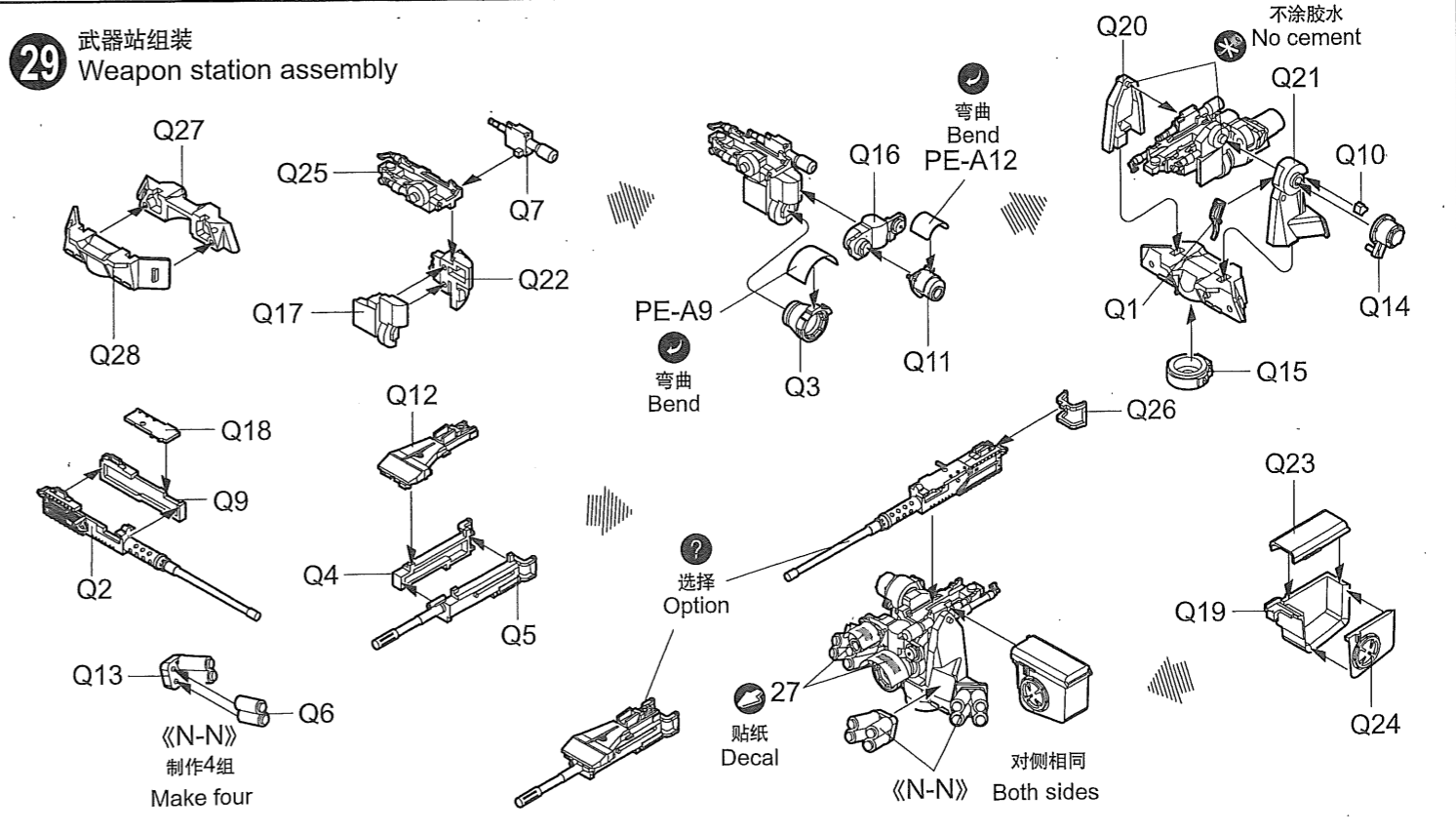
7



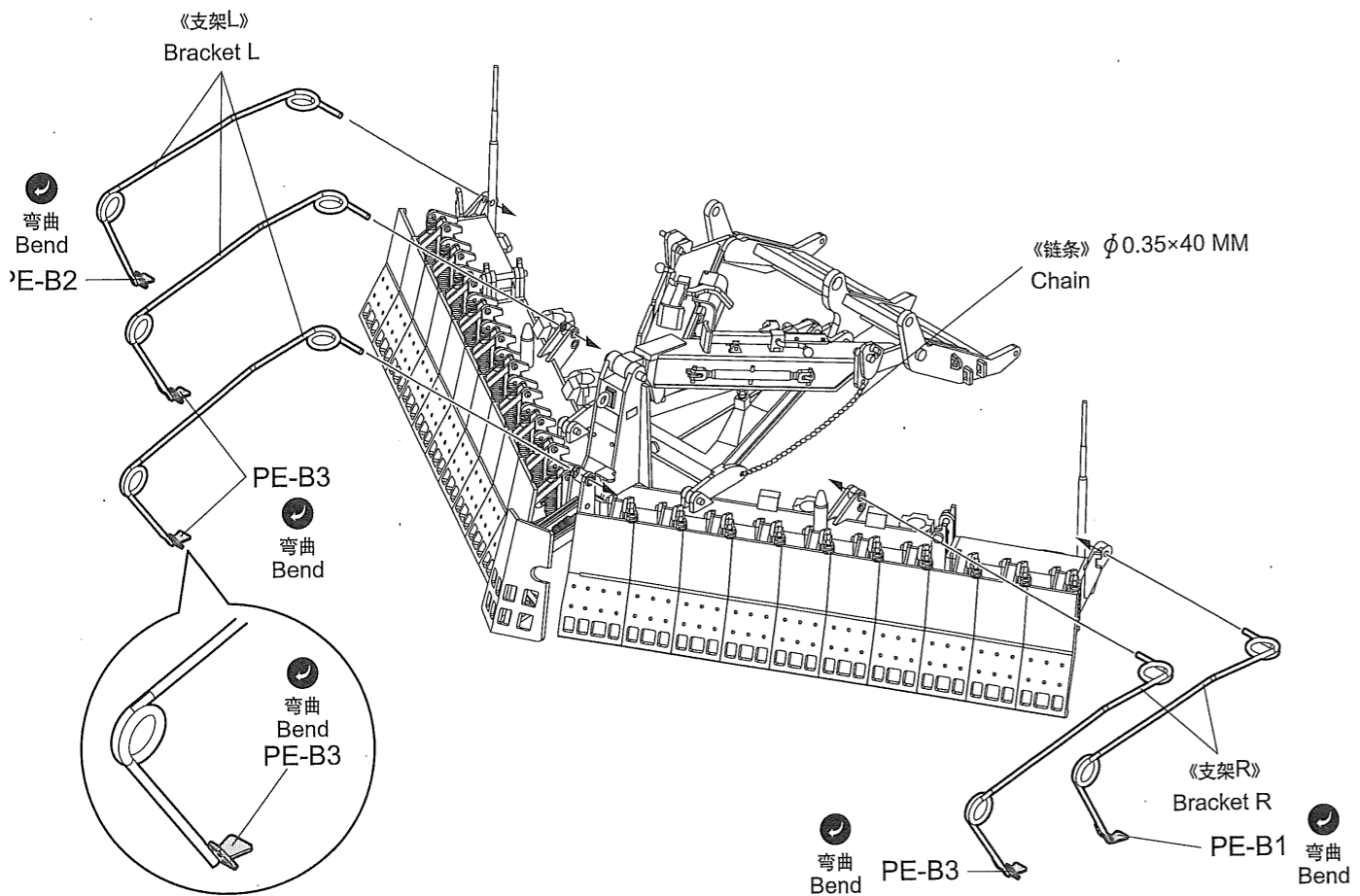
28 车灯护架安装
Attaching light guard



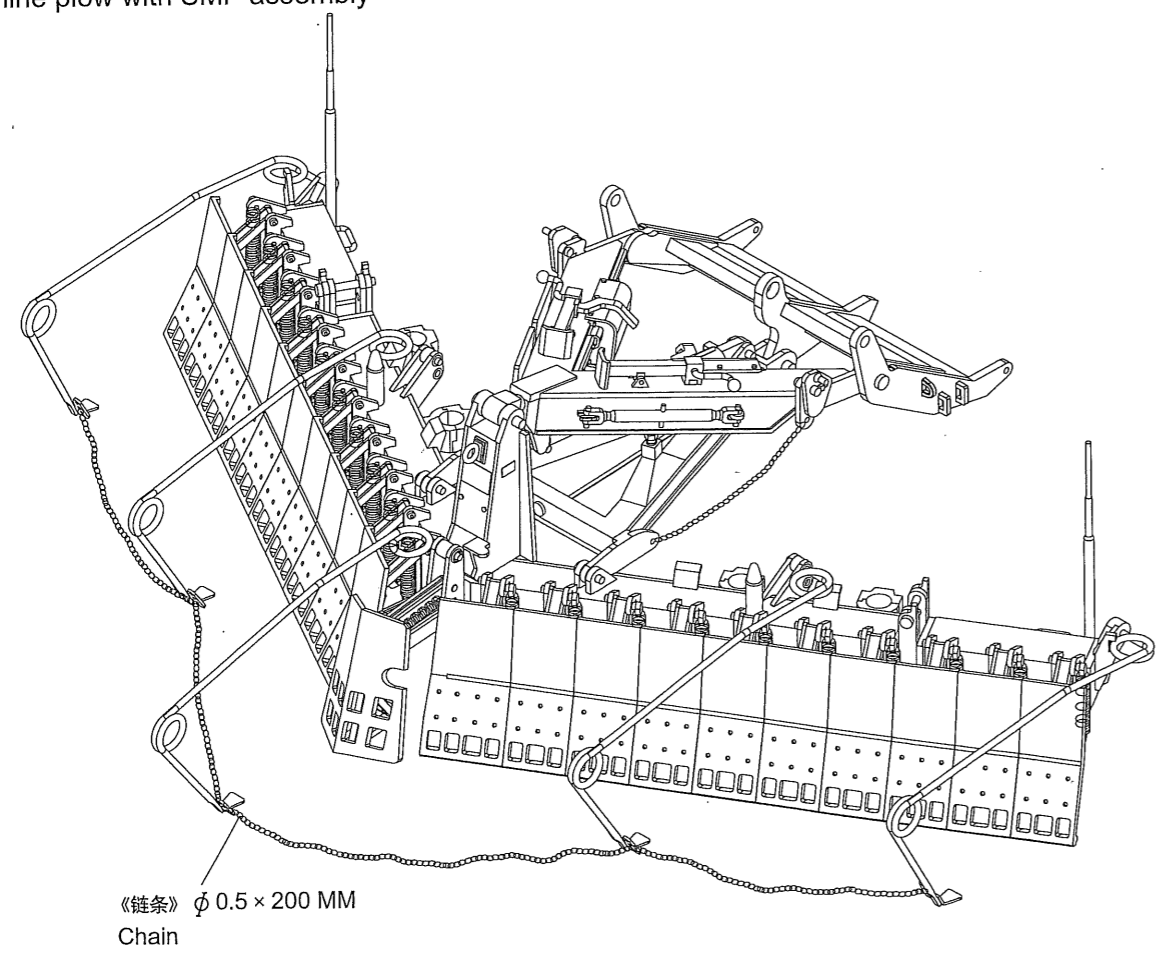
29 武器站组装
Weapon station assembly



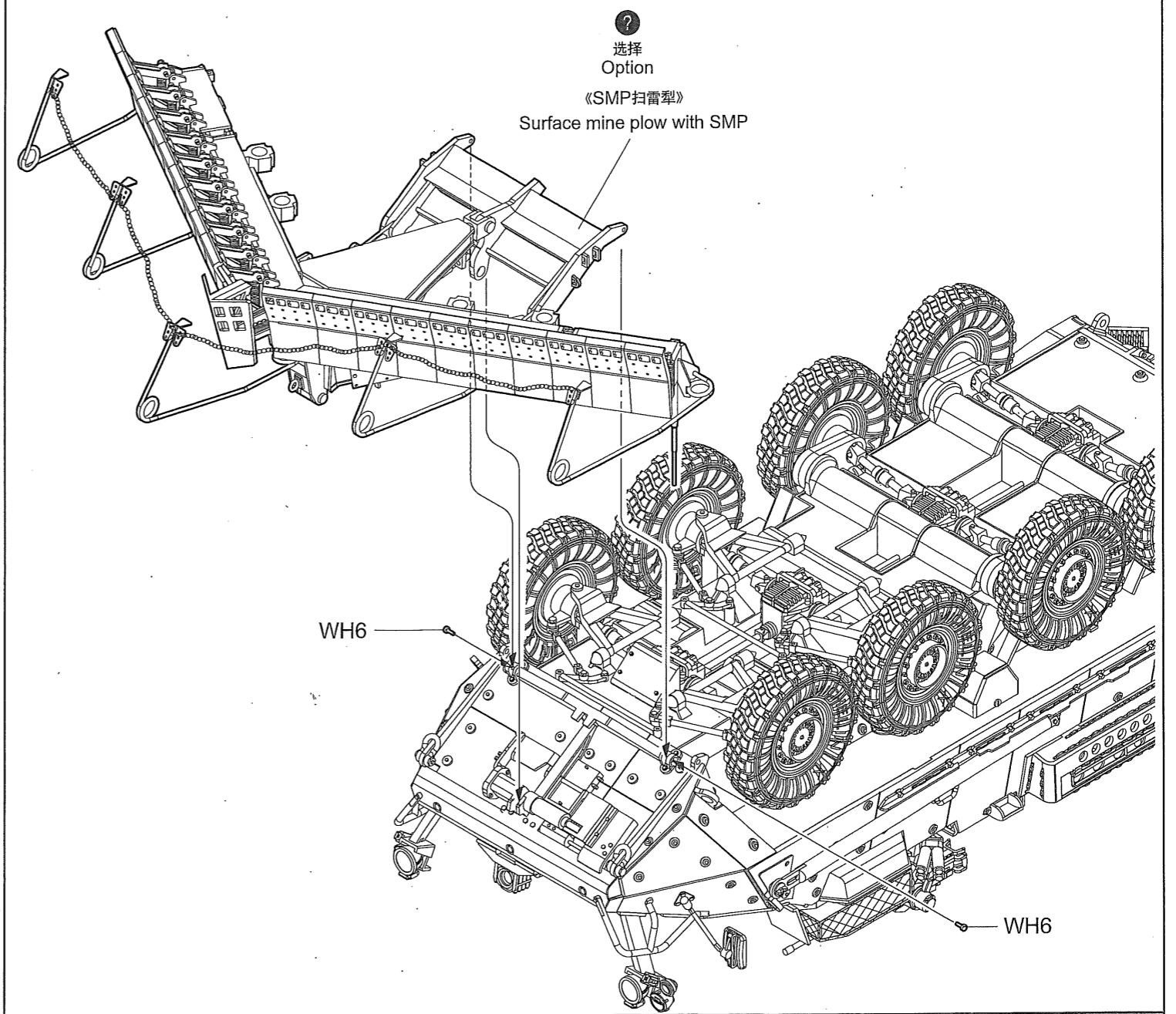
5 SMP扫雷犁组装
Surface mine plow with SMP assembly



6 SMP扫雷犁组装
Surface mine plow with SMP assembly

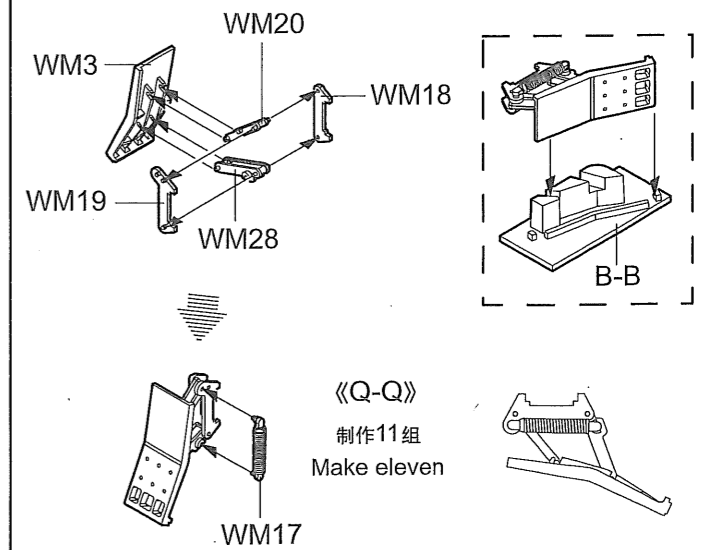
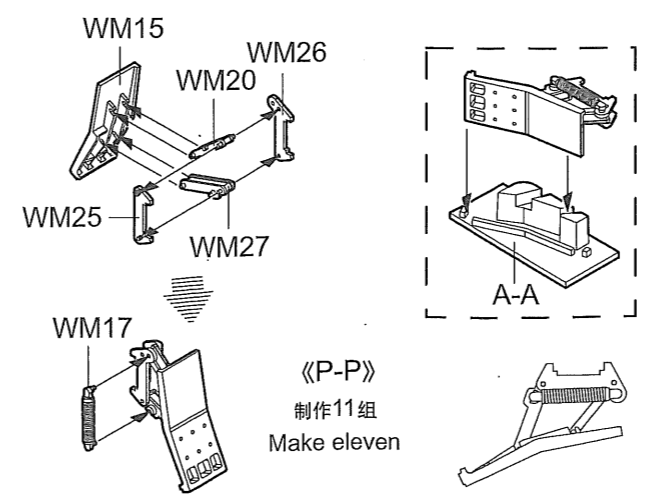


7 SMP扫雷犁安装
Attaching surface mine plow with SMP

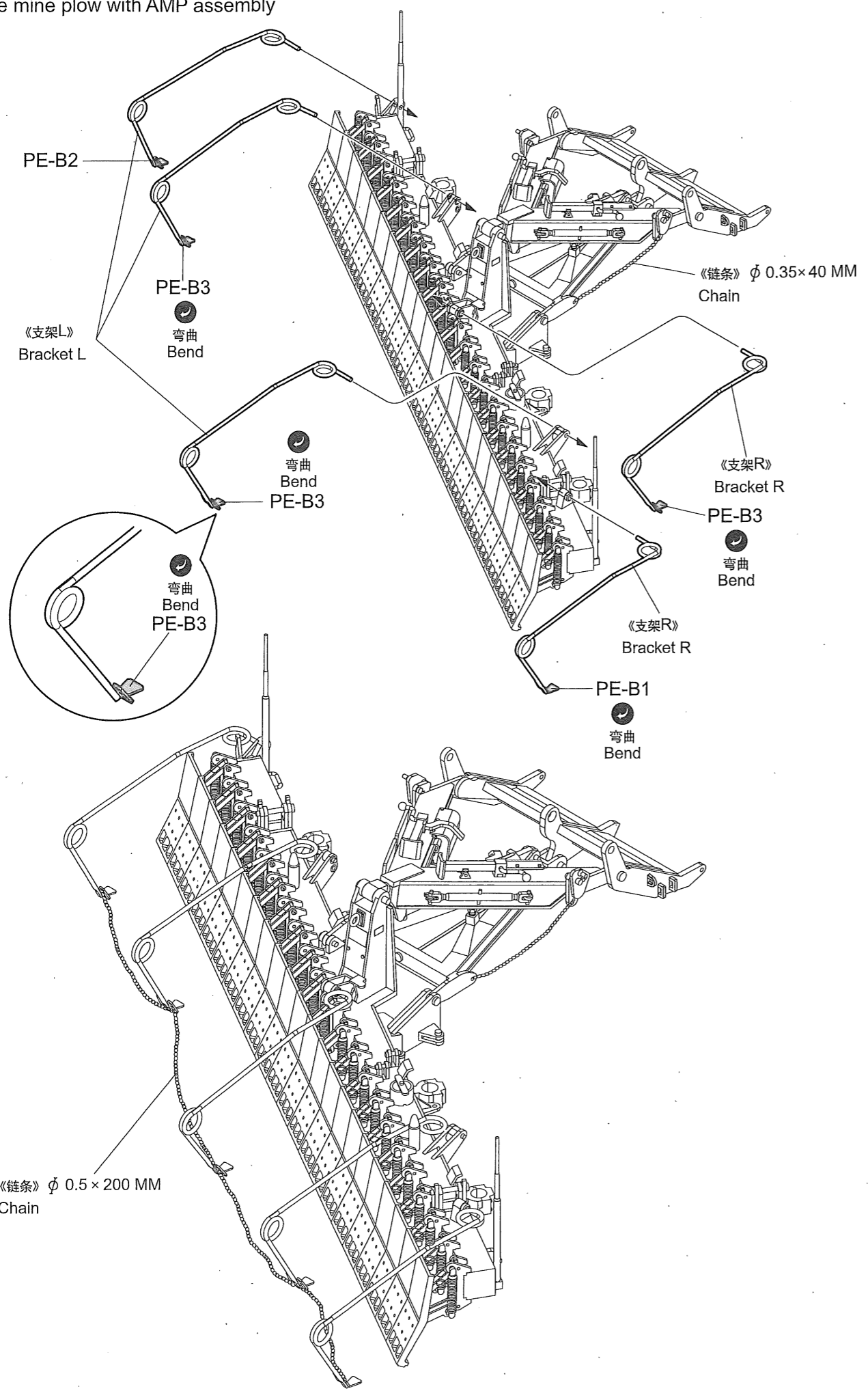


选择 Option
AMP扫雷犁组装(步骤1 — 步骤6)
Surface mine plow with AMP assembly (Step one to step six)

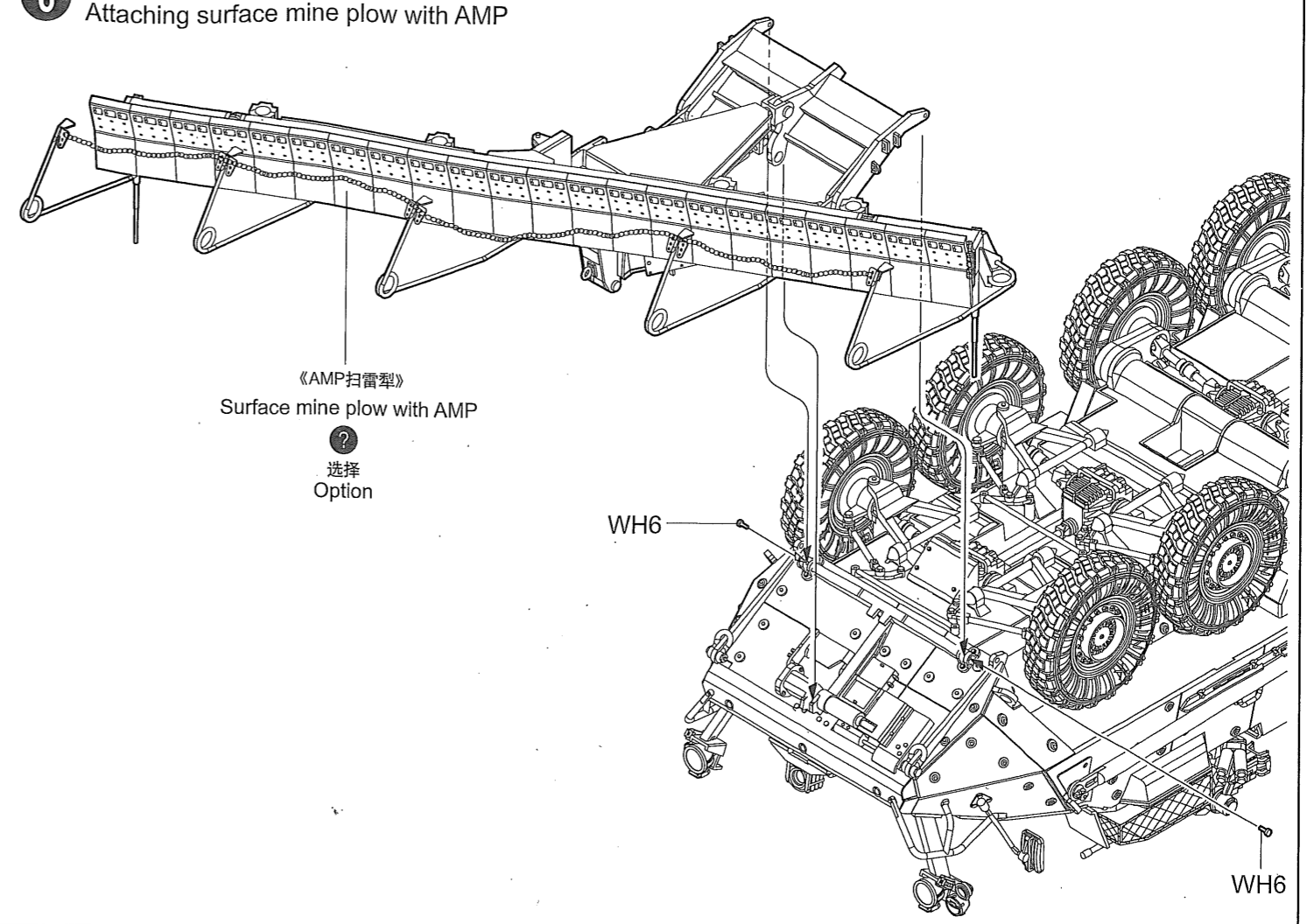
1 AMP扫雷犁组装
Surface mine plow with AMP assembly



5 AMP扫雷犁组装
Surface mine plow with AMP assembly



6 AMP扫雷犁安装
Attaching surface mine plow with AMP



33 捆扎带组装
Strapping assembly

